

# PARTS CATALOGUE

## LIME AND FERTILIZER SPREADER

### DIFE CIVEFLEX

Code: 0501091066



Series: S-0411

Rev.: 00

Date Rev.: JULHO/2013

ORIGINAL PARTS  
CIVEMASA

**civemasa**

# PRODUCTS

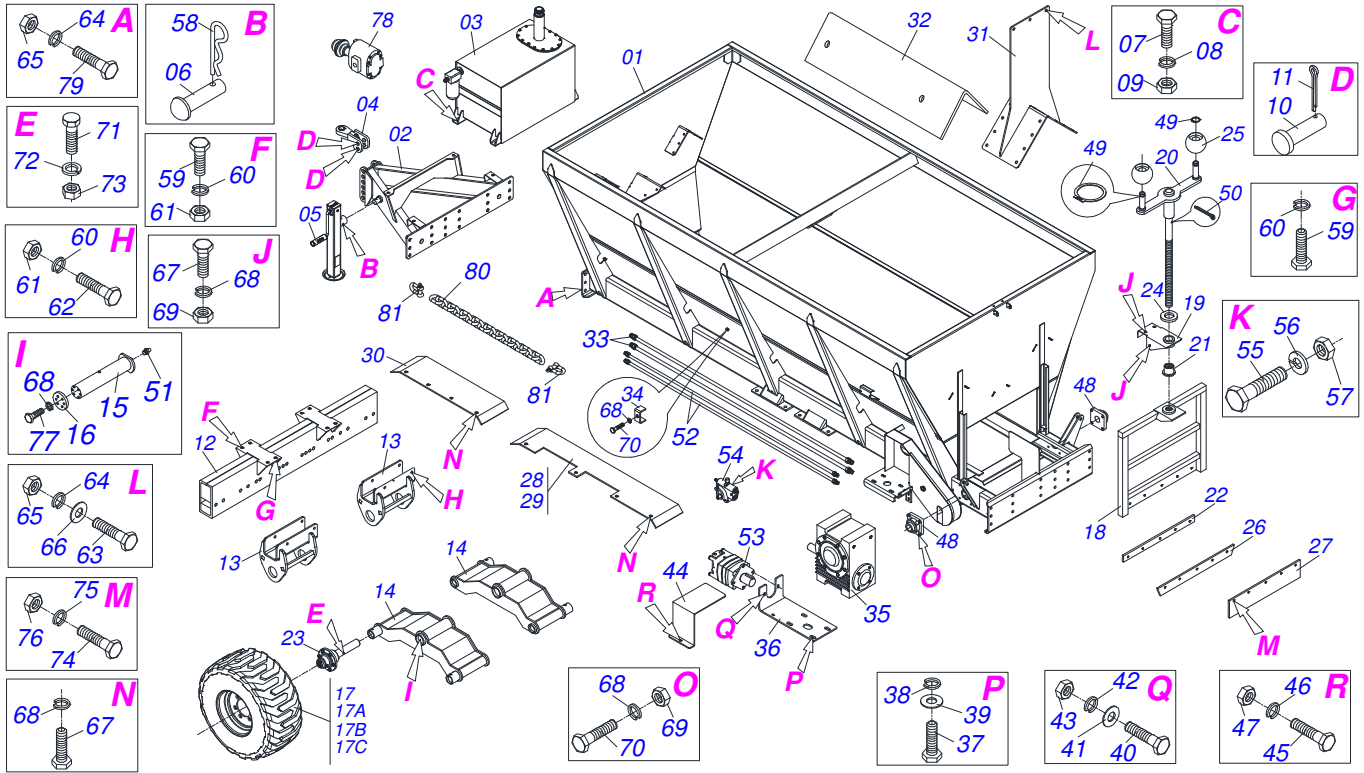
Code	Description
0121330010	DIFE CIV-FLEX 12000 L/D S-0913
0121330008	DIFE CIV-FLEX 12000 L/T S-0913
0121330009	DIFE CIV-FLEX 12000 L/T/D S-0913
0121330012	DIFE CIV-FLEX 12000 L/T/D S/T S0913
0121330011	DIFE CIV-FLEX 12000 T/D S-0913
0121330002	DIFE CIV-FLEX 12000D DESM 61950029
0121330006	DIFE CIV-FLEX 12000D/T 61950056
0121330007	DIFE CIV-FLEX 12000L C/DEF 61950065
0121330001	DIFE CIV-FLEX 12000L DESM 61950019
0121330004	DIFE CIV-FLEX 12000L/D/T 61950047
0121330005	DIFE CIV-FLEX 12000L/D/T D 61950074
0121330003	DIFE CIV-FLEX 12000T DESM 61950038

## ATTENTION: **IMPORTANT**

*CIVEMASA RESERVES THE RIGHT AT ANY TIME TO MAKE IMPROVEMENTS IN THE DESIGN, MATERIAL OR SPECIFICATIONS OF MACHINERY, EQUIPMENT OR PARTS WITHOUT THEREBY BECOMING LIABLE TO MAKE SIMILAR CHANGES IN MACHINERY, EQUIPMENT OR PARTS PREVIOUSLY SOLD.*

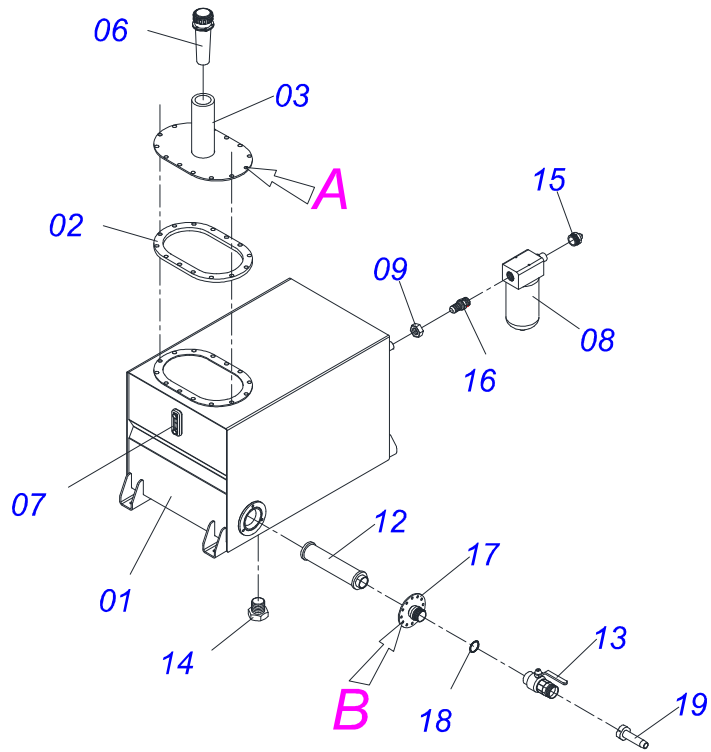
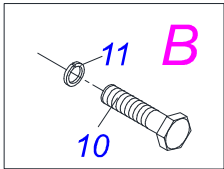
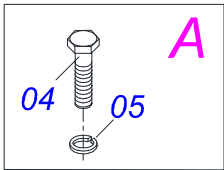
# INDEX

0909094583	BUCKET	.....	1
0511048011	TANK	.....	2
0501055850	CARRYNG WHEEL HUB ASSEMBLY SET	.....	3
0511048015	PUMP ASSEMBLE	.....	4
0501059150	MAT	.....	5
0501059390	KIT DEFLECTOR	.....	6
0909094578	ASSEMBLY TRANSMISSION	.....	7
0909094579	SET DISTRIBUTOR	.....	8
0909094580	HYDRAULIC SCHEME	.....	9
0909094581	SET DISTRIBUTOR	.....	10
0501059151	BEARING ASSEMBLY	.....	11
0511045115	BEARING ASSEMBLY	.....	12
0511045116	BEARING ASSEMBLY	.....	13
0511048451	HYDRAULIC CYLINDER	.....	14
0909094582	HYDRAULIC SCHEME	.....	15

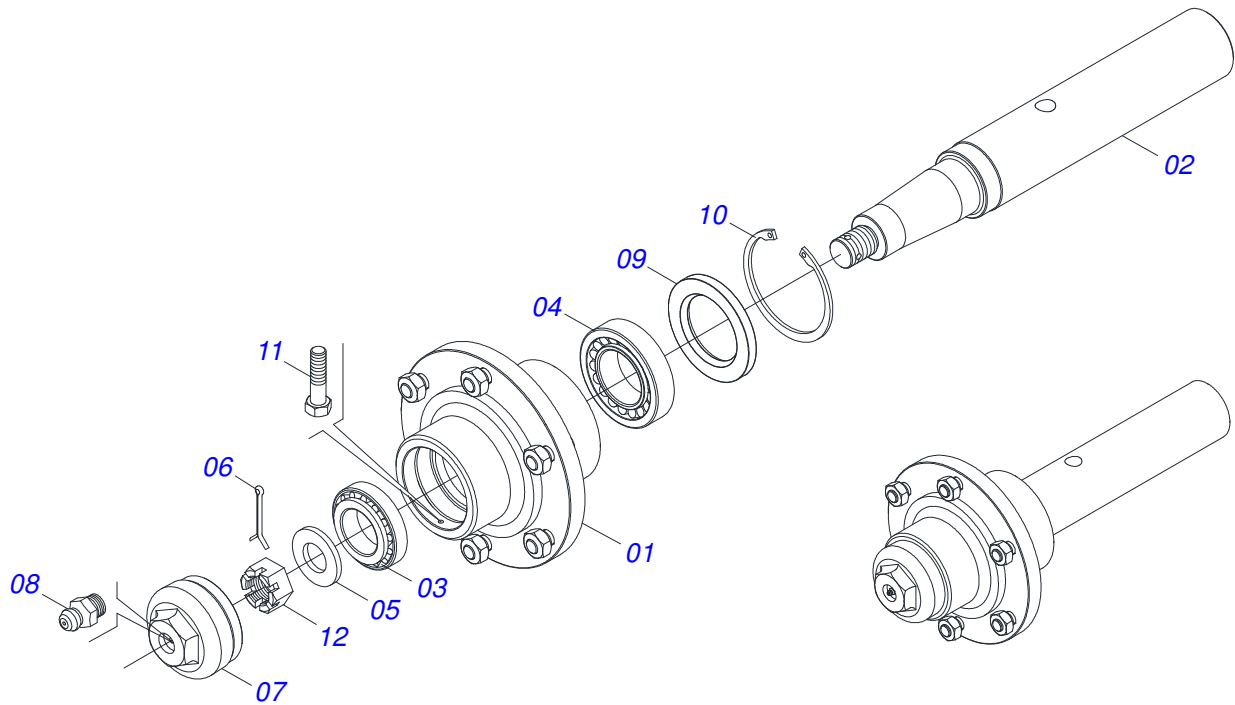


Item	Code	Description	QT
01	0521060843	BUCKET	01
02	0521060844	DRAWBAR SET	01
03	0511048011	TANK	01
04	0511060324	HOOK HITCH	01
05	0503062157	HEADER JACK	01
06	0521010549	COUPLING SHAFT	01
07	0503010920	1/2" X 1.1/2" BOLT	04
08	0503010019	1/2" SPRING WASHER	04
09	0503010028	1/2" NUT	04
10	0521013914	COUPLING SHAFT	02
11	0503010131	3/16" X 1-1/2" COTTERPIN	02
12	0501078664	SUPPORT	01
13	0521060845	ASSEMBLY	02
14	0511065912	ARM	02
15	0511062995	PIN	02
16	0531012263	EXTENSION	02
17	0501055887	WHEEL	04
17A	0503013119	CANVAS TIRE	04
17B	0503012112	400/60 - 15.5 TR 15 INNER TIRE	04
17C	0503012916	W-13 X 16,5 HOOP WHEEL	04
18	0521060838	COVER	01
19	0521060841	SUPPORT	01
20	0521060877	JACK	01
21	0531012244	BUSHING	04
22	0561013498	RUBBER	02
23	0501055850	CARRYNG WHEEL HUB ASSEMBLY SET	02
24	0561013651	WASHER	01
25	0561013652	BALL	02
26	0561013497	RUBBER	01
27	0561013499	RUBBER	01
28	0561017700	GUIDE	01

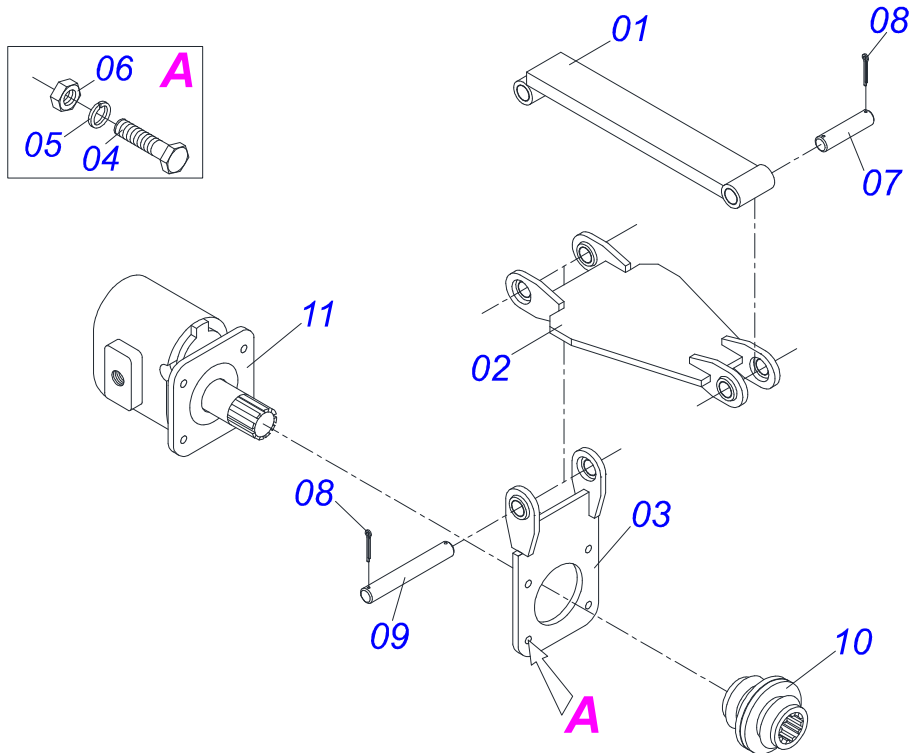
Item	Code	Description	QT
29	0561017701	GUIDE	01
30	0561013493	GUIDE MAT	02
31	0521060839	SUPPORT	01
32	0561013485	FRONT DEFLECTOR	01
33	0521060840	120010 HIDRAULYC TB DIFE	02
34	0541019763	FIXER OF THE TUBE	03
35	0503013636	K120 REDUCTOR	01
36	0561013576	MOTOR SUPPORT	01
37	0503014081	20X50 P.2,5 1K19124 BOLT	04
38	0503010408	7/8" SPRING WASHER	04
39	0501010076	FLAT WASHER	04
40	0501010077	1/2" X 2" BOLT	02
41	0511017302	FLAT WASHER	02
42	0503010019	1/2" SPRING WASHER	02
43	0503010060	1/2" NUT	02
44	0541019655	PROTECTION DFT	01
45	0503011087	3/8" X 1" BOLT	01
46	0503010025	3/8 SPRING WASHER	01
47	0503010026	3/8" NUT	01
48	0503015404	ROLMAX BEARING ASSEMBLY WITH BEARING	02
49	0503010302	501019 SEAL RING	02
50	0503010010	1/4" X 2.1/2" COTTERPIN	01
51	0503010002	1800 GREASE FITTING	02
52	0521063907	HYDRAULIC TUBE	02
53	0503015403	MOTOR	01
54	0503015410	VALVE	01
55	0503015323	1/4 UNC X 3.1/2 BOLT	02
56	0503010143	SPRING WASHER	02
57	0503010144	1/4" NUT	02
58	0503030168	HAIR PIN	01
59	0503015322	BOLT 7/8	08
60	0503010408	7/8" SPRING WASHER	12
61	0503012221	SNC 7/8" ZIN 1K03106 NUT	08
62	0503011121	7/8" X 7" BOLT	04
63	0503011267	5/8" X 1.1/2" BOLT	03
64	0503010027	SPRING WASHER	15
65	0503010013	5/8" NUT	15
66	0541018213	FLAT WASHER	03
67	0501010161	1/2" X 1.1/4" BOLT	20
68	0503010019	1/2" SPRING WASHER	47
69	0503012241	SNC 1/2" ZIN 1K03068 NUT	16
70	0501010155	1/2" X 1" BOLT	11
71	0503011084	3/4" X 5" BOLT	04
72	0503010023	SPRING WASHER	12
73	0503012183	SNC 3/4" ZIN 1K03097 NUT	04
74	0503010363	5/16" X 1" BOLT	05
75	0503010179	SPRING WASHER	05
76	0503010337	5/16" NUT	05
77	0503011082	C1/2" X 1.3/4" BOLT	12
78	0511048015	PUMP ASSEMBLE	01
79	0503010232	5/8" X 1.3/4" BOLT	12
80	0503014120	CHAIN	01
81	0503014321	CABLE STEEL SHACKLE	02



Item	Code	Description	QT
001	0511069572	TANK BODY	01
002	0503033007	JOINT RUBBER	01
003	0511069571	TANK PROLONG	01
004	0503010295	5/16" X 5/8" BOLT	14
005	0503010179	SPRING WASHER	14
006	0503015407	AIR FILTER	01
007	0503014246	VISOR OIL LEVEL	01
008	0503032555	RETURNING FILTER	01
009	0501010594	1" NUT	01
010	0503015321	3/8 UNC X 5/8 C S G.2 ZN BOLT	03
011	0503010025	3/8 SPRING WASHER	03
012	0503015406	SUCTION FILTER	01
013	0503015408	BALL VALVES	01
014	0503031604	1/2" BSP PLUG	01
015	0561013560	TERMINAL	01
016	0551011328	1-1/2" NIPPLE	01
017	0501078665	TUBE TO REGISTO	01
018	0503010127	2-238 N 3000-7B O'RING	01
019	0561014304	HOSE NIPPLE	01
020	3402301204	OIL HYDRAULIC	**

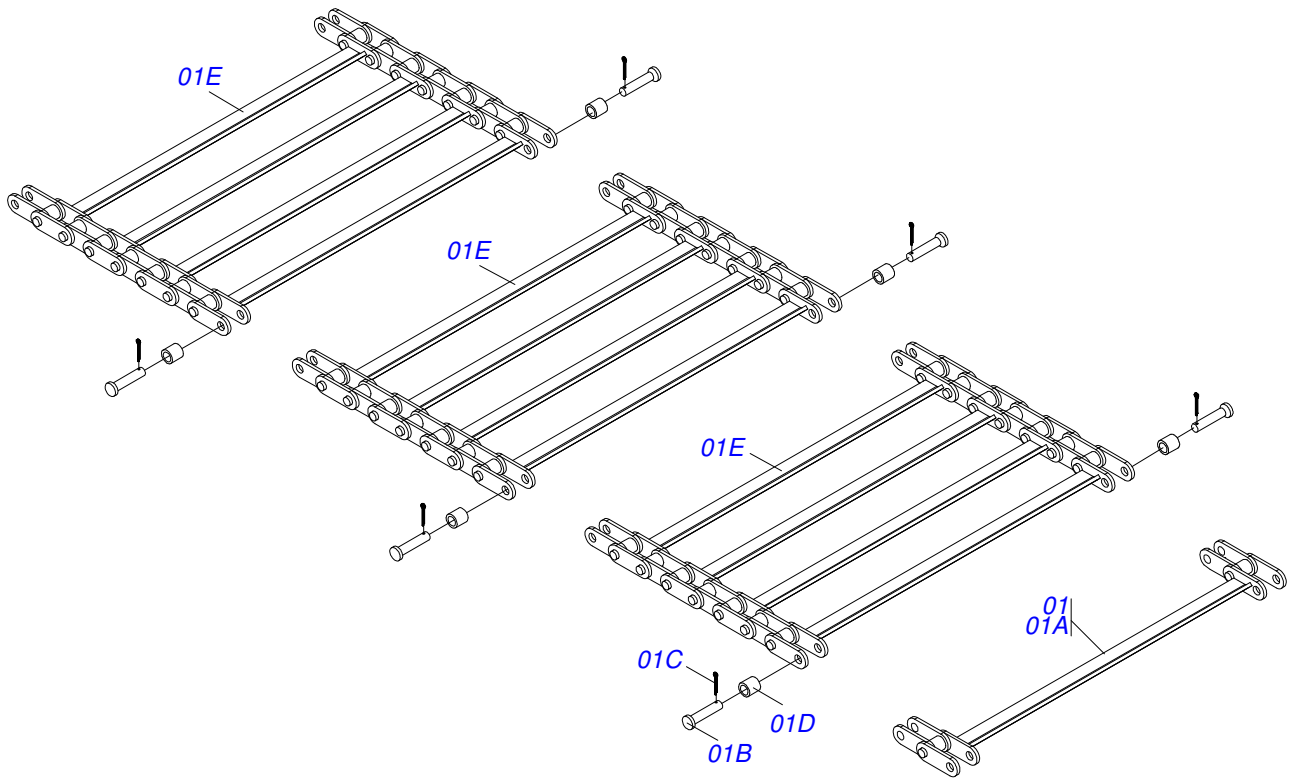


Item	Code	Description	QT
01	0501110766	HUB CARRYING WHEELS WITH BOLT	01
02	0541014720	CR 7076205/1/1 AXLE	01
03	0503010006	32210 ROLLER BEARING	01
04	0503010005	32212 ROLLER BEARING	01
05	0501010086	FLAT WASHER	01
06	0503010067	3/16" X 2.1/2" COTTER PIN	01
07	0502011647	COVER	01
08	0503010691	1/4" GREASE FITTING	01
09	0503010009	SEAL 00573-B	01
10	0503012723	502115 RENO RING	01
11	0503010298	1/4" X 1/2" BOLT	01
12	0503012457	UNF 1.1/4" CASTLE NUT	01

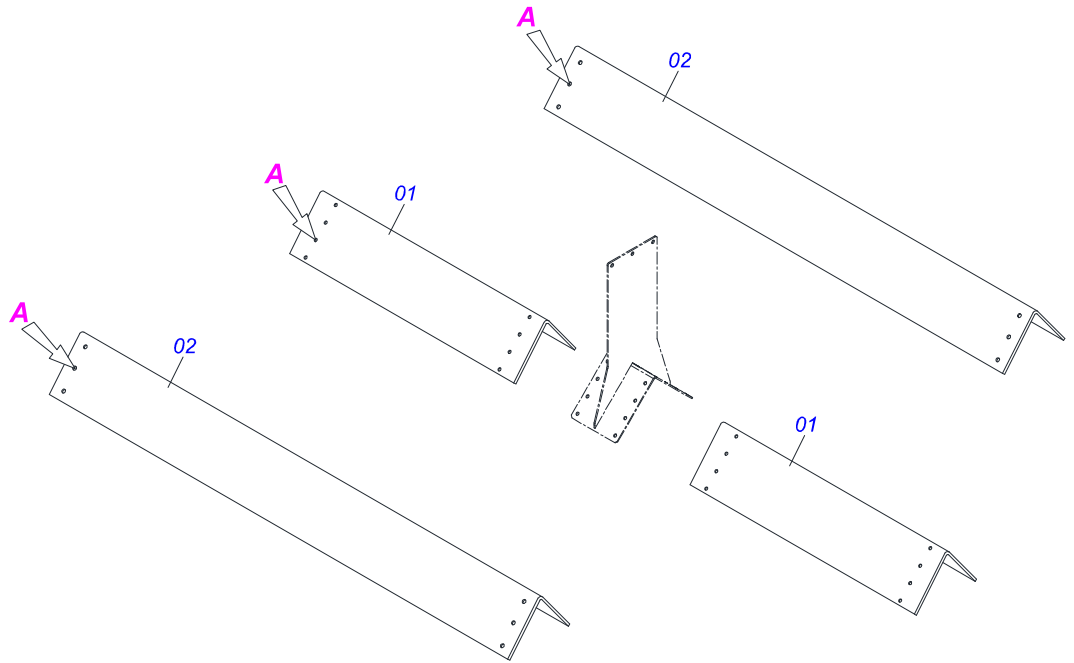
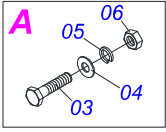


Item	Code	Description	QT
001	0521060862	FIXER BEARING	01
002	0521060863	INTERMEDIATE SUPPORT	01
003	0521060864	PUMP SUPPORT	01
004	0501010077	1/2" X 2" BOLT	04
005	0503010060	1/2" NUT	04
006	0503010019	1/2" SPRING WASHER	04
007	0561013638	PIN	01
008	0503010571	1/4" X 1.1/2 COTTERPIN	04
009	0561013639	PIN	01
010	0503015412	JOINT AGRICULTURAL	01
011	0503013504	HYDRAULIC PARKER PUMP	01

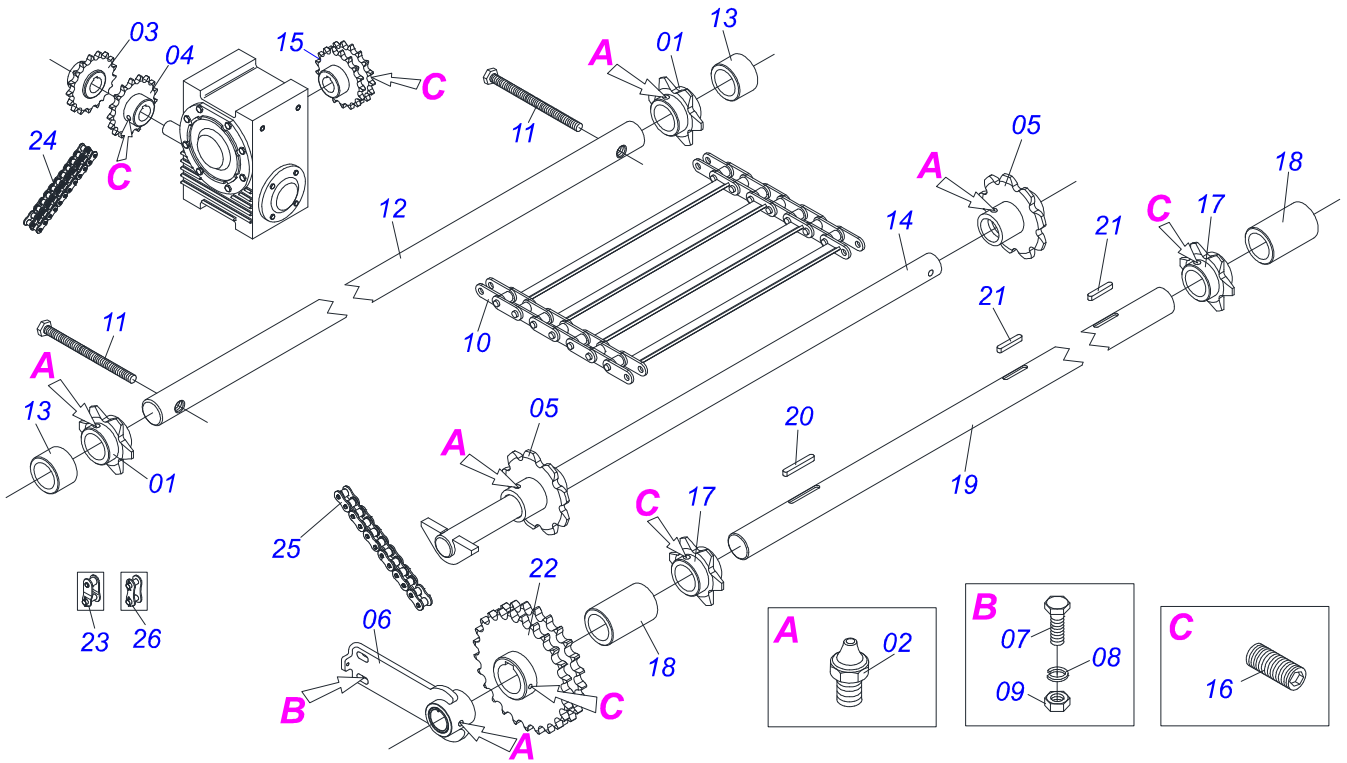




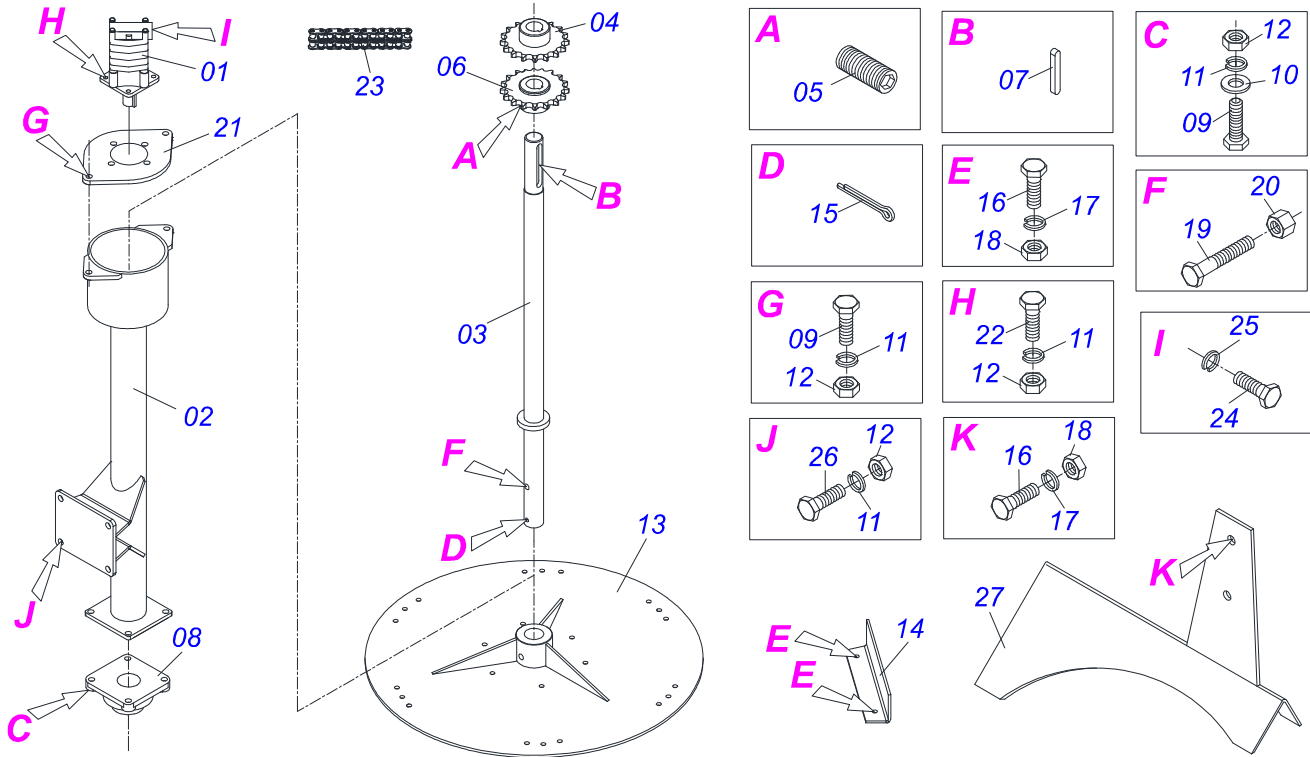
Item	Code	Description	QT
01	0501059150	MAT	01
01A	0501078667	MAT	01
01B	0541019096	PIN	36
01C	0503010577	3/16" X 1-1/4" COTTERPIN	36
01D	0541019094	BUSHING	36
01E	0501078668	MAT	17



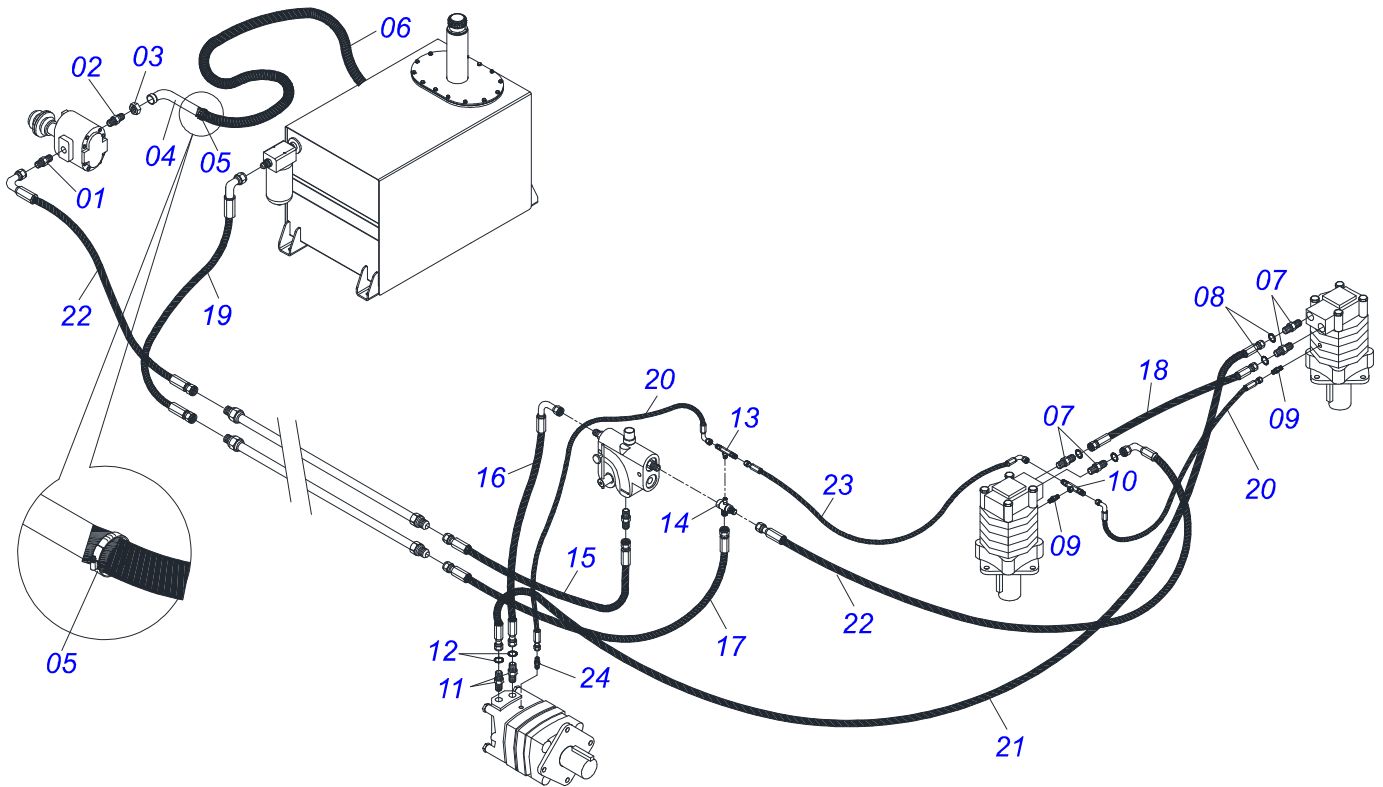
Item	Code	Description	QT
001	0561013486	KIT DEFLECTOR	02
002	0521060837	KIT DEFLECTOR	02
003	0501010063	1/2" X 1-1/2" BOLT	56
004	0511017302	FLAT WASHER	56
005	0503010019	1/2" SPRING WASHER	56
006	0503012241	SNC 1/2" ZIN 1K03068 NUT	56



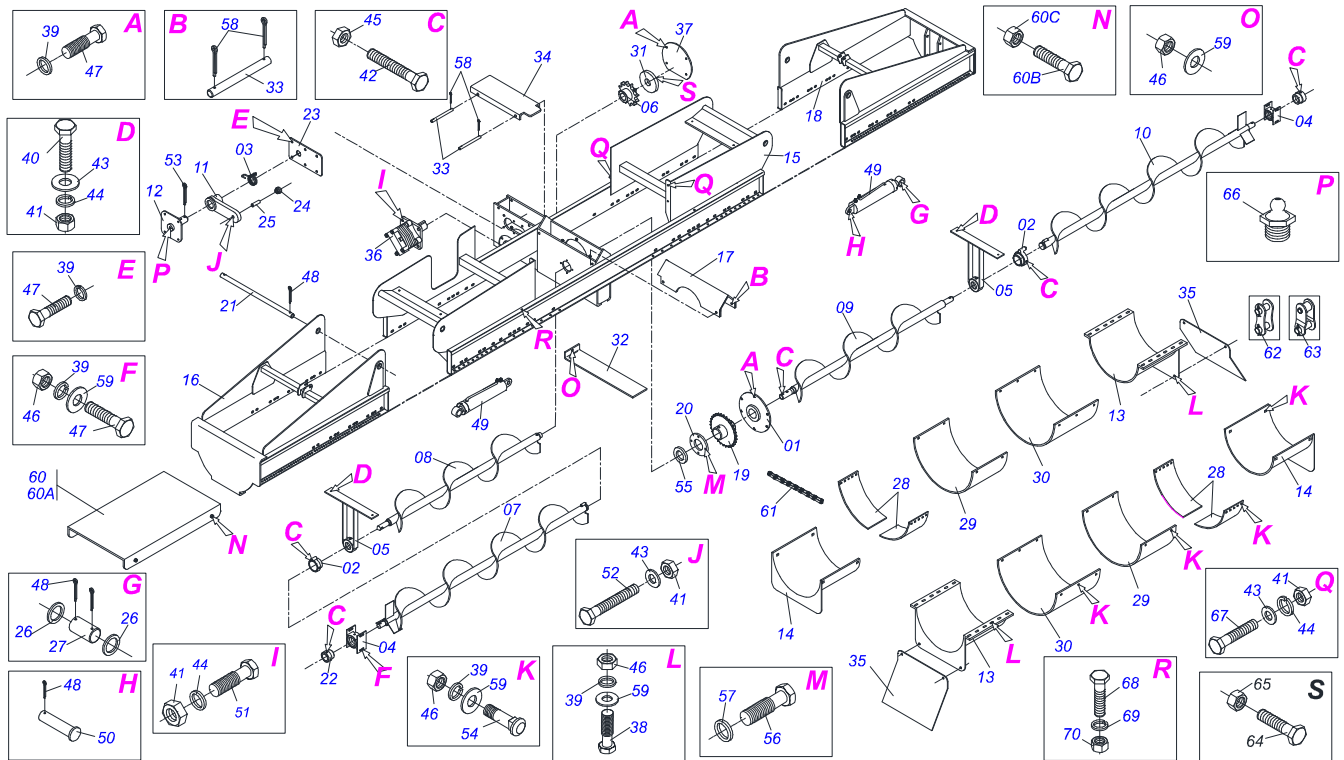
Item	Code	Description	QT
01	0521060848	GEAR	02
02	0503010691	1/4" GREASE FITTING	05
03	0521060471	TRANSMISSION COUPLING	01
04	0521060472	TRANSMISSION COUPLING	01
05	0521060846	GEAR	02
06	0501110717	FIXER ARM	01
07	0501010161	1/2" X 1.1/4" BOLT	02
08	0503010019	1/2" SPRING WASHER	02
09	0503010060	1/2" NUT	02
10	0501059150	MAT	01
11	0501078666	AXLE DISC	02
12	0561013569	AXLE DISC	01
13	0561013570	RING	02
14	0521060850	AXLE DISC	01
15	0521060851	GEAR	01
16	0503013221	3/8 UNC X 3/8 S C S I BOLT	08
17	0521060847	GEAR	02
18	0561013571	RING	02
19	0561013568	REAR AXLE	01
20	0561013587	KEYWAY	01
21	0561013588	KEYWAY	02
22	0521060853	GEAR	01
23	0503015413	REDUCER	01
24	0503032768	CHAIN	01
25	0503015402	CHAIN	01
26	0503015190	AMENDMENT	01



Item	Code	Description	QT
01	0503015418	MOTOR	02
02	0521060876	BEARING	02
03	0521060866	TRANSMISSION AXLE	02
04	0521060471	TRANSMISSION COUPLING	02
05	0503013221	3/8 UNC X 3/8 S C S I BOLT	04
06	0521060472	TRANSMISSION COUPLING	02
07	0561011878	KEYWAY	02
08	0511043699	BEARING	02
09	0503011082	C1/2" X 1.3/4" BOLT	12
10	0511017302	FLAT WASHER	08
11	0503010019	1/2" SPRING WASHER	28
12	0503010060	1/2" NUT	28
13	0501076439	LEFT DISC	02
14	0541013660	SHOVEL	12
15	0503010523	1/4" X 2" COTTERPIN	02
16	0503011087	3/8" X 1" BOLT	26
17	0503010025	3/8 SPRING WASHER	24
18	0503010026	3/8" NUT	24
19	0503010547	1/2" X 4" BOLT	02
20	0503010589	1/2" UNC SELF ADJUSTING NUT	02
21	0561013622	FLANGE	02
22	0501010077	1/2" X 2" BOLT	08
23	0503032768	CHAIN	02
24	0503013977	M10 X 1,5 X 50 C S 8.8 ZN BOLT	04
25	0503013542	M10 SPRING WASHER	04
26	0501010161	1/2" X 1.1/4" BOLT	08
27	0521060865	REAR DEFLECTOR	01

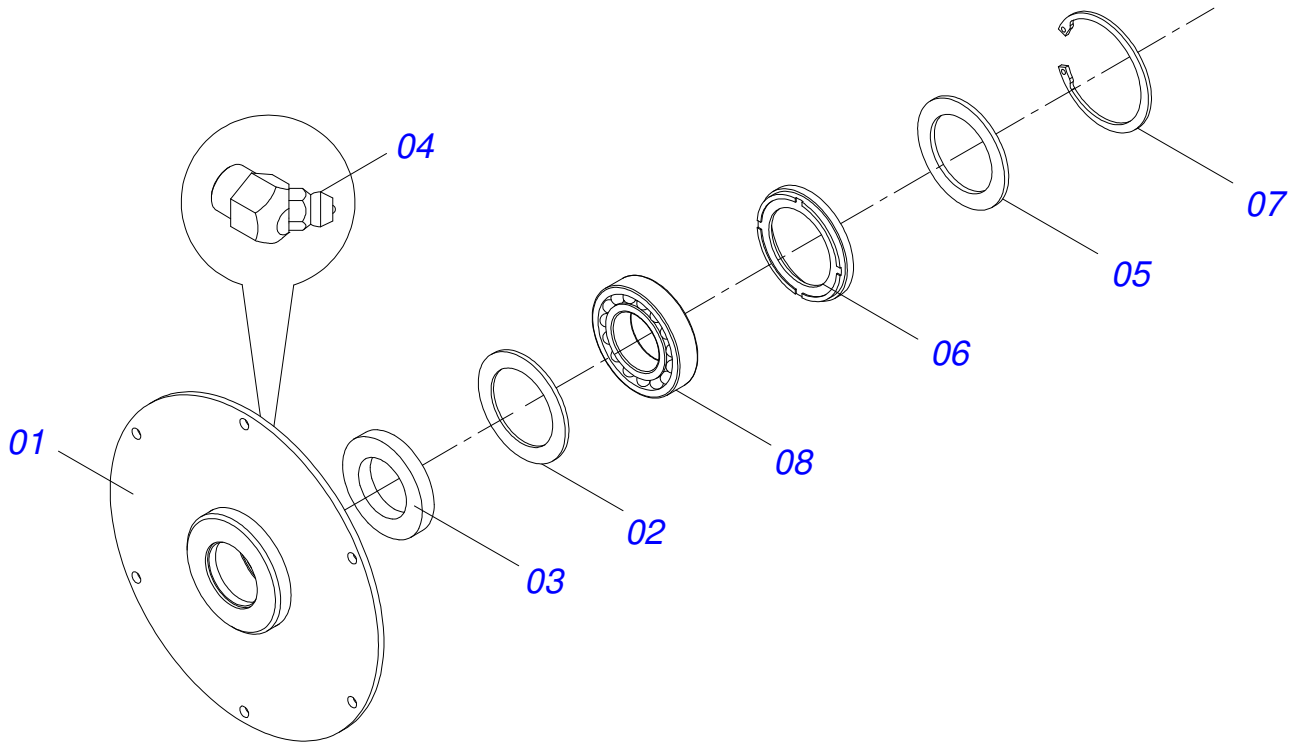


Item	Code	Description	QT
01	0561013646	R 1.1/6 UN SEXT 1.1/4 X 49,5 NIPPLE	01
02	0541017401	R.1.5/8X12FPP X R.2X16FPPX61 NIPPLE	01
03	0501016309	2" 1X 2.5/16" NUT	01
04	0521061062	SUCTION TUBE	01
05	0503015405	CLAMP	02
06	0501011512	1.1/4 X 750 AB-AB HOSE	01
07	0551011253	R1.1/16 JICX7/8 SAE S1.1/8X50 NIPPLE	04
08	0503010045	2-116 N 3006-9B O'RING	04
09	0561013503	NIPPLE	02
10	0511069890	ADAPTER T NUT	01
11	0561013504	NIPPLE	02
12	0503011109	2-119 N 3006-9B O'RING	02
13	0501077666	ADAPTER T NUT (PACC 201101)	01
14	0503014834	ADAPTER	01
15	0501081455	3/4 X 520 TR-TR HOSE	01
16	0501081454	3/4 X 730 TR-TC HOSE	01
17	0501081451	3/4 X 730 TR-TR HOSE	01
18	0501081449	3/4 X 820 TC-TC 180G HOSE	01
19	0501080023	3/4 X 1700 TR-TC HOSE	01
20	0501081464	1/4 X 700 TR-TC HOSE	02
21	0501080513	3/4" X 2500 TR-TC HOSE ASSY	01
22	0501080534	3/4" X 78.7" TR-TC HOSE	02
23	0501081462	1/4 X 1700 TR-TC HOSE	01
24	0561013501	NIPPLE	01



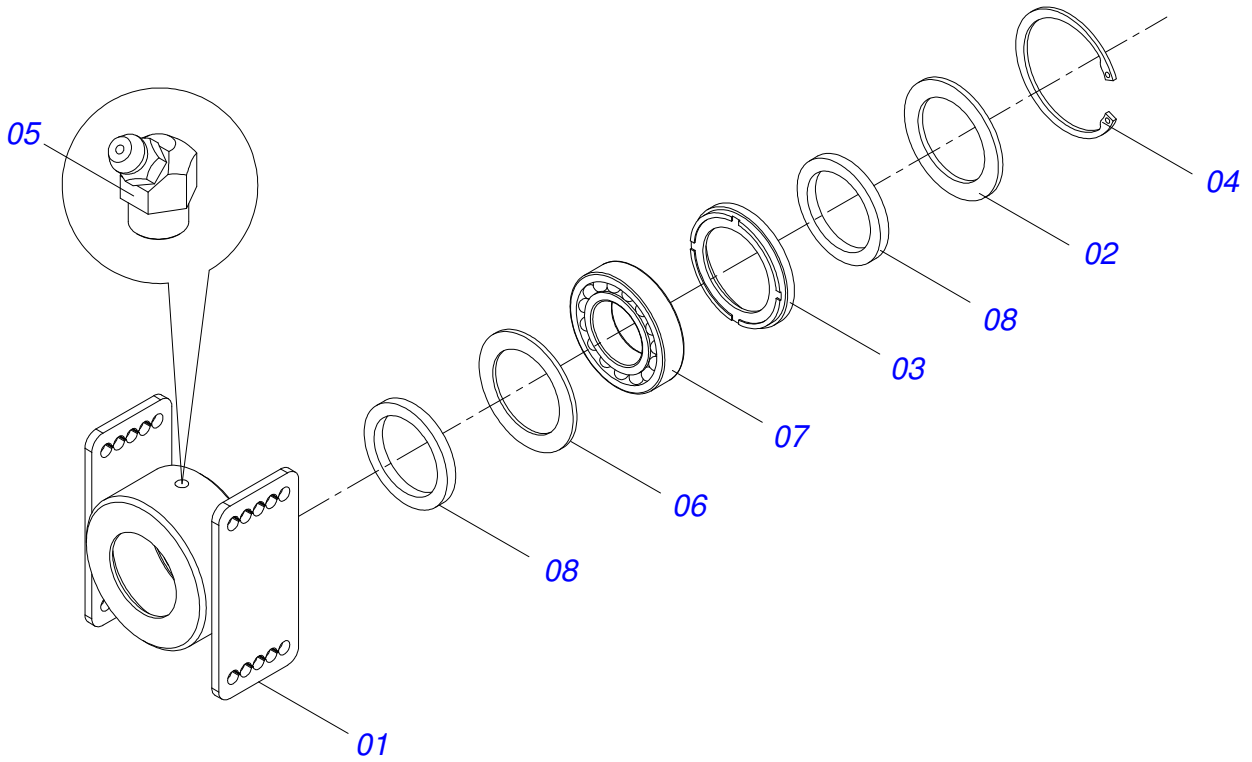
Item	Code	Description	QT
01	0501059151	BEARING ASSEMBLY	01
02	0501076690	SLEEVE	02
03	0503030417	1.7"X 1.4"X 0.14" RH TORSION SPRING	01
04	0511045115	BEARING ASSEMBLY	02
05	0511045116	BEARING ASSEMBLY	02
06	0511067514	GEAR	01
07	0511067719	AXLE DISC	01
08	0511067720	ASSEMBLY	01
09	0511067722	ASSEMBLY	01
10	0511067723	AXLE DISC	01
11	0511067727	ARM	01
12	0511067728	BASE	01
13	0511067898	REGULATOR	04
14	0511067899	REGULATOR	02
15	0521060852	KIT CENTER DISTRIBUTOR	01
16	0521060858	LH KIT DISTRIBUTOR	01
17	0521060859	UPPER CLOSED	01
18	0521060860	RH KIT DISTRIBUTOR	01
19	0521060861	GEAR	01
20	0541016547	SUPPORT FLANGE CLOTH	01
21	0551010858	PIN	02
22	0551010872	BUSHING	02
23	0551010886	COVER	01
24	0551010887	ROLLER	01
25	0551010888	TUBE	01
26	0551010893	WASHER	04
27	0551010894	PIN	02
28	0551012164	LIMITER	04
29	0551012165	REGULATOR	02
30	0551012166	REGULATOR	02
31	0551013316	WASHER	01

Item	Code	Description	QT
32	0561013612	LOWER CLOSED	01
33	0561013613	LOCK PIN	04
34	0561013614	UPPER CLOSED	01
35	0561013623	BODY DISTRIBUTOR	02
36	0503015411	MOTOR	01
37	0561017703	COVER	01
38	0503010256	3/8" X 3/4" BOLT	28
39	0503010025	3/8 SPRING WASHER	98
40	0501010161	1/2" X 1.1/4" BOLT	04
41	0503010060	1/2" NUT	19
42	0503010752	1/2" X 3.1/2" BOLT	06
43	0511017302	FLAT WASHER	15
44	0503010019	1/2" SPRING WASHER	18
45	0503010589	1/2" UNC SELF ADJUSTING NUT	06
46	0503010026	3/8" NUT	83
47	0503011087	3/8" X 1" BOLT	24
48	0503010131	3/16" X 1-1/2" COTTERPIN	08
49	0511048451	HYDRAULIC CYLINDER	02
50	0521019127	PIN	02
51	0503011082	C1/2" X 1.3/4" BOLT	04
52	0503010734	1/2" X 2-1/2" BOLT	01
53	0503010523	1/4" X 2" COTTERPIN	01
54	0501011643	3/8 X 1"BOLT	44
55	0503032420	FELT WASHER	01
56	0503010363	5/16" X 1" BOLT	04
57	0503010179	SPRING WASHER	04
58	0503010140	1/8" X 3/4" COTTERPIN	08
59	0501010984	FLAT WASHER	81
60	0501059379	PROTECTION	02
60A	0501078841	PROTECTION BODY	02
60B	0503010421	5/16" X 1-1/2" BOLT	08
60C	0503010337	5/16" NUT	08
61	0503015401	CHAIN	01
62	0503014083	AMENDMENT WITH LOCK	01
63	0503014084	REDUCER	01
64	0503011294	M 8 X 1,25 X 20 BOLT	01
65	0503014371	M8 SPRING WASHER	01
66	0503010691	1/4" GREASE FITTING	01
67	0503010920	1/2" X 1.1/2" BOLT	10
68	0503011267	5/8" X 1.1/2" BOLT	02
69	0503010027	SPRING WASHER	02
70	0503010013	5/8" NUT	02

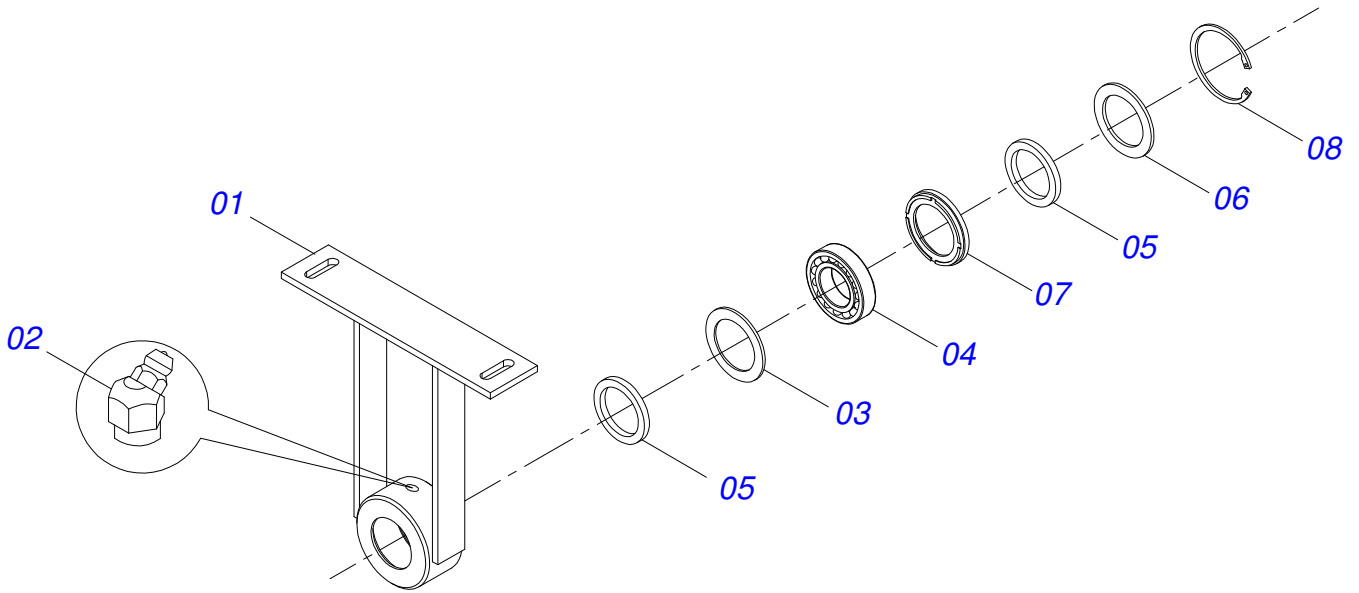


Item	Code	Description	QT
01	0521064210	BEARING SUPPORT	01
02	0541016557	FELT WASHER SUPPORT	01
03	0503032420	FELT WASHER	02
04	0503010003	1845 GREASE FITTING	01
05	0541016558	FLAT WASHER	01
06	0541016556	FELT GUIDE ROLLER HUB	01
07	0503013200	502085 CLAMPING RING (FOR AXLE)	01
08	0503013511	1209-E BEARING ASSY	01

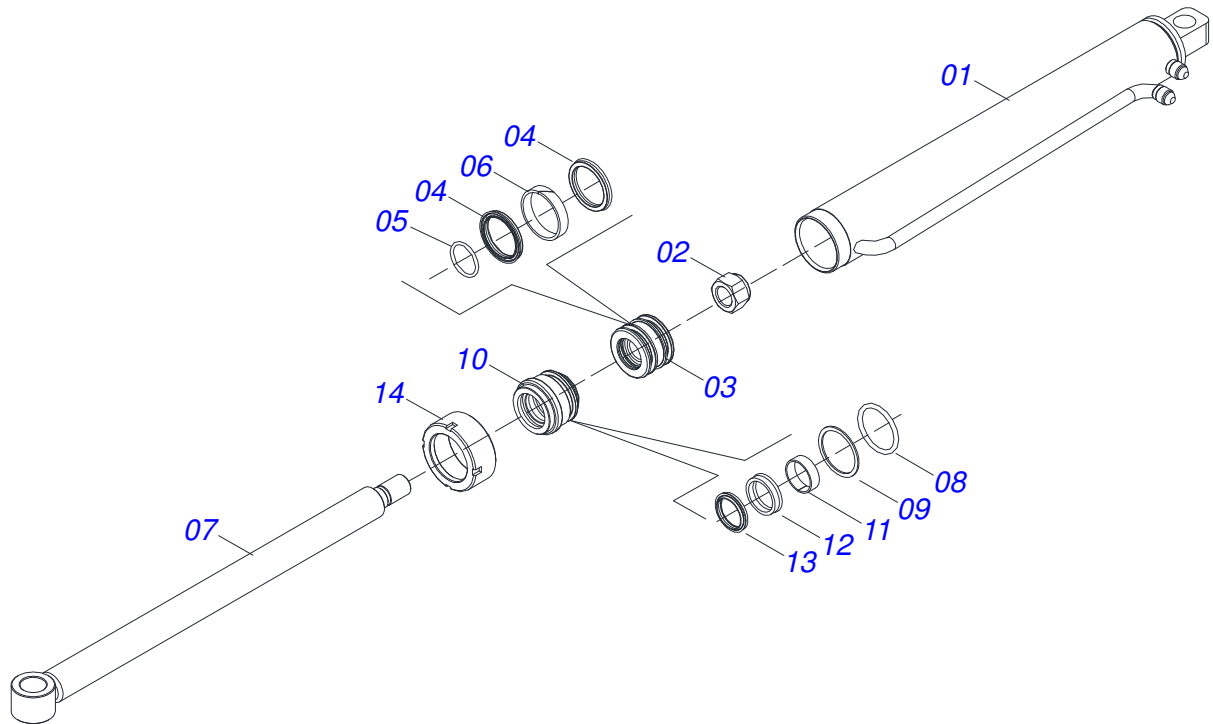




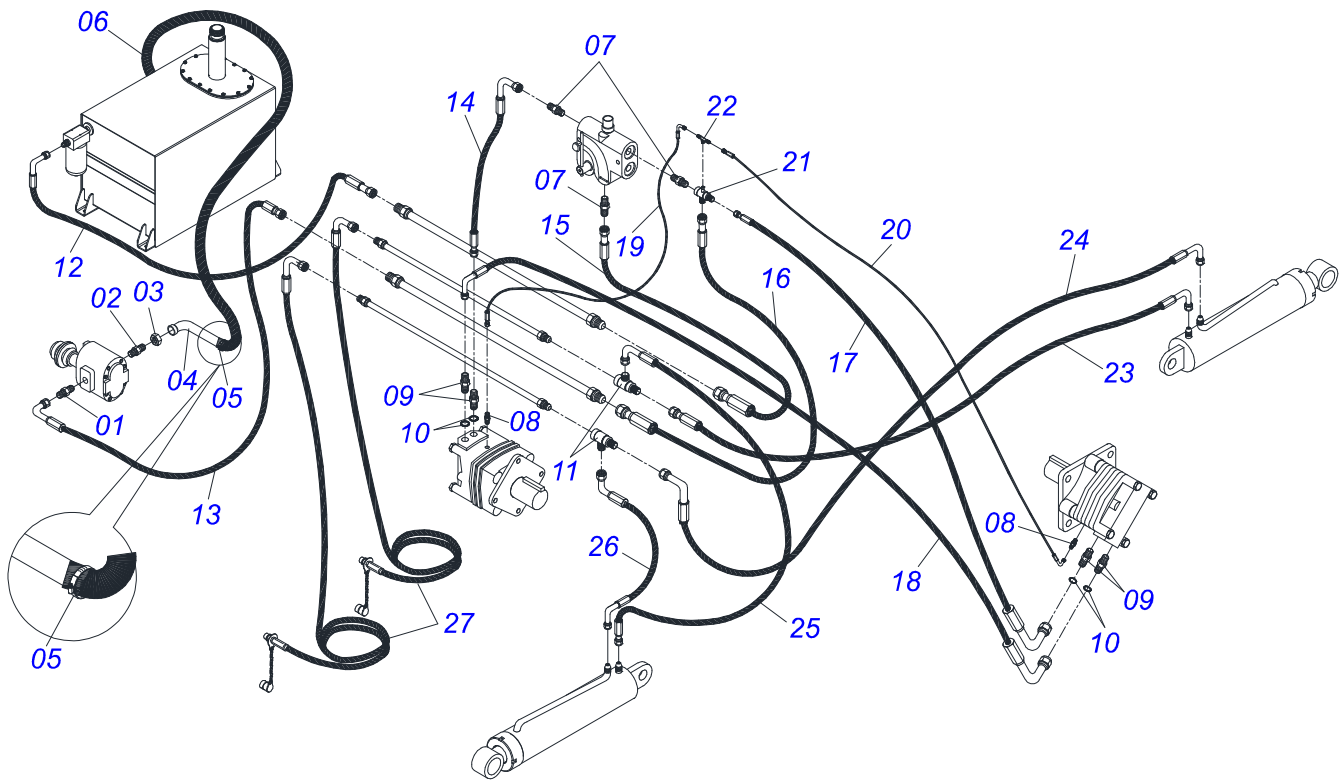
Item	Code	Description	QT
001	0511067725	FIXER BEARING	01
002	0541016558	FLAT WASHER	01
003	0541016556	FELT GUIDE ROLLER HUB	01
004	0503013200	502085 CLAMPING RING (FOR AXLE)	01
005	0503010003	1845 GREASE FITTING	01
006	0541016557	FELT WASHER SUPPORT	01
007	0503013511	1209-E BEARING ASSY	01
008	0503032420	FELT WASHER	02



Item	Code	Description	QT
001	0511067726	BEARING SUPPORT	01
002	0503010003	1845 GREASE FITTING	01
003	0541016557	FELT WASHER SUPPORT	01
004	0503013511	1209-E BEARING ASSY	01
005	0503032420	FELT WASHER	02
006	0541016558	FLAT WASHER	01
007	0541016556	FELT GUIDE ROLLER HUB	01
008	0503013200	502085 CLAMPING RING (FOR AXLE)	01



Item	Code	Description	QT
001	0521061485		01
002	0503010063	1" SELF-ALIGNING NUT	01
003	0502010783	1.5" X 2.5" PISTON	01
004	0503010160	2500 2000 GASKET	02
005	0503010285	2-222 N 3006-9B O'RING	01
006	0503010973	W2-2500-500 PK O'RING G.E	01
007	0521061486		01
008	0503010161	2-330 N 3006 9B O'RING	01
009	0503011058	8-330 BACK-UP RING	01
010	0502010780	RING SUPPORT	01
011	0503010970	W1-1650-500 PK O'RING G.E	01
012	0503010989	1870-1500-375-B GASKET	01
013	0503010163	D-1500 SCRAPER RING	01
014	0502010471	MOBILE COVER	01



Item	Code	Description	QT
01	0561013646	R 1.1/6 UN SEXT 1.1/4 X 49,5 NIPPLE	01
02	0541017401	R.1.5/8X12FPP X R.2X16FPPX61 NIPPLE	01
03	0501016309	2" 1X 2.5/16" NUT	01
04	0521061062	SUCTION TUBE	01
05	0503015405	CLAMP	02
06	0501013456	1.1/4 X 1600 AB-AB HOSE	01
07	0501010589	R. 1.1/16UN SEXT 1.1/4 X 52 NIPPLE	03
08	0561013503	NIPPLE	02
09	0561013504	NIPPLE	04
10	0503011109	2-119 N 3006-9B O'RING	04
11	0503011968	T ADAPTOR WITH GIRAT	02
12	0501080762	3/4 X 3500 TR-TC HOSE	01
13	0501081314	3/4 X 800 TR-TC 1G138644 HOSE	01
14	0501081308	3/4 X 550 TR-TC HOSE	01
15	0501080031	HOSE	01
16	0501080186	3/4 X 650 TR-TR 1G138636 HOSE	01
17	0501080023	3/4 X 1700 TR-TC HOSE	01
18	0501081709	3/4 X 1800 TC-TC HOSE	01
19	0501081462	1/4 X 1700 TR-TC HOSE	01
20	0501081464	1/4 X 700 TR-TC HOSE	01
21	0503014834	ADAPTER	01
22	0501077666	ADAPTER T NUT (PACC 201101)	01
23	0501080401	3/8" X 106" TR-TC HOSE ASSY	01
24	0501080746	TC-TC HOSE ASSY	01
25	0501081118	3/8 X 1350 TR-TC HOSE	01
26	0501081665	3/8 X 1350 TC-TC HOSE	01
27	0501080365	3/8" X 137" HOSE	02





email: [civemasa@civemasa.com.br](mailto:civemasa@civemasa.com.br)

[www.civemasa.com.br](http://www.civemasa.com.br)

Phone: +55 16.3382.8222

Fax: +55 16.3382.8355

## MARCHESAN IMPLEMENTOS E MÁQUINAS AGRÍCOLAS "TATU" S.A.

Av. Marchesan, 1979 - Post Office box, 131 - Cep 15994-900 - Matão - Sp - Brasil

CNPJ 52.311.289/0001-63 | Inst. Est.441.000.151.114

**Technical Publications: Elaboration**

JOSÉ DOMINGOS GASPARI

**Technical Publications: Revision**

JOSÉ DOMINGOS GASPARI

*Contact Catálogo:*

*E-mail = [jgaspari@marchesan.com.br](mailto:jgaspari@marchesan.com.br)*

**ORIGINAIS PARTS  
CIVEMASA**