

**DISK HARROWS**

**SGAC - 12/14/16/18D**

**Code:** 0501091044  
**Series:** S-0613  
**Revision:** 00  
**Revision Date:** SETEMBRO/2021

# PARTS CATALOGUE

***CIVEMASA***



# PRODUCTS

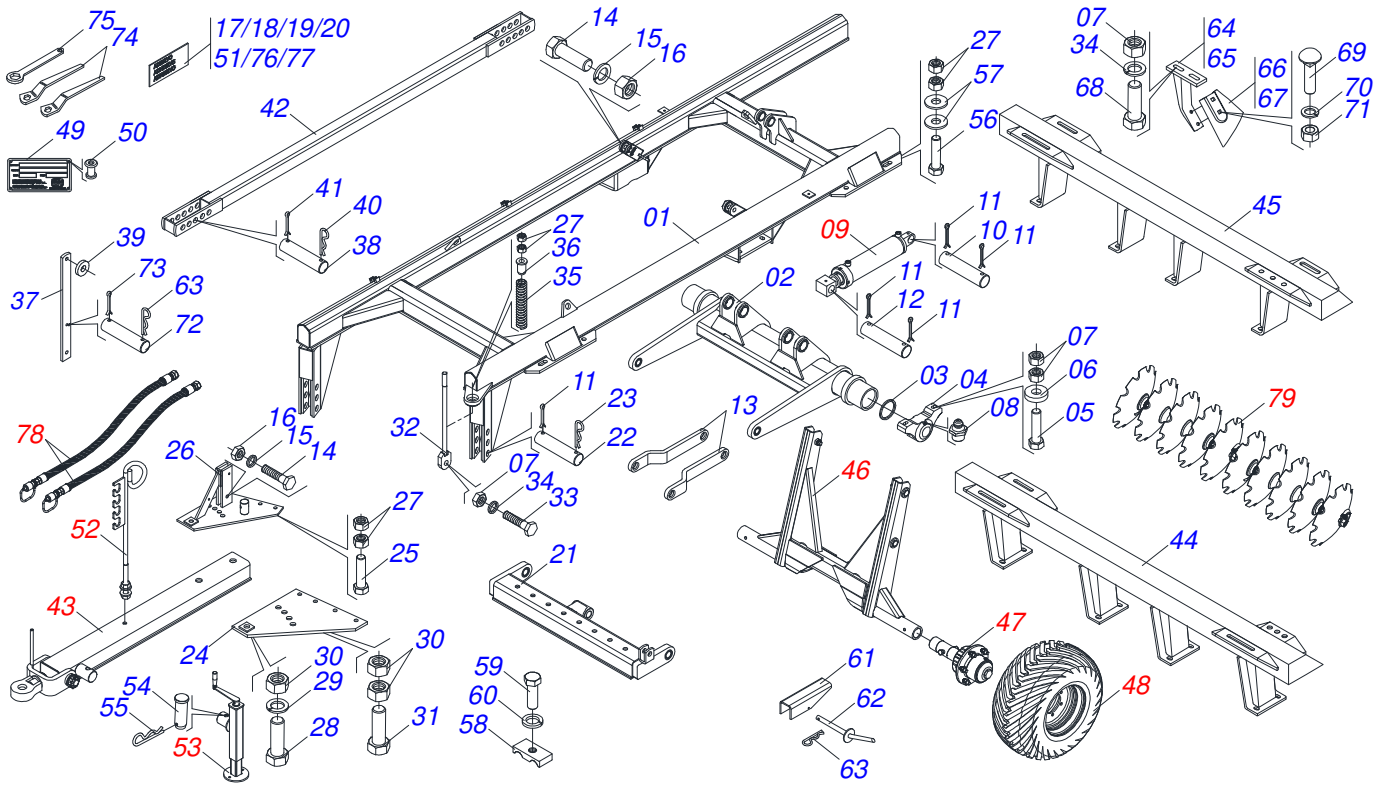
Code	Description
0120150068	SGAC 12X30X7,5 DR 400/60 S-0613
0120150069	SGAC 12X32X9,0 DR 400/60 S-0613
0120150070	SGAC 12X34X9,0 DR 400/60 S-0613
0120150071	SGAC 14X30X7,5 DR 400/60 S-0613
0120150065	SGAC 14X32X9,0 DR 400/60 S-0613
0120150063	SGAC 14X34X9,0 DR 400/60 S-0613
0120150073	SGAC 16X30X7,5 DR 400/60 S-0613
0120150062	SGAC 16X32X9,0 DR 400/60 S-0613
0120150064	SGAC 16X34X9,0 DR 400/60 S-0613
0120150075	SGAC 18X30X7,5 DR 400/60 S-0613
0120150076	SGAC 18X32X9,0 DR 400/60 S-0613
0120150061	SGAC 18X34X9,0 DR 400/60 S-0613

## ATTENTION: IMPORTANT

Civemasa reserves the right to improve and / or modify the technical features of its products, without obligation to do the same with those products already sold and without prior knowledge of the dealer or the consumer.

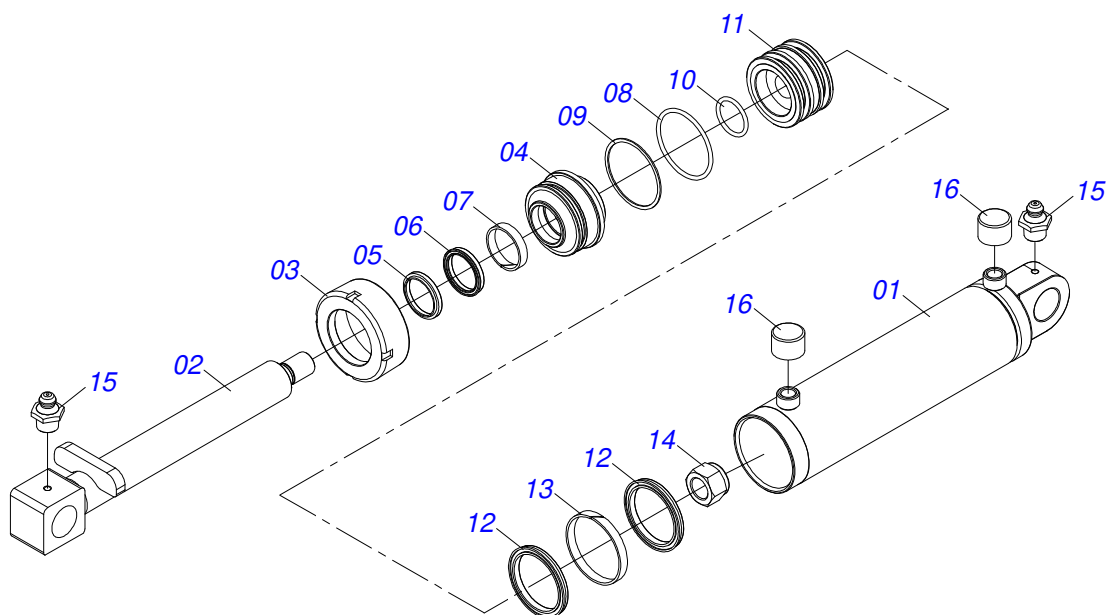
# INDEX

0909094746	FRAME ASSY - 12/14/16/18D	.....	1
0501048562	HYDRAULIC CYLINDER 53,98X101,6X630X300	.....	2
0521045051	WHEELS ASSY	.....	3
0501055850	CARRYNG WHEEL HUB ASSEMBLY SET	.....	4
0503061868	14L WHEEL AND TIRE	.....	5
0501040257	3/4 X 1200 HOSE HOLDER A	.....	6
0511048088	DRAWBAR JACK	.....	7
0909094732	HIDRAULIC CIRCUIT	.....	8
0501053834	MALE QUICK COUPLER WITH CAP - 1/2 NPT	.....	9
0909092017	ASSY DISC SECTION	.....	10
0501048557	BEARING OIL	.....	11

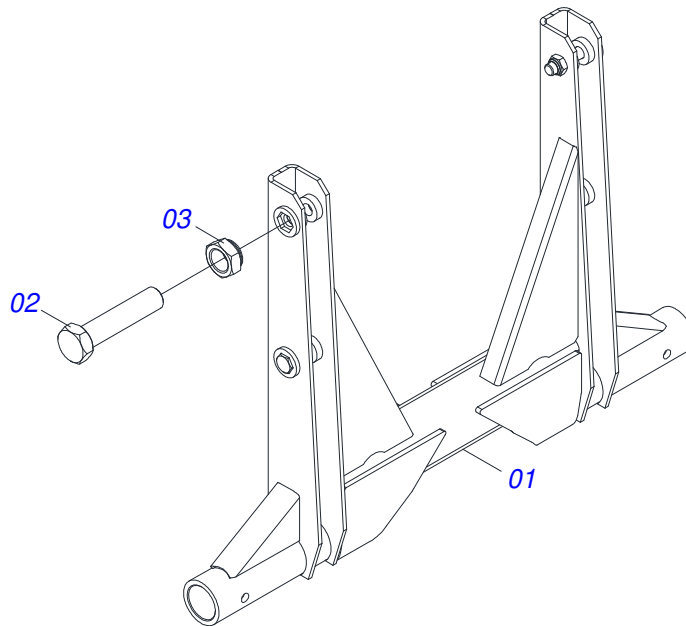


Item	Code	Description	See page	12	14	16	18
01	0511064754	FRAME		01	01	01	01
02	0511060135	WHEELS AXLE		01	01	01	01
03	0503012223	FELT RING		02	02	02	02
04	0502011583	BEARING AXLE		02	02	02	02
05	0503010901	3/4UNC 3.1/2 BOLT		04	04	04	04
06	0521013710	WASHER SEMIMAN		04	04	04	04
07	0503012183	SNC 3/4" ZIN 1K03097 NUT		33	37	41	45
08	0503010002	1800 GREASE FITTING		02	02	02	02
09	0501048562	HYDRAULIC CYLINDER 53,98X101,6X630X300	2	01	01	01	01
10	0521013707	HEADLESS PIN		01	01	01	01
11	0503010010	1/4" X 2.1/2" COTTERPIN		06	06	06	06
12	0521013706	HEADLESS PIN		01	01	01	01
13	0511063681	ARM		02	02	02	02
14	0503011432	BOLT		03	03	03	03
15	0503010012	1" SPRING WASHER		03	03	03	03
16	0503012182	1" NUT		03	03	03	03
17	0503033647	APPROVED BADGE		01	01	01	01
18	0503034203	ADHESIVE		02	02	02	02
19	0503031739	ADHESIVE LABEL		01	01	01	01
20	0503034355	EMBLEM		02	02	02	02
21	0511060115	DRAWBAR		01	01	01	01
22	0521013704	PIN FREE HEAR		02	02	02	02
23	0503031479	STAPLE		02	02	02	02
24	0511060125	BOTTOM PLATE HITCH		01	01	01	01
25	0501010219	1" X 7-1/2" BOLT		04	04	04	04
26	0511060126	TOP PLATE HITCH		01	01	01	01
27	0503012182	1" NUT		26	26	26	26
28	0503012192	1-1/4" X 8 BOLT		01	01	01	01
29	0503010070	SPRING WASHER		01	01	01	01
30	0503012181	1.1/4" NUT		03	03	03	03
31	0503012174	1-1/4" X 8-1/4" BOLT		01	01	01	01

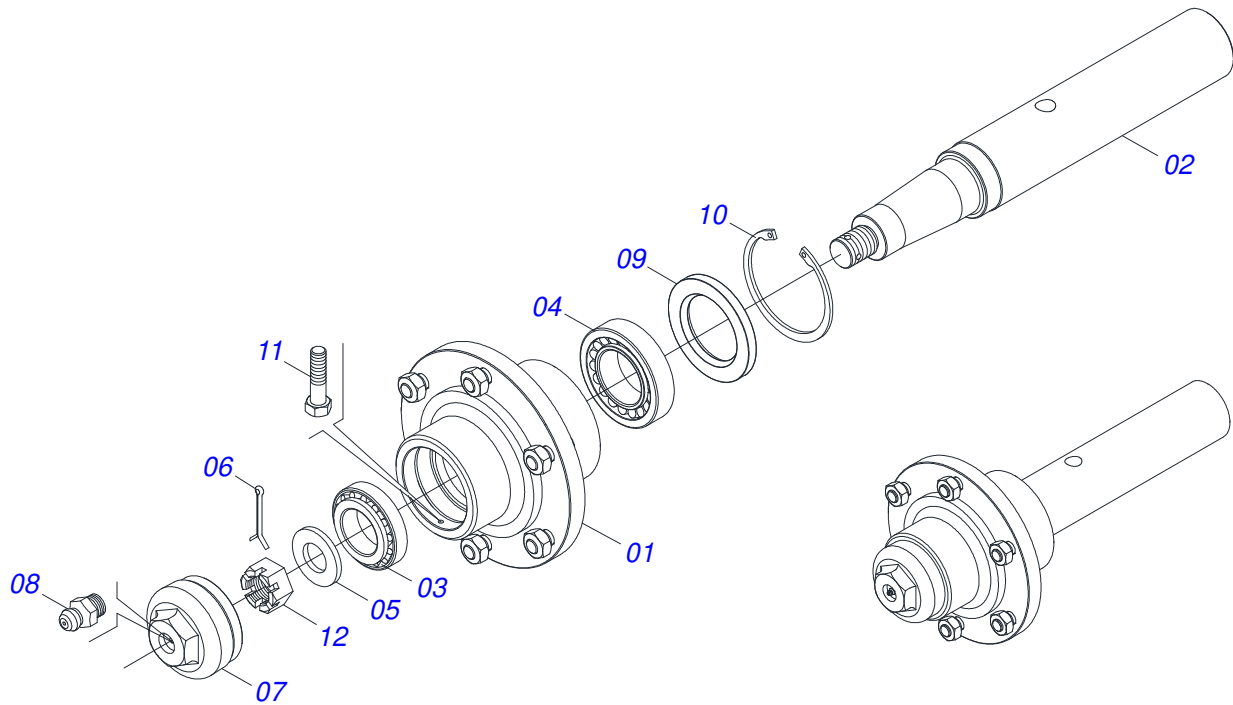
Item	Code	Description	See page	12	14	16	18
32	0511060124	ASSEMBLY TIME		01	01	01	01
33	0501010125	3/4" X 2-1/2" BOLT		01	01	01	01
34	0503010023	3/4" SPRING WASHER		25	29	33	37
35	0503031460	SPRING		01	01	01	01
36	0502011582	SPINDLE GUIDE		01	01	01	01
37	0521013673	TOWER		01	01	01	01
38	0521013703	PIN FREE HEAR		02	02	02	02
39	0521015518	BOOST		04	04	04	04
40	0503031470	TM 251 X 4,0 STAPLE		02	02	02	02
41	0503010038	3/16 X 2 COTTERPIN		02	02	02	02
42	0511060127	BEAM STABILIZER		01	01	01	01
43	0511050170	HARNES ASSY		01	01	01	01
44	0511060517	FRONT GANG CARRIER ASSY - 12		01	00	00	00
44.	0511060133	FRONT GANG CARRIER ASSY - 14		00	01	00	00
44..	0511060347	FRONT GANG CARRIER ASSY - 16		00	00	01	00
44...	0511062341	FRONT GANG CARRIER ASSY - 18		00	00	00	01
45	0511060518	REAR GANG CARRIER ASSY - 12		01	00	00	00
45.	0511060134	REAR GANG CARRIER ASSY - 14		00	01	00	00
45..	0511060348	REAR GANG CARRIER ASSY - 16		00	00	01	00
45...	0511062342	REAR GANG CARRIER ASSY - 18		00	00	00	01
46	0521045051	WHEELS ASSY	3	01	01	01	01
47	0501055850	CARRYNG WHEEL HUB ASSEMBLY SET	4	02	02	02	02
48	0503061868	14L WHEEL AND TIRE	5	02	02	02	02
49	0503034004	ALUMINUM IDENTIFICATION LABEL		01	01	01	01
50	0503010001	3.2 X 5.5 RIVET		04	04	04	04
51	0503031738	ADHESIVE LABEL		01	01	01	01
52	0501040257	3/4 X 1200 HOSE HOLDER A	6	01	01	01	01
53	0511048088	DRAWBAR JACK	7	01	01	01	01
54	0561014251	COUPLING SHAFT		01	01	01	01
55	0503030012	HAIR PIN		01	01	01	01
56	0503011432	BOLT		08	08	08	08
57	0521015523	BOOST		16	16	16	16
58	0502012702	BODY SUPPORT CLAMP		03	03	03	03
59	0503012555	SCREW 7/16 UNC X 2 CS RT G.7 ZN		03	03	03	03
60	0503010180	7/16" SPRING WASHER		03	03	03	03
61	0521013685	LOCK PISTON		01	01	01	01
62	0511060137	ASSEMBLY LOCK PIN		01	01	01	01
63	0503031464	TM 211 X 3,0 STAPLE		02	02	02	02
64	0511060138	FRONT CLEANER SUPPORT		06	07	08	09
65	0511060139	REAR CLEANER SUPPORT		06	07	08	09
66	0521013678	FRONT CLEANER		06	07	08	09
67	0521013679	REAR CLEANER		06	07	08	09
68	0503012180	FRENCH 3/4" X 2 BOLT		24	28	32	36
69	0503012195	5/8" NUT		24	28	32	36
70	0503010027	5/8" SPRING WASHER		24	28	32	36
71	0503010013	5/8" NUT		24	28	32	36
72	0521013812	PIN FREE HEAD		01	01	01	01
73	0503010362	1/8" X 1.1/4" COTTERPIN		01	01	01	01
74	0501011431	1-3/4" GANG BOLT WRENCH		02	02	02	02
75	0531013656	WRENGH		01	01	01	01
76	0503033038	DANGER SIGN		02	02	02	02
77	0503031428	READ MANUAL DECAL		01	01	01	01
78	0909094732	HIDRAULIC CIRCUIT	8	01	01	01	01
79	0909092017	ASSY DISC SECTION	10	12	14	16	18



Item	Code	Description	See page	QT
01	0511062252	101,6 X 418 CYLINDER CASE		01
02	0511062250	53,98 X 509 TURNBUCLE		01
03	0502010017	4" HEAD		01
04	0502011250	RING OF SUPPORT		01
05	0503010319	D-2125 SCRAPER		01
06	0503010314	GASKET		01
07	0503010973	W2-2500-500 PK O'RING G.E		01
08	0503011061	8-342 BACK-UP RING		01
09	0503010338	2-342 N 3006-9B O'RING		01
10	0503010345	2-218 N 3006-9B O'RING		01
11	0502011969	53,98 X 101,60 PISTON		01
12	0503010043	PACKING 3750-3250		02
13	0503010994	W2-4000-500 PK RING G.E		01
14	0503010817	1.1/4" SELF LOCKING NUT		01
15	0503010002	1800 GREASE FITTING		02
16	0503030384	CON PLUG N-001		02

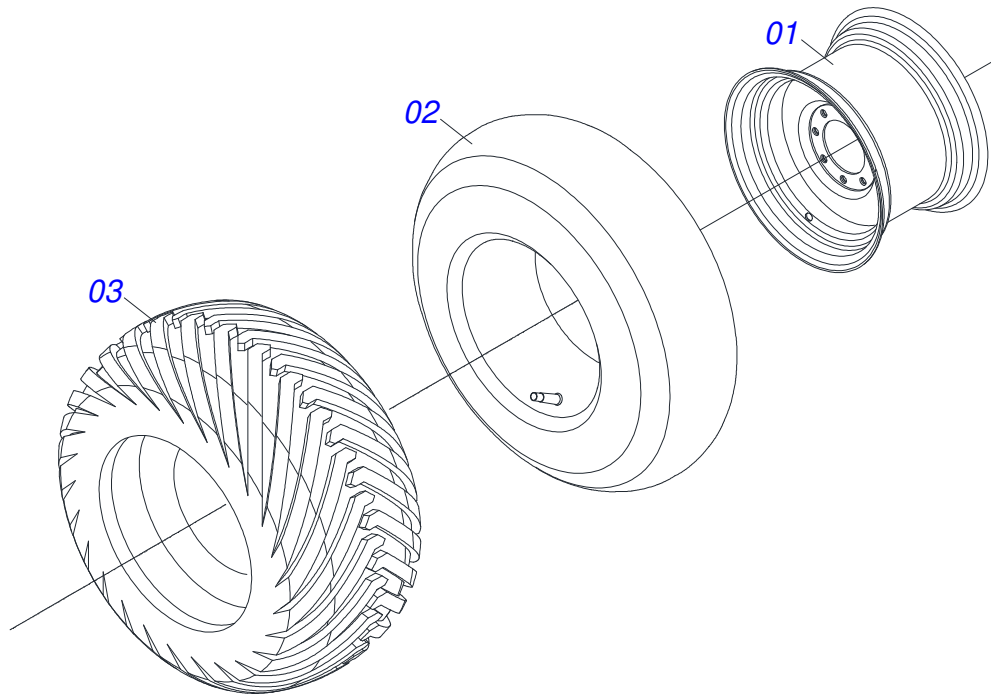


Item	Code	Description	See page	QT
01	0511068626	ASSEMBLY CARRYING-WHEELS		01
02	0501011547	1" X 4-1/2" BOLT		04
03	0503014182	SELF-ADJUSTING NUT		04

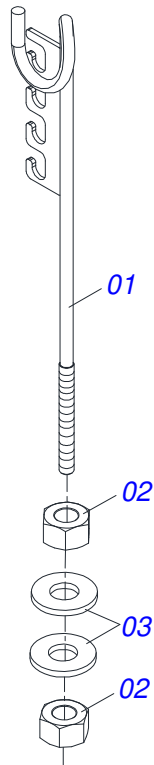


Item	Code	Description	See page	QT
01	0501110766	HUB CARRYING WHEELS WITH BOLT		01
02	0541014720	CR 7076205/1/1 AXLE		01
03	0503010006	32210 ROLLER BEARING		01
04	0503010005	32212 ROLLER BEARING		01
05	0501010086	FLAT WASHER		01
06	0503010067	3/16" X 2.1/2" COTTER PIN		01
07	0502011647	COVER		01
08	0503010691	1/4" GREASE FITTING		01
09	0503010009	RETAINER 00573-B		01
10	0503012723	502115 RENO RING		01
11	0503010298	1/4" X 1/2" BOLT		01
12	0503012457	UNF 1.1/4" CASTLE NUT		01

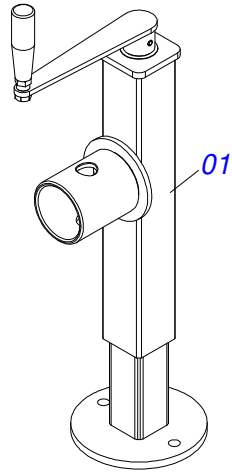




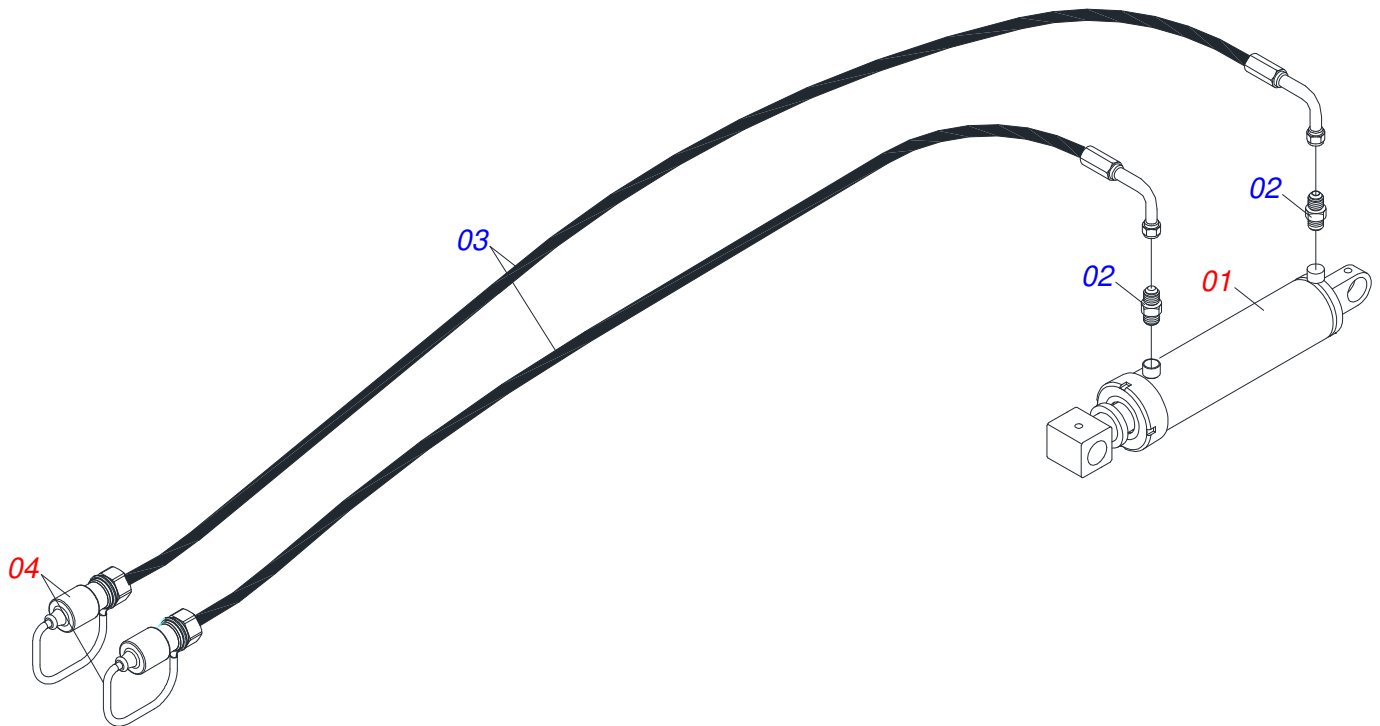
Item	Code	Description	See page	QT
01	0503012916	W-13 X 16,5 HOOP WHEEL		01
02	0503012112	400/60 - 15.5 TR 15 INNER TIRE		01
03	0503013119	CANVAS TIRE		01



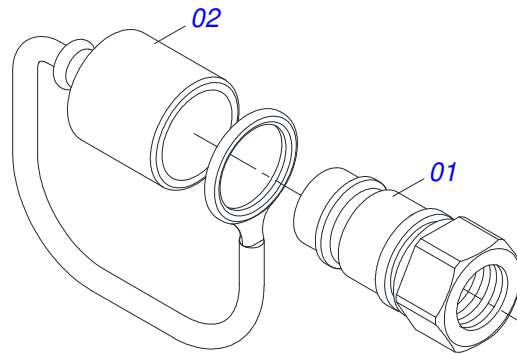
Item	Code	Description	See page	QT
01	0511067334	HOSE SOPPORT ASSY		01
02	0503010014	3/4" NUT		02
03	0501010322	FLAT WASHER		02



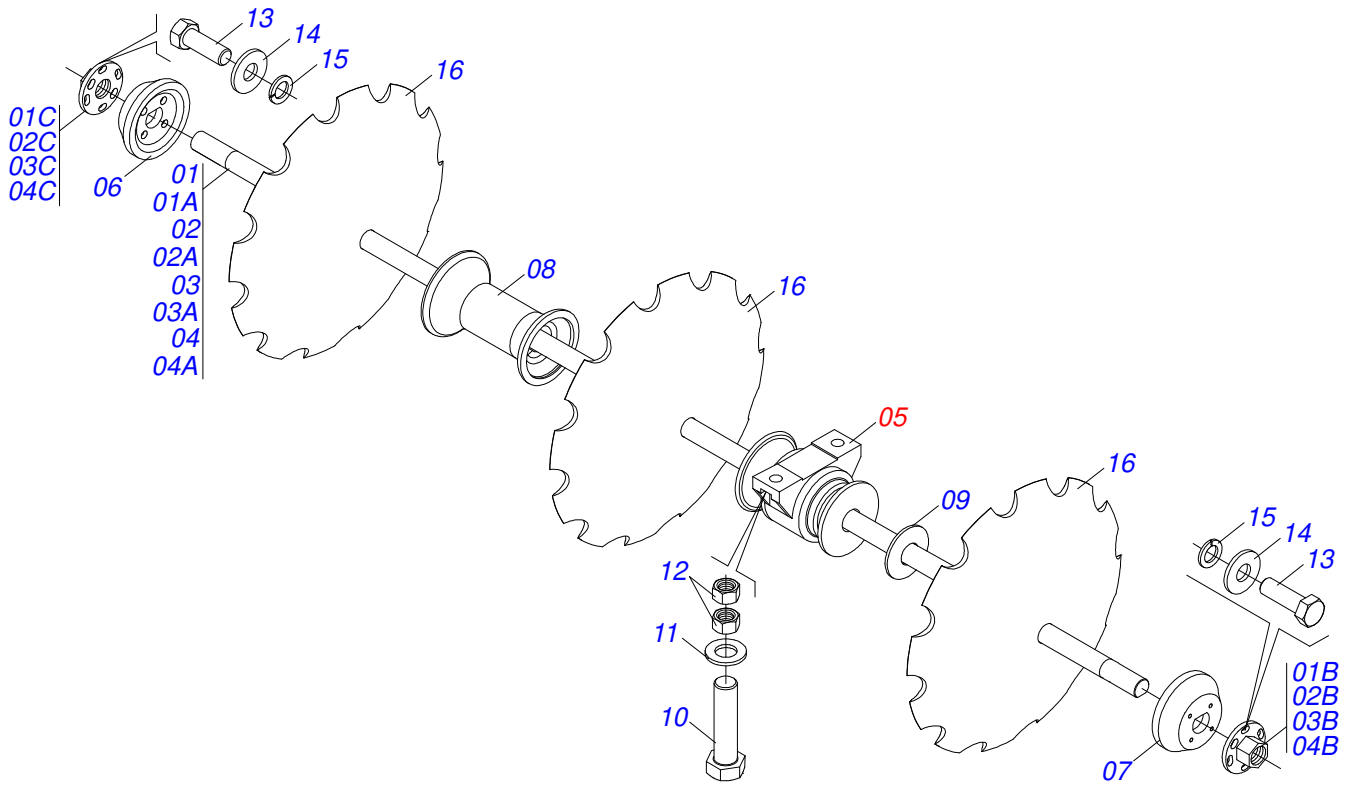
Item	Code	Description	See page	QT
01	0503062227	DRAWBAR JACK		01



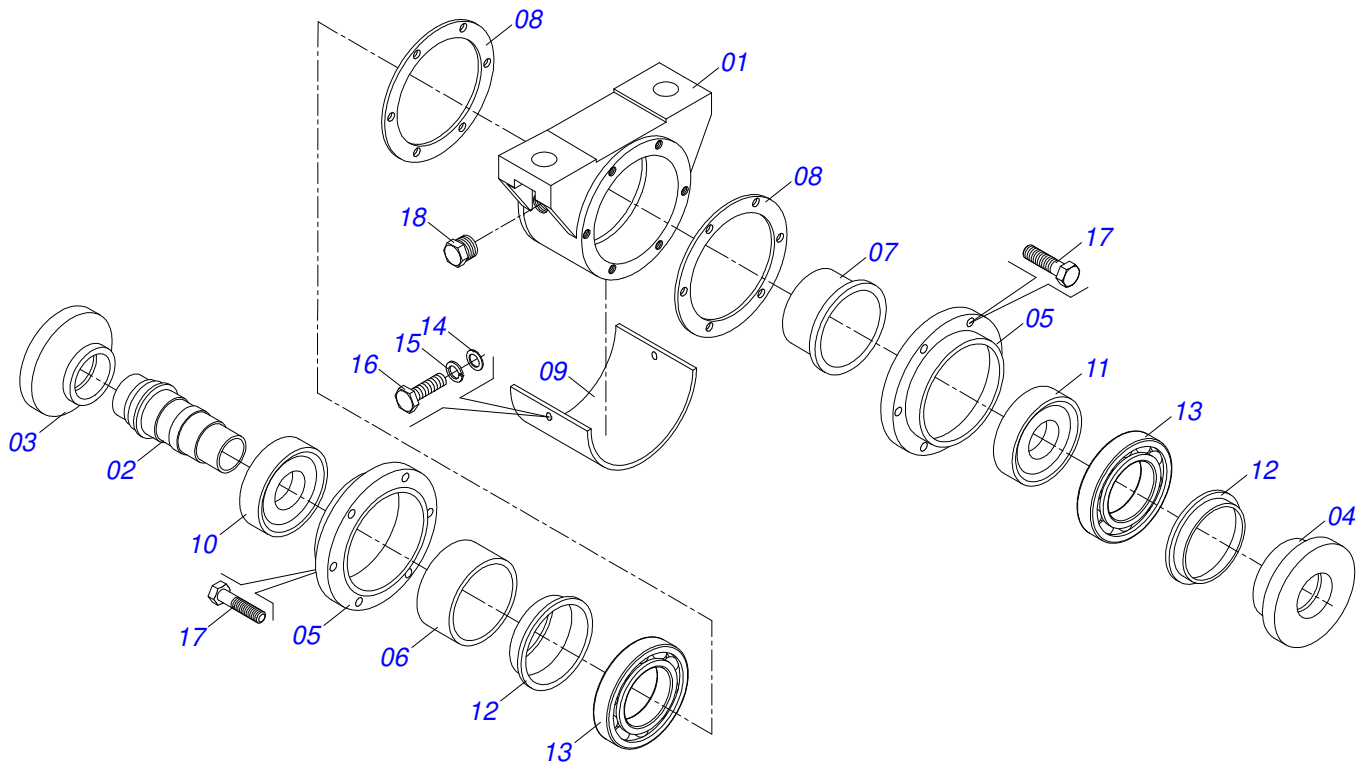
Item	Code	Description	See page	QT
01	0501048562	HYDRAULIC CYLINDER 53,98X101,6X630X300	2	01
02	0551012528	ADAPTER (GND)		02
03	0501080640	3/8 X 7200 TC-TM HOSE		02
04	0501053834	MALE QUICK COUPLER WITH CAP - 1/2 NPT	9	02



Item	Code	Description	See page	QT
01	0503011627	MALE QUICK COUPLER AGR 1/2 NPT		01
02	0503011882	MALE QUICK COUPLER CAP		01



Item	Code	Description	See page	12	14	16	18
01	0511050245	DISC AXLE 2" UNC X 2044 WITH NUT		02	00	00	00
01A	0521014358	DISC AXLE		01	00	00	00
01B	0502011580	RIGHT NUT		01	00	00	00
01C	0502011581	LEFT NUT		01	00	00	00
02	0511050179	DISC AXLE 2" UNC X 2405 WITH NUT		00	02	00	00
02A	0521013683	DISC AXLE		00	01	00	00
02B	0502011580	RIGHT NUT		00	01	00	00
02C	0502011581	LEFT NUT		00	01	00	00
03	0511050168	DISC AXLE 2" UNC X 1322 WITH NUT		00	00	04	02
03A	0521013942	DISC AXLE		00	00	01	01
03B	0502011580	RIGHT NUT		00	00	01	01
03C	0502011581	LEFT NUT		00	00	01	01
04	0511050172	DISC AXLE 2" UNC X 1682 WITH NUT		00	00	00	02
04A	0521014510	DISC AXLE		00	00	00	01
04B	0502011580	RIGHT NUT		00	00	00	01
04C	0502011581	LEFT NUT		00	00	00	01
05	0501048557	BEARING OIL	11	04	06	08	08
06	0502011577	OUTER FLANGE		02	02	04	04
07	0502011578	INNER FLANGE		02	02	04	04
08	0502011579	SPACER		06	06	04	06
09	0521013670	CHUCK		02	02	04	04
10	0503010901	3/4UNC 3.1/2 BOLT		08	12	16	16
11	0521013710	WASHER SEMIMAN		08	12	16	16
12	0503012183	SNC 3/4" ZIN 1K03097 NUT		16	24	32	32
13	0503010834	1/2 X 1 BOLT		08	08	16	16
14	0501010937	13.5 X 28 X 3 FLAT WASHER		08	08	16	16
15	0503010019	1/2" SPRING WASHER		08	08	16	16
16	0602040004	30" X 7,5 NOTCHED DISC BLADE		12	14	16	18
16.	0602044165	32" X 0.3" NOTCHED DISC BLADE		12	14	16	18
16..	0602046009	34 X 9 MM NOTCHED DISC		12	14	16	18



Item	Code	Description	See page	QT
01	0502011641	BEARIN BODY		01
02	0502011633	CENTER DEARIN		01
03	0502011630	WASHER CONCAVE		01
04	0502011631	WASHER CONVEX		01
05	0502011632	BEARING COVER		02
06	0502011827	SPACER		01
07	0502011629	SPACER		01
08	0503031502	JOINT BEARIN		02
09	0521013855	PLATE PROTECTION		01
10	0502011627	HOUSING RETAINE		01
11	0502011628	HOUSING RETAINE		01
12	0503012824	RETAINER		02
13	0503012285	32212 ROLLER BEARING		02
14	0501010984	FLAT WASHER		02
15	0503010025	3/8" SPRING WASHER		02
16	0503011334	BOLT 3/8 UNC X 3/4 CS G.5 ZN		02
17	0503010237	3/8" X 1" BOLT		12
18	0503010856	OIL PLUG		01







***civemasa***

**Technical Publications | Elaboration and Revision**

ALESSANDRA PATRICIA KAWAHARA CARRILI

[www.civemasa.com.br](http://www.civemasa.com.br)

