

# PARTS CATALOGUE

## DISK HARROWS

**Code:**

0501091028

**Product:**

GASPCRC-EHD 10020 - HYDRAULICS - AXIS 2.1/2" -  
12/14/16/18/20/22/26D



**Series:**

S-0214

**Revision:**

00

**Revision Date:**

DEZEMBRO/2016

# PRODUCTS

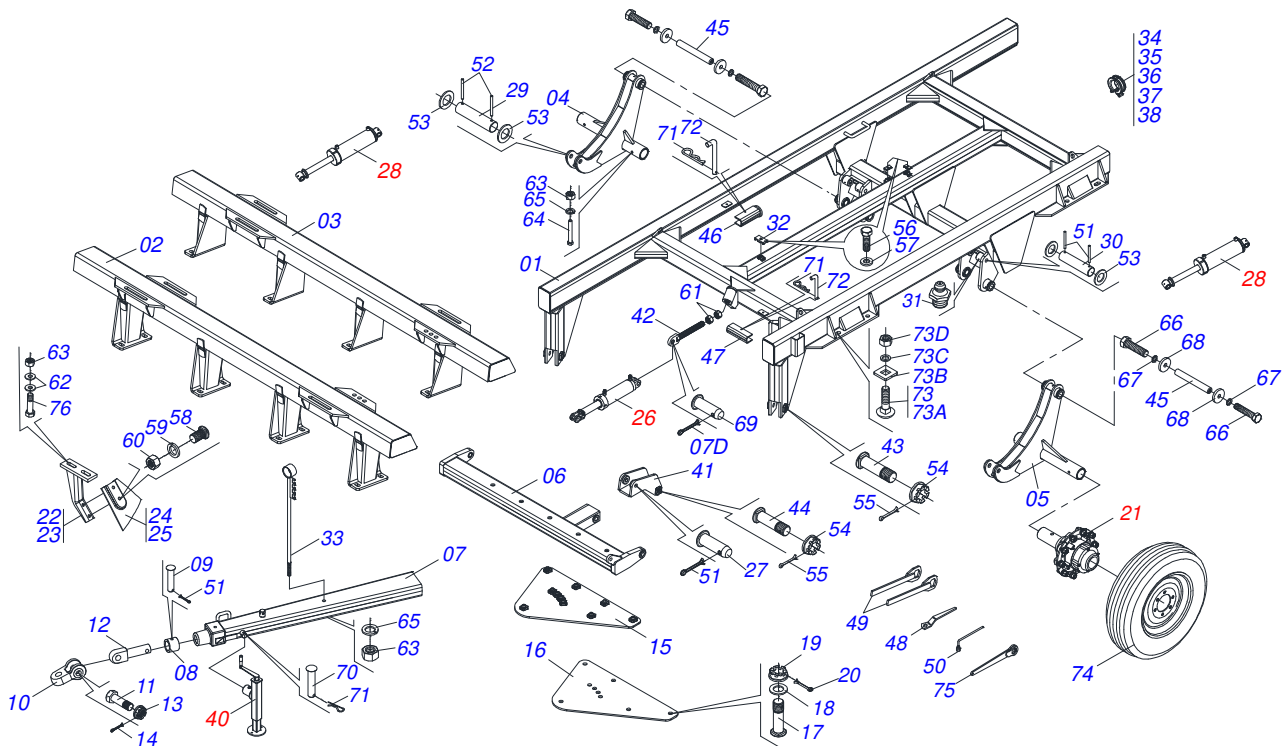
Code	Description
0121510040	GASPCRC EHD 10020 12X40X12DM C/PN S-0214
0121510034	GASPCRC EHD 10020 14 X 42 X 12 DM S-0214
0121510037	GASPCRC EHD 10020 16 X42 X 12 DM S-0214
0121510010	GASPCRC EHD 10020 16X40X12DM S-0214
0121510035	GASPCRC EHD 10020 18 X 42 X 12 DM S-0214
0121510012	GASPCRC EHD 10020 18X36X12DM S-0214
0121510013	GASPCRC EHD 10020 18X38X12DM S-0214
0121510027	GASPCRC EHD 10020 18X40X12 S-0214
0121510014	GASPCRC EHD 10020 20X36X12DM S-0214
0121510015	GASPCRC EHD 10020 20X38X12DM S-0214
0121510038	GASPCRC EHD 10020 20X40X12 DM S-0214
0121510009	GASPCRC EHD 10020 20X42X12DM S-0214
0121510016	GASPCRC EHD 10020 22X38X12DM S-0214
0121510039	GASPCRC EHD 10020 22X40X12 DM S-0705
0121510017	GASPCRC EHD 10020 26X36X12DM S-0214
0121510018	GASPCRC EHD 10020 26X38X12DM S-0214
0121510019	GASPCRC EHD 10020 26X40X12DM S-0214
0121510011	GASPCRC EHD 10020 26X42X12DM S-0214

## ATTENTION: IMPORTANT

Civemasa reserves the right to improve and / or modify the technical features of its products, without obligation to do the same with those products already sold and without prior knowledge of the dealer or the consumer.

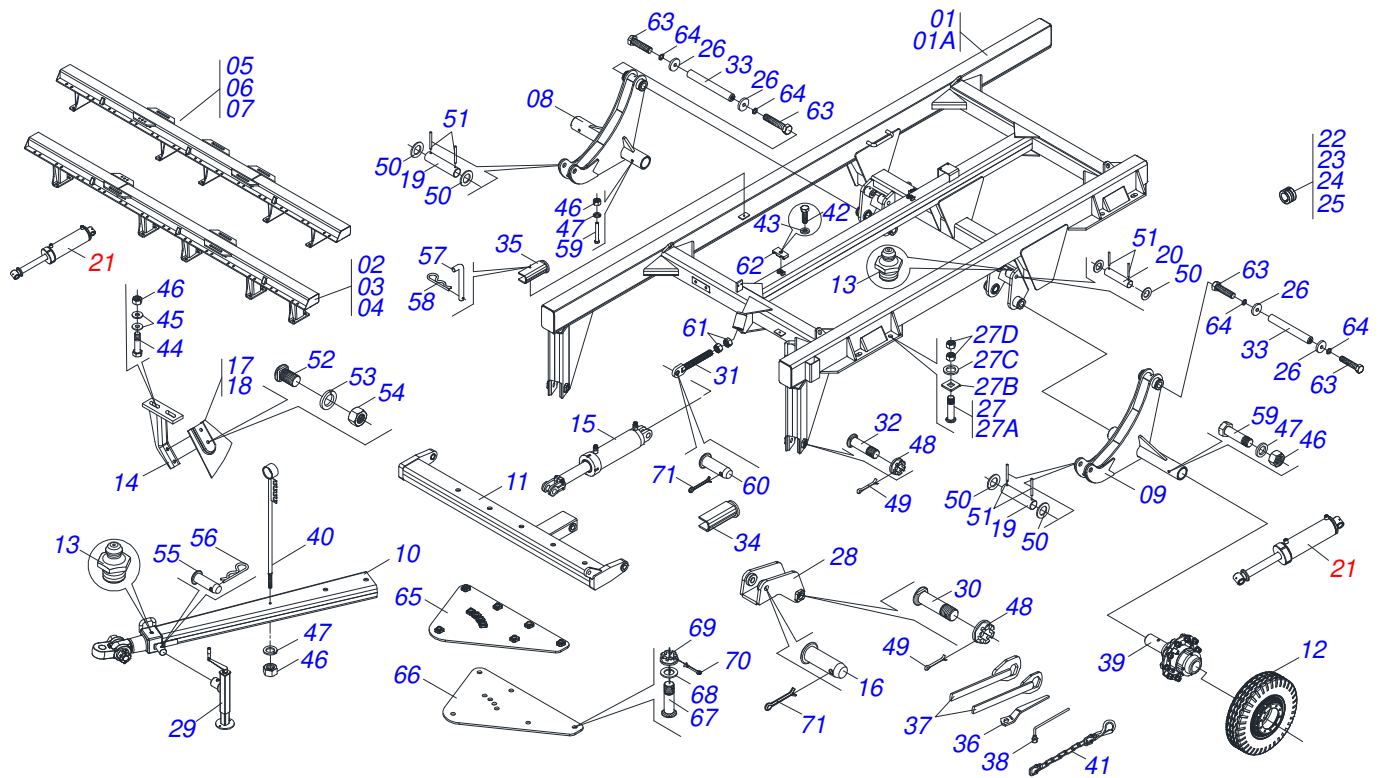
# INDEX

0909092214	12/14/16 DISCS FRAME	.....	1
0909094666	FRAME 18/20/22 DISC	.....	2
0909094667	FRAME 26 DISC	.....	3
0511045200	ASSY TRACTION BAR WITH HITCH 3"	.....	4
0511041592	DRAWBAR ASSY	.....	5
0511048619	HYDRAULIC CYLINDER	.....	6
0511058419	HYDRAULIC CYLINDER 50,80 X 101,60 X 514 X 206	.....	7
0511048088	DRAWBAR JACK	.....	8
0501057120	WHEEL WITHOUT TIRE	.....	9
0909094254	12/14 HYDRAULIC CIRCUIT	.....	10
0909094668	16 TO 26 HYDRAULIC CIRCUIT	.....	11
0909092289	12/14/16 GANG DISC	.....	12
0909094669	GANG DISC	.....	13
0909094670	GANG DISC 18/20 E 26 DR 36	.....	14
0909094492	GANG DISC	.....	15
0909094493	GANG DISC 20/26 DR42	.....	16
0511042200	495MM X 2-1/2" RD. OIL BATH BEARING	.....	17



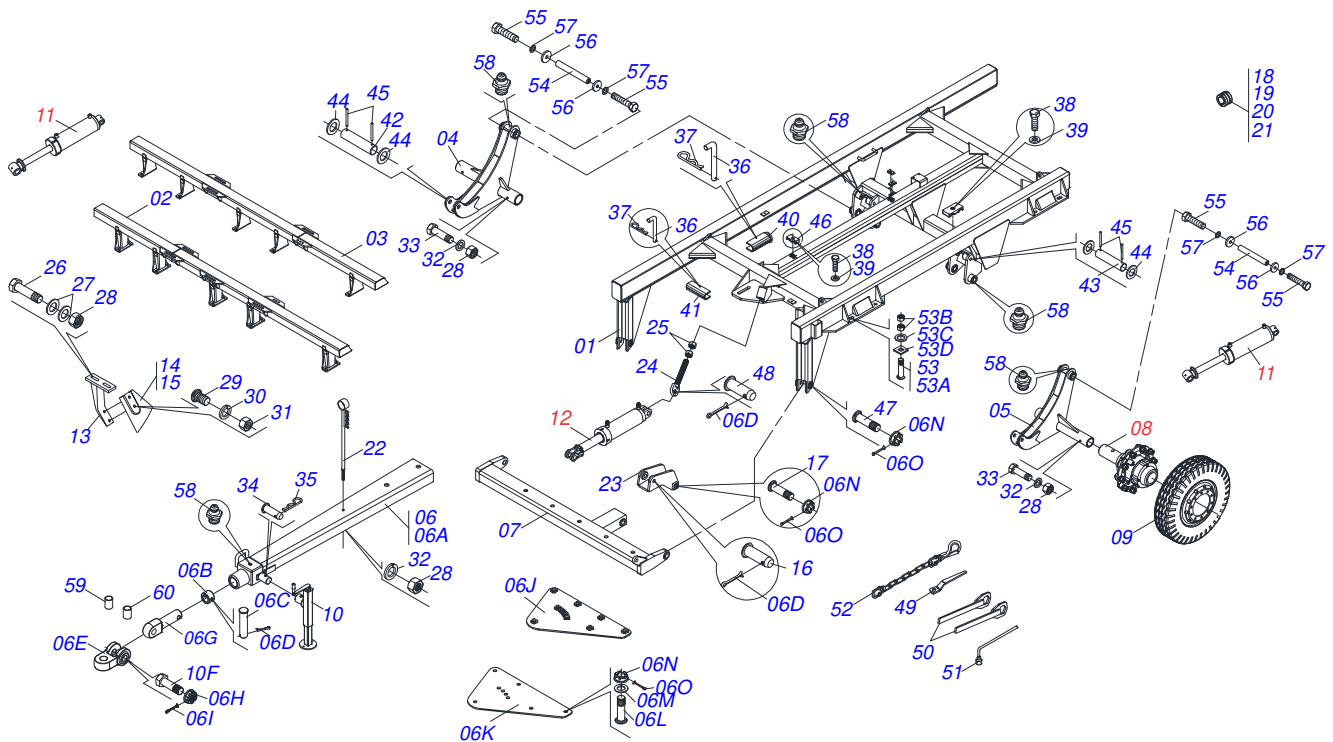
Item	Code	Description	See page	12/14/16
01	0521062922	FRAME GASPCRC/GASPCRC S-0705		00 00 01
01.	0521066347	CENTER FRAME		01 00 00
02	0511066942	FRONT FRAME		00 00 01
02.	0521067950	FRONT FRAME		01 00 00
03	0511066943	REAR FRAME		00 00 01
03.	0521067951	REAR FRAME		01 00 00
04	0511066741	RIGHT CARRYING-WHEELS SUPPORT		01 01 01
05	0511066611	LEFT CARRYING-WHEELS SUPPORT		01 01 01
06	0511066580	2135 OFFSET BAR		00 00 01
06.	0511045200	ASSY TRACTION BAR WITH HITCH 3"	4	00 00 01
07	0511064669	DRAWBAR ASSY		00 00 01
08	0502040263	ANEL TRAVA ENGATE		00 00 01
09	0561017306	COUPLING SHAFT		00 00 01
10	0502040293	YH-90 CLEVIS		00 00 01
11	0511067199	2" BOLT		00 00 01
12	0502040264	DRAWBOLT		00 00 01
13	0502040558	2" CASTLE NUT		00 00 01
14	0503010074	3/8 X 0,15" COTTERPIN		00 00 01
15	0511064659	UPPER PLATE		00 00 01
16	0511064658	LOWER PLATE		00 00 01
17	0521011880	37,5 X 242 COUPLING SHAFT		00 00 06
18	0501012916	FLAT WASHER 38,50 X 66 X 4,75 ZN		00 00 06
19	0501011301	1.1/2 UNC 6FPP 2.5/16 NUT		00 00 06
20	0503010010	1/4" X 2.1/2" COTTERPIN		00 00 06
21	0501057120	WHEEL WITHOUT TIRE	9	02 02 02
22	0511064771	FRONT SCRAPER SUPPORT		06 07 08
23	0511064772	REAR SCRAPER SUPPORT		06 07 08
24	0521013678	FRONT CLEANER		06 07 08
25	0521013679	REAR CLEANER		06 07 08
26	0511058419	HYDRAULIC CYLINDER 50,80 X 101,60 X 514 X 206	7	01 01 01
27	0531019171	1.25" X 7" COUPLING SHAFT		01 01 01

Item	Code	Description	See page	12/14/16
28	0511048619	HYDRAULIC CYLINDER	6	00 00 02
28.	0521051832	HYDRAULIC CYLINDER		02 00 00
29	0531018101	1.2" X 6.3" PIVOT SHAFT		02 02 02
30	0531018105	1.2" X 11.8" PIVOT SHAFT		02 02 02
31	0503010002	1800 GREASE FITTING		15 15 15
32	0502012702	BODY SUPPORT CLAMP		02 02 02
33	0521062849	HOSE HOLDER ASSY		01 01 01
34	0501047895	ROD STOP		03 03 03
35	0501047885	ROD STOP		03 03 03
36	0501047886	ROD STOP		03 03 03
37	0501047887	ROD STOP		03 03 03
38	0501047885	ROD STOP		03 03 03
40	0511048088	DRAWBAR JACK	8	01 01 01
41	0511064656	DRAWBAR PIVOT		01 01 01
42	0511064433	REGULATOR SPINDLE 1-3/4		01 01 01
43	0541014119	37.5 X 195 COUPLING SHAFT		02 02 02
44	0521012053	1.5" X 8.6" AXLE		01 01 01
45	0531018062	COUPLING SHAFT		02 02 02
46	0511066639	TRANSPORT LOCK		02 02 02
47	0551010332	TRANSPORT LOCK		01 01 01
48	0501011432	1-1/2" AND 1-5/8 GANG BOLT WRENCH		01 01 01
49	0501061044	2-1/8" AND 2-1/2" CABLE FLAT WRENCH		02 02 02
50	0503016137	1-1/4" WRENCH CABLE CYLINDER		01 01 01
51	0503010523	1/4" X 2" COTTERPIN		02 02 02
52	0503011877	0.3" X 2.4" SPRING PIN		08 08 08
53	0501017779	32 X 60 X 4.75 FLAT WASHER		08 08 08
54	0501011301	1.1/2 UNC 6FPP 2.5/16 NUT		03 03 03
55	0503010010	1/4" X 2.1/2" COTTERPIN		03 03 03
56	0503012555	SCREW 7/16 UNC X 2 CS RT G.7 ZN		04 04 04
57	0503010180	7/16" SPRING WASHER		04 04 04
58	0503012195	5/8" NUT		24 28 32
59	0503010027	5/8" SPRING WASHER		24 28 32
60	0503010013	5/8" NUT		24 28 32
61	0501010333	1.3/4" NUT		02 02 02
62	0541010763	FLAT WASHER		48 56 64
63	0503010014	3/4" NUT		29 33 37
64	0503011198	C3/4" X 6" SCREW		04 04 04
65	0503010023	3/4" SPRING WASHER		05 05 05
66	0503011250	1" X 2" BOLT		04 04 04
67	0503010012	1" SPRING WASHER		04 04 04
68	0521011565	FLAT WASHER		04 04 04
69	0521012538	1.2" X 3.5" COUPLING SHAFT		01 01 01
70	0561014251	COUPLING SHAFT		01 01 01
71	0503030285	HAIR PIN		04 04 04
72	0541016844	FIXER LOCK		03 03 03
73	0501041301	1-1/4"X 5-3/4" ASSY BOLT		08 08 08
73A	0501810954	BOLT		08 08 08
73B	0501010953	1-1/4" SQUARE WASHER		08 08 08
73C	0531010713	FLAT WASHER		08 08 08
73D	0501010087	1.1/4" NUT		08 08 08
74	0503061582	TIRE WHEELS		02 02 02
75	0521062858	1.1/4" WRENCH NUT		01 01 01
76	0501010500	3/4"X3"BOLT		24 28 32



Item	Code	Description	See page	18	20	22
01	0511052691	FRAME GASPCR - 495 18 THE 24		01	01	01
01A	0521062922	FRAME GASPCRC/GASPCRC S-0705		01	01	01
02	0521063596	FRONT GANG CARRIER GASPCRC		01	00	00
03	0521064495	FRONT GANG CARRIER GASPCRC		00	01	00
04	0521063656	FRONT GANG CARRIER GASPCRC		00	00	01
05	0521063597	REAR GANG CARRIER GASPCRC		01	00	00
06	0521064496	REAR GANG CARRIER GASPCRC		00	01	00
07	0521063655	REAR GANG CARRIER GASPCRC		00	00	01
08	0511066741	RIGHT CARRYING-WHEELS SUPPORT		01	01	01
09	0511066611	LEFT CARRYING-WHEELS SUPPORT		01	01	01
10	0511041592	DRAWBAR ASSY	5	01	01	01
11	0511066580	2135 OFFSET BAR		01	01	01
12	0503061582	TIRE WHEELS		04	04	04
13	0503010002	1800 GREASE FITTING		11	11	11
14	0511064771	FRONT SCRAPER SUPPORT		18	20	22
15	0511058419	HYDRAULIC CYLINDER 50,80 X 101,60 X 514 X 206	7	01	01	01
16	0531019171	1.25" X 7" COUPLING SHAFT		01	01	01
17	0521013678	FRONT CLEANER		09	10	11
18	0521013679	REAR CLEANER		09	10	11
19	0531018101	1.2" X 6.3" PIVOT SHAFT		02	02	02
20	0531018105	1.2" X 11.8" PIVOT SHAFT		02	02	02
21	0511048619	HYDRAULIC CYLINDER	6	02	02	02
22	0501047895	ROD STOP		09	09	09
23	0501047885	ROD STOP		09	09	09
24	0501047886	ROD STOP		03	03	03
25	0501047887	ROD STOP		03	03	03
26	0521011565	FLAT WASHER		04	04	04
27	0501041301	1-1/4" X 5-3/4" ASSY BOLT		08	08	08
27A	0501010954	1-1/4" X 5-3/4" BOLT		08	08	08
27B	0501010953	1-1/4" SQUARE WASHER		08	08	08
27C	0531810713	FLAT WASHER		08	08	08

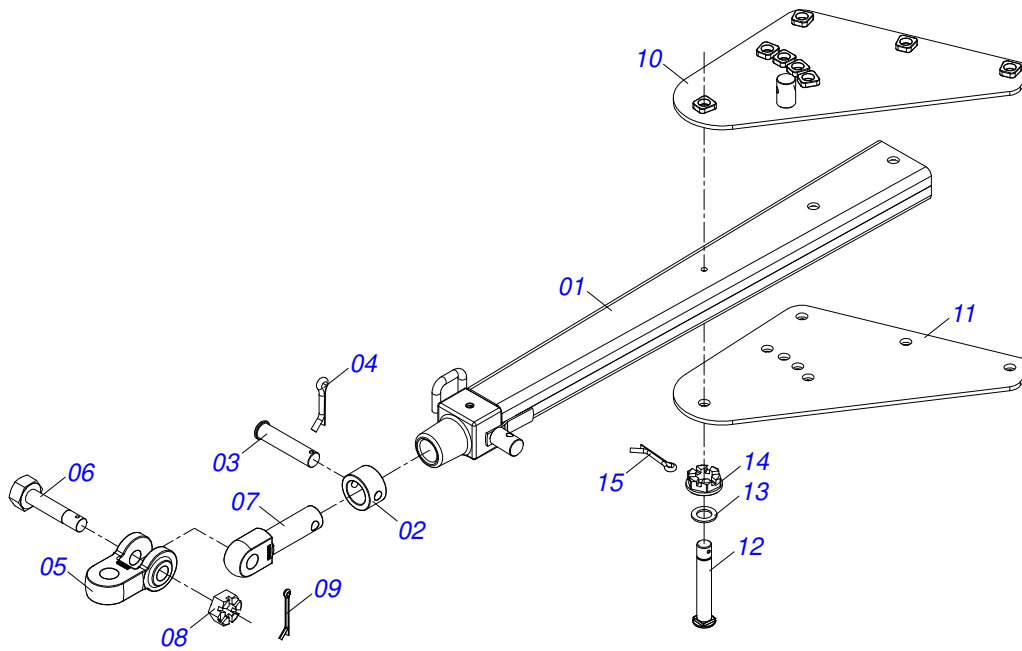
Item	Code	Description	See page	18	20	22
27D	0501010087	1.1/4" NUT		16	16	16
28	0511064656	DRAWBAR PIVOT		01	01	01
29	0511048088	DRAWBAR JACK	8	01	01	01
30	0521012053	1.5" X 8.6" AXLE		01	01	01
31	0511064433	REGULATOR SPINDLE 1-3/4		01	01	01
32	0541014119	37.5 X 195 COUPLING SHAFT		02	02	02
33	0531018062	COUPLING SHAFT		02	02	02
34	0561016693	TRANSPORT LOCK		02	02	02
35	0551010332	TRANSPORT LOCK		01	01	01
36	0501011432	1-1/2" AND 1-5/8 GANG BOLT WRENCH		01	01	01
37	0501061044	2-1/8" AND 2-1/2" CABLE FLAT WRENCH		02	02	02
38	0503016137	1-1/4" WRENCH CABLE CYLINDER		01	01	01
39	0501057120	WHEEL WITHOUT TIRE	9	04	04	04
40	0521062849	HOSE HOLDER ASSY		01	01	01
41	0503013150	1300 X 3/8 CHAIN		01	01	01
42	0503012555	SCREW 7/16 UNC X 2 CS RT G.7 ZN		04	04	04
43	0503010180	7/16" SPRING WASHER		04	04	04
44	0501010500	3/4"X3"BOLT		36	40	44
45	0541010763	FLAT WASHER		72	80	88
46	0503010014	3/4" NUT		41	45	49
47	0503010023	3/4" SPRING WASHER		05	05	05
48	0501011301	1.1/2 UNC 6FPP 2.5/16 NUT		03	03	03
49	0503010010	1/4" X 2.1/2" COTTERPIN		03	03	03
50	0501017779	32 X 60 X 4.75 FLAT WASHER		08	08	08
51	0503011877	0.3" X 2.4" SPRING PIN		08	08	08
52	0503012195	5/8" NUT		36	40	44
53	0503010027	5/8" SPRING WASHER		36	40	44
54	0503010013	5/8" NUT		36	40	44
55	0561014251	COUPLING SHAFT		01	01	01
56	0503030012	HAIR PIN		01	01	01
57	0541016844	FIXER LOCK		03	03	03
58	0503030285	HAIR PIN		03	03	03
59	0503011198	C3/4" X 6" SCREW		04	04	04
60	0521012538	1.2" X 3.5" COUPLING SHAFT		01	01	01
61	0501010333	1.3/4" NUT		02	02	02
62	0502012702	BODY SUPPORT CLAMP		04	04	04
63	0503011250	1" X 2" BOLT		04	04	04
64	0503010012	1" SPRING WASHER		04	04	04
65	0511064659	UPPER PLATE		01	01	01
66	0511064658	LOWER PLATE		01	01	01
67	0521011880	37,5 X 242 COUPLING SHAFT		06	06	06
68	0501012916	FLAT WASHER 38,50 X 66 X 4,75 ZN		06	06	06
69	0501011301	1.1/2 UNC 6FPP 2.5/16 NUT		06	06	06
70	0503010010	1/4" X 2.1/2" COTTERPIN		06	06	06
71	0503010523	1/4" X 2" COTTERPIN		03	03	03



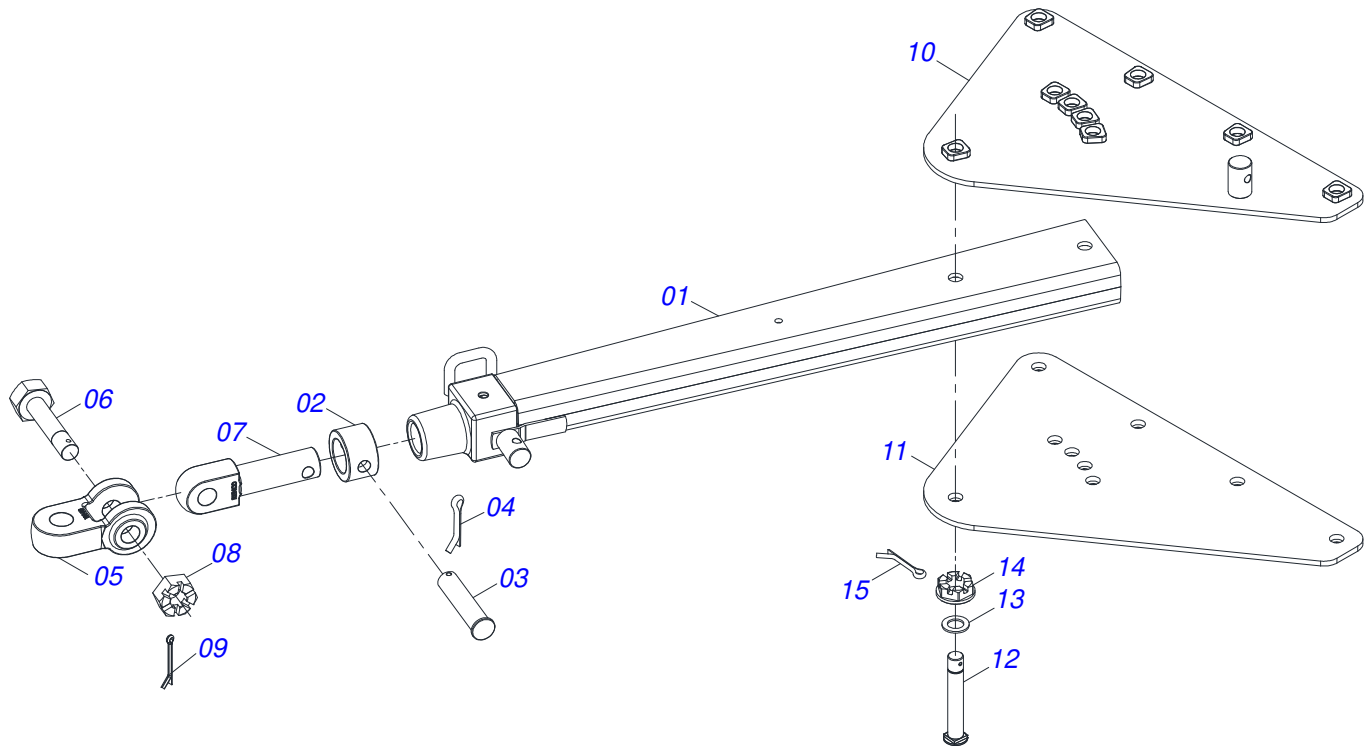
Item	Code	Description	See page	QT
01	0521062999	FRAME GASPCRC E- 495		01
02	0521063004	FRONT GANG CARRIER GASPCRC E-495		01
03	0521063005	REAR GANG CARRIER GASPCRC E-495		01
04	0511066741	RIGHT CARRYING-WHEELS SUPPORT		01
05	0511066611	LEFT CARRYING-WHEELS SUPPORT		01
06	0521041823	ASSY TRACTION BAR (PIN 3")		01
06A	0511064669	DRAWBAR ASSY		01
06B	0502040263	ANEL TRAVA ENGATE		01
06C	0561017306	COUPLING SHAFT		01
06D	0503010523	1/4" X 2" COTTERPIN		03
06E	0502040849	U COUPLING		01
06F	0511067199	2" BOLT		01
06G	0502040264	DRAWBOLT		01
06H	0502040558	2" CASTLE NUT		01
06I	0503010074	3/8 X 0,15" COTTERPIN		01
06J	0511064659	UPPER PLATE		01
06K	0511064658	LOWER PLATE		01
06L	0521011880	37,5 X 242 COUPLING SHAFT		06
06M	0501012916	FLAT WASHER 38,50 X 66 X 4,75 ZN		06
06N	0501011301	1.1/2 UNC 6FPP 2.5/16 NUT		09
06O	0503010010	1/4" X 2.1/2" COTTERPIN		09
07	0511066580	2135 OFFSET BAR		01
08	0501057120	WHEEL WITHOUT TIRE	9	04
09	0503061582	TIRE WHEELS		04
10	0511048088	DRAWBAR JACK	8	01
11	0511048619	HYDRAULIC CYLINDER	6	11
12	0511058419	HYDRAULIC CYLINDER 50,80 X 101,60 X 514 X 206	7	01
13	0511064771	FRONT SCRAPER SUPPORT		26
14	0521013678	FRONT CLEANER		13
15	0521013679	REAR CLEANER		13
16	0531019171	1.25" X 7" COUPLING SHAFT		01



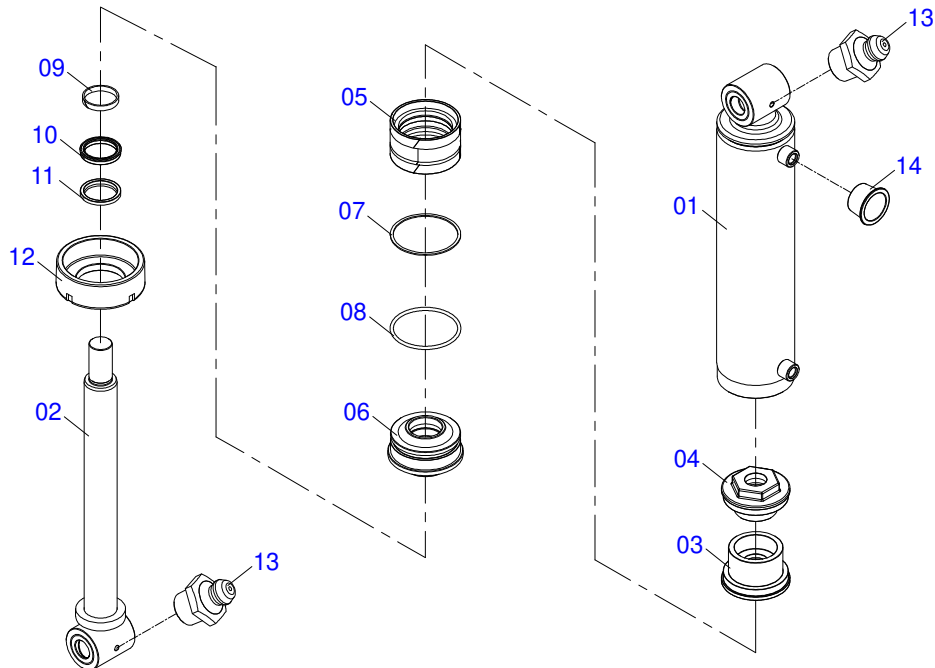
Item	Code	Description	See page	QT
17	0521012053	1.5" X 8.6" AXLE		01
18	0501047895	ROD STOP		09
19	0501047885	ROD STOP		09
20	0501047886	ROD STOP		03
21	0501047887	ROD STOP		03
22	0521062849	HOSE HOLDER ASSY		01
23	0511064656	DRAWBAR PIVOT		01
24	0511064433	REGULATOR SPINDLE 1-3/4		01
25	0501010333	1.3/4" NUT		02
26	0501010500	3/4"X3"BOLT		52
27	0541010763	FLAT WASHER		104
28	0503010014	3/4" NUT		57
29	0503012195	5/8" NUT		52
30	0503010027	5/8" SPRING WASHER		52
31	0503010013	5/8" NUT		52
32	0503010023	3/4" SPRING WASHER		05
33	0503011198	C3/4" X 6" SCREW		04
34	0561014251	COUPLING SHAFT		01
35	0503030012	HAIR PIN		01
36	0541016844	FIXER LOCK		03
37	0503030285	HAIR PIN		03
38	0503012555	SCREW 7/16 UNC X 2 CS RT G.7 ZN		04
39	0503010180	7/16" SPRING WASHER		04
40	0551010332	TRANSPORT LOCK		01
41	0561016693	TRANSPORT LOCK		02
42	0531018101	1.2" X 6.3" PIVOT SHAFT		02
43	0531018105	1.2" X 11.8" PIVOT SHAFT		02
44	0501017779	32 X 60 X 4.75 FLAT WASHER		08
45	0503011877	0.3" X 2.4" SPRING PIN		08
46	0502012702	BODY SUPPORT CLAMP		04
47	0541014119	37.5 X 195 COUPLING SHAFT		02
48	0521012538	1.2" X 3.5" COUPLING SHAFT		01
49	0501011432	1-1/2" AND 1-5/8 GANG BOLT WRENCH		01
50	0501061044	2-1/8" AND 2-1/2" CABLE FLAT WRENCH		02
51	0503016137	1-1/4" WRENCH CABLE CYLINDER		01
52	0503013150	1300 X 3/8 CHAIN		01
53	0501041301	1-1/4"X 5-3/4" ASSY BOLT		09
53A	0501010954	1-1/4" X 5-3/4" BOLT		09
53B	0501010087	1.1/4" NUT		18
53C	0531810713	FLAT WASHER		09
53D	0501010953	1-1/4" SQUARE WASHER		09
54	0531018062	COUPLING SHAFT		02
55	0503011250	1" X 2" BOLT		04
56	0521011565	FLAT WASHER		04
57	0503010012	1" SPRING WASHER		04
58	0503010002	1800 GREASE FITTING		11
59	0571013174	SLEEVE		01
60	0571013175	SLEEVE		01



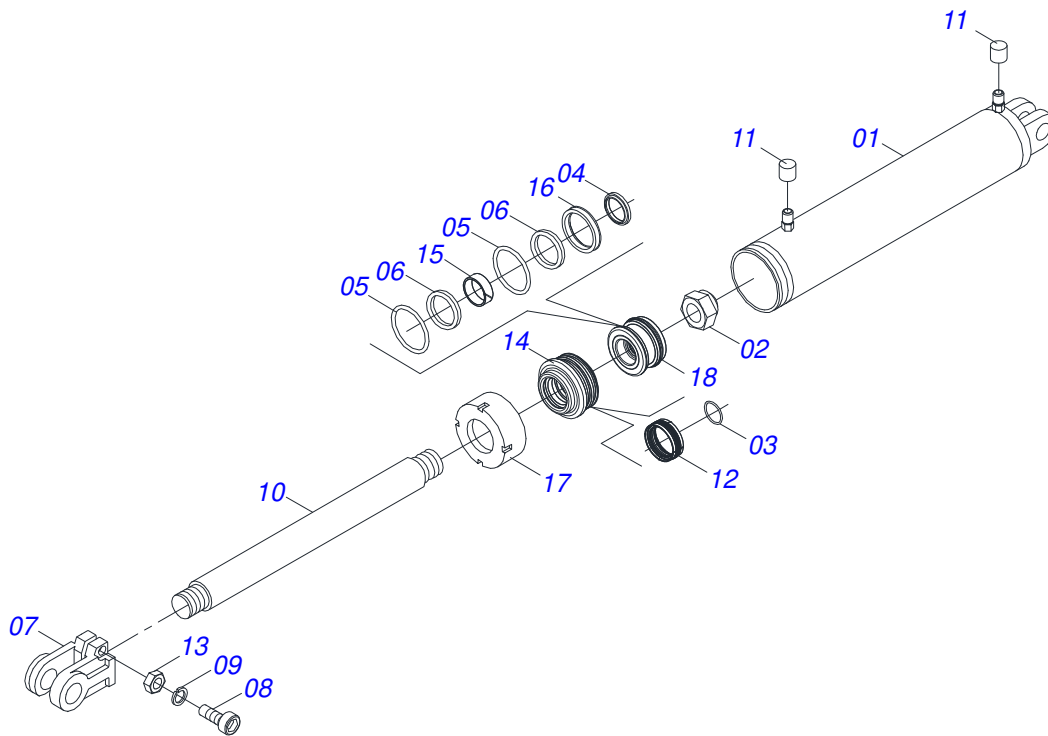
Item	Code	Description	See page	QT
001	0511064669	DRAWBAR ASSY		01
002	0502040263	ANEL TRAVA ENGATE		01
003	0561017306	COUPLING SHAFT		01
004	0503010523	1/4" X 2" COTTERPIN		01
005	0502040293	YH-90 CLEVIS		01
006	0511067199	2" BOLT		01
007	0502040264	DRAWBOLT		01
008	0502040558	2" CASTLE NUT		01
009	0503010074	3/8 X 0,15" COTTERPIN		01
010	0511067825	UPPER PLATE		01
011	0511067826	LOWER PLATE		01
012	0521011880	37,5 X 242 COUPLING SHAFT		05
013	0501012916	FLAT WASHER 38,50 X 66 X 4,75 ZN		05
014	0501011301	1.1/2 UNC 6FPP 2.5/16 NUT		05
015	0503010010	1/4" X 2.1/2" COTTERPIN		05



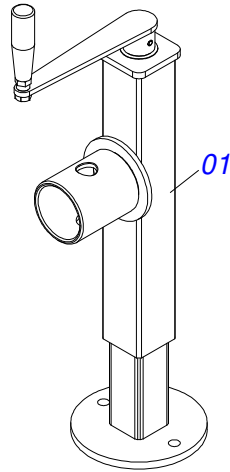
Item	Code	Description	See page	QT
01	0511064669	DRAWBAR ASSY		01
02	0502040263	ANEL TRAVA ENGATE		01
03	0561017306	COUPLING SHAFT		01
04	0503010523	1/4" X 2" COTTERPIN		01
05	0502040293	YH-90 CLEVIS		01
06	0511067199	2" BOLT		01
07	0502040264	DRAWBOLT		01
08	0502040558	2" CASTLE NUT		01
09	0503010074	3/8 X 0,15" COTTERPIN		01
10	0511064659	UPPER PLATE		01
11	0511064658	LOWER PLATE		01
12	0521011880	37,5 X 242 COUPLING SHAFT		06
13	0501012916	FLAT WASHER 38,50 X 66 X 4,75 ZN		06
14	0501011301	1.1/2 UNC 6FPP 2.5/16 NUT		06
15	0503010010	1/4" X 2.1/2" COTTERPIN		06



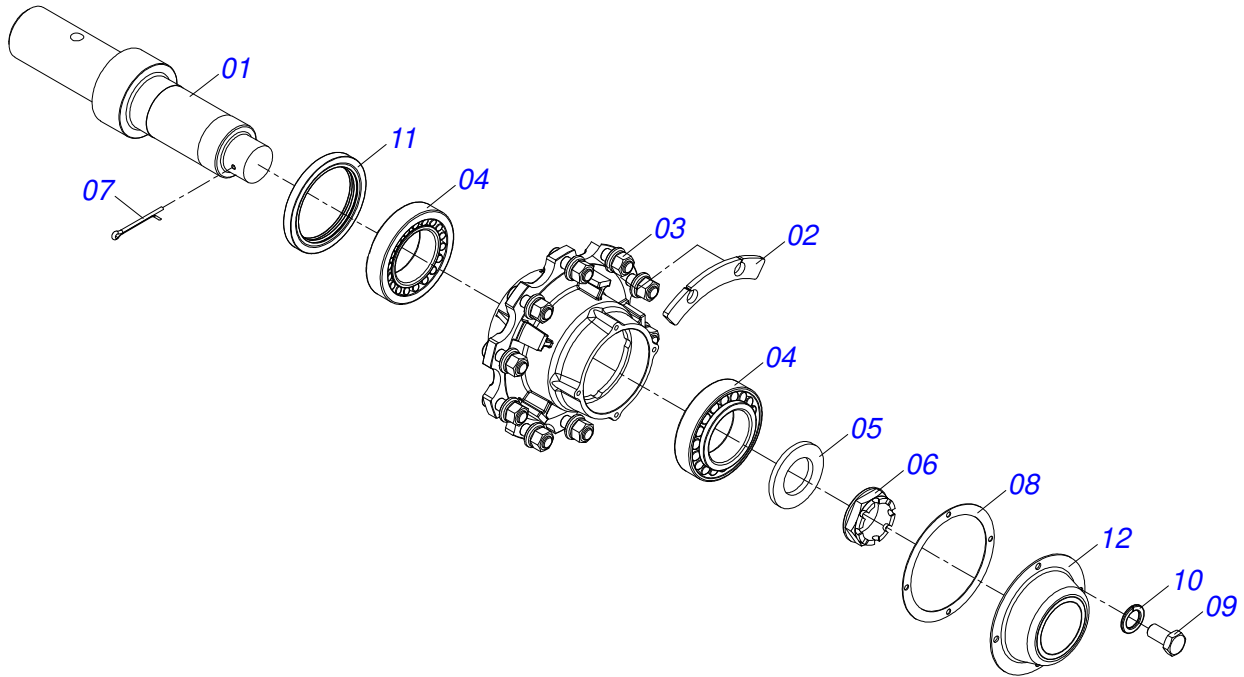
Item	Code	Description	See page	QT
01	0521061685	114,30 X 500 CYLINDER CASE		01
02	0521061684	56,98 X 590,50 TURNBUCKLE		01
03	0561016578	PISTON BODY		01
04	0502012643	PISTÓN BODY		01
05	0503015640	SEALING SELEMASTER		01
06	0502012644	RING SUPPORT		01
07	0503011893	BACK-UP RING, 8-346		01
08	0503011892	O' RING, 2-346 N 3006-9B		01
09	0503015641	WEAR RING		01
10	0503015642	U-CUP SEALING		01
11	0503015715	SCRAPER SEALING		01
12	0502011222	0.56" END CAP		01
13	0503010002	1800 GREASE FITTING		02
14	0503030384	CON PLUG N-001		02
15	0521041339	HYDRÁULIC CYLINDER REPAIR KIT		



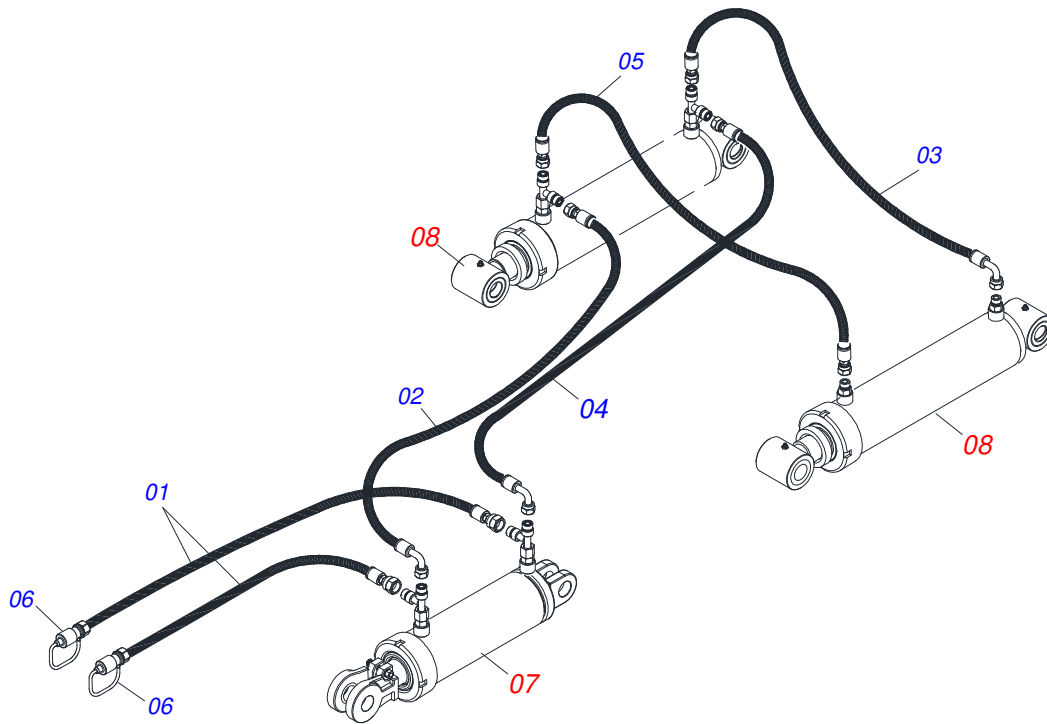
Item	Code	Description	See page	QT
001	0511061336	101,6 X 398 CYLINDER CASE		01
002	0503010817	1.1/4" SELF LOCKING NUT		01
003	0503010345	2-218 N 3006-9B O'RING		01
004	0503015636	SCRAPER SEAL		01
005	0503010338	2-342 N 3006-9B O'RING		02
006	0503011061	8-342 BACK-UP RING		02
007	0502040747	32.54 CLEVIS CLAMP		01
008	0503011094	3/8" X 2" BOLT		01
009	0503011443	3/8" SPRING WASHER		01
010	0521010422	HYDRAULIC CYLINDER TURNBUCKLE		01
011	0503030384	CON PLUG N-001		02
012	0503015633	SELEMASTER SEALING		01
013	0503010026	3/8" NUT		01
014	0581010678	50,80 X 101 RING SUPPORT		01
015	0503018025	RING GUIDE		01
016	0503018026	1870-2000-375 B GASKET		01
017	0502012822	101.60 END CAP		01
018	0502012842	50,80 X 101,60 PISTON		01
019	0511032511R	HYDRAULIC CYLINDER REPAIR KIT		01



Item	Code	Description	See page	QT
01	0503062227	DRAWBAR JACK		01

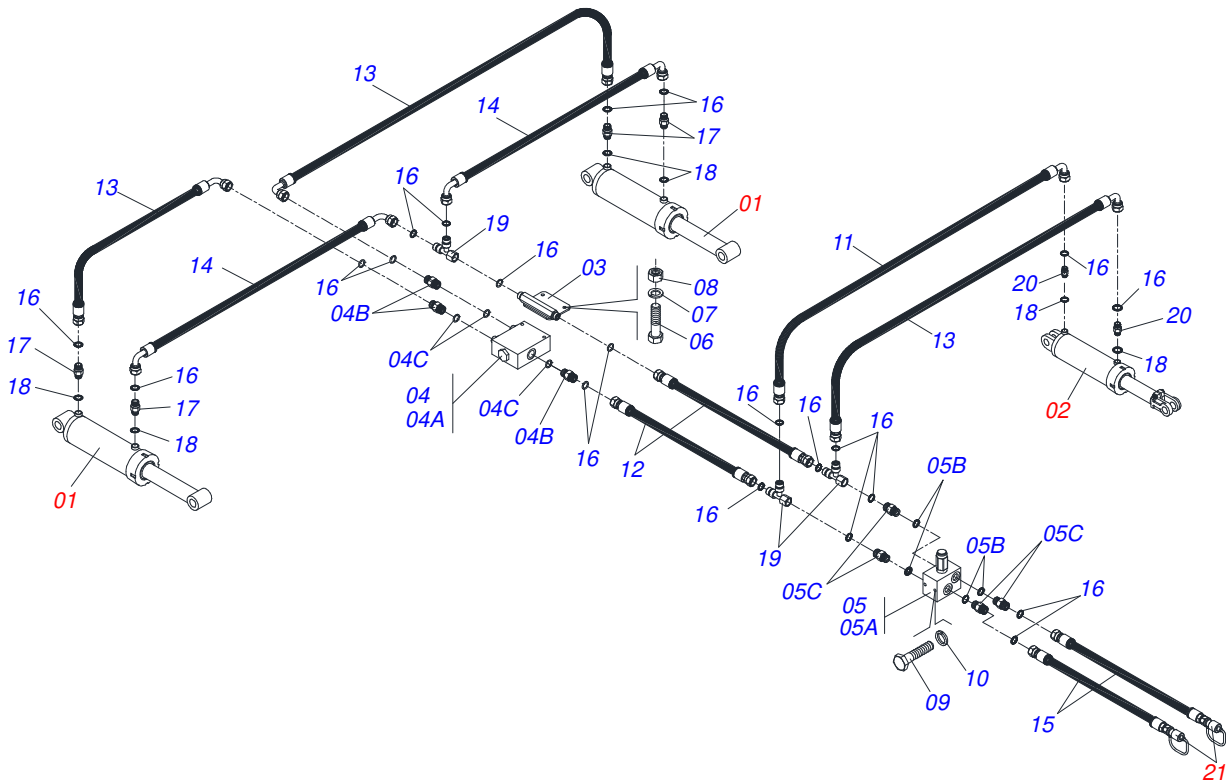


Item	Code	Description	See page	QT
01	0551011426	POINT AXIS R2.1/2UN		01
02	0561015521	FLANGE		05
03	0501110761	HUB AND BOLT		01
04	0503010118	32218 ROLLER BEARING		02
05	0531019986	64 X 110 X 9.5 FLAT WASHER		01
06	0502040080	2.1/2" SLOTTED NUT		01
07	0503012213	1/4" COTTERPIN		01
08	0503013548	DUST CAP		01
09	0503013546	10 X 1.5 X 20MM BOLT		04
10	0503013542	M10 SPRING WASHER		04
11	0503013541	SEAL		01
12	0503013549	HUB CUP		01

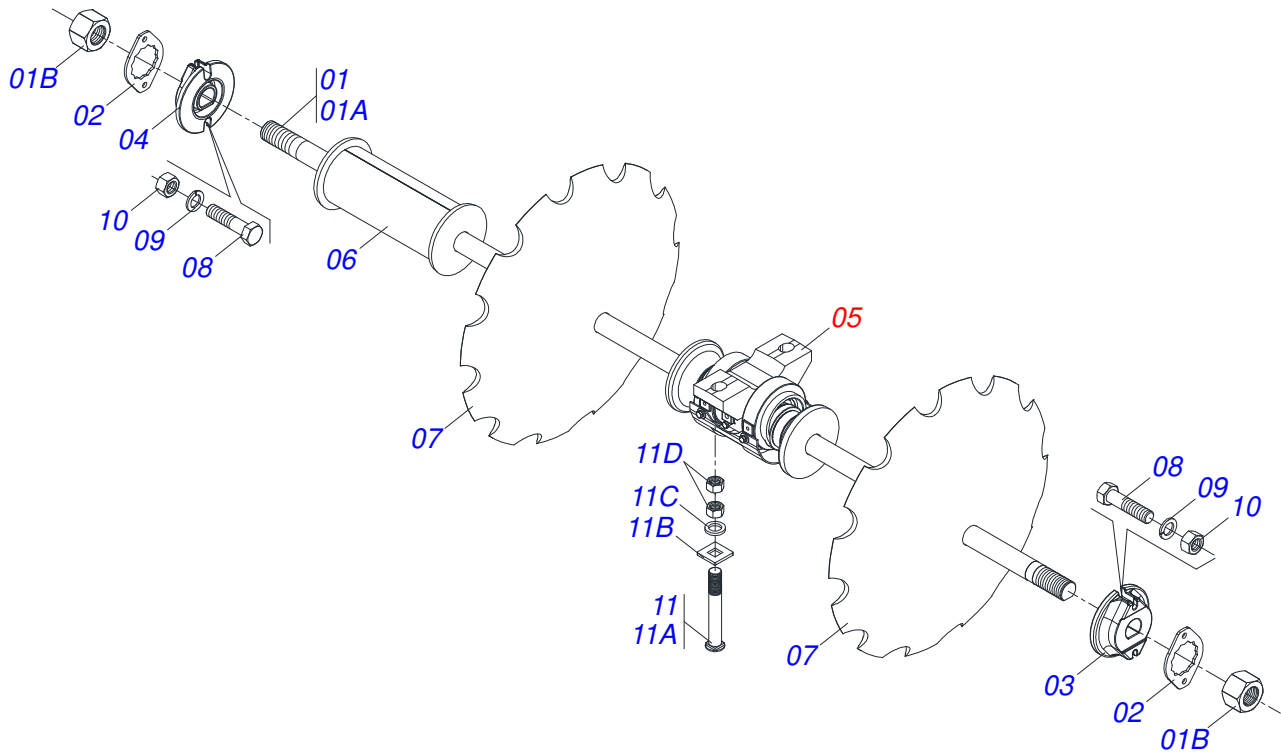


Item	Code	Description	See page	12/14
01	0501080917	1/2" X 5500 TR-TM HOSE ASSY		02 02
02	0501081075	1/2" X 4000 TR-TC HOSE ASSY		01 01
03	0501081620	1/2" X 1700 TC-TC HOSE		01 01
04	0501081935	1/2 X 4700 TR-TC TERM OFS HOSE		01 01
05	0501081114	1/2 X 1330 TR-TR HOSE ASSY		01 01
06	0501053834	MALE QUICK COUPLER WITH CAP - 1/2 NPT		02 02
07	0511058419	HYDRAULIC CYLINDER 50,80 X 101,60 X 514 X 206	7	01 01
08	0521051832	HYDRAULIC CYLINDER		02 02



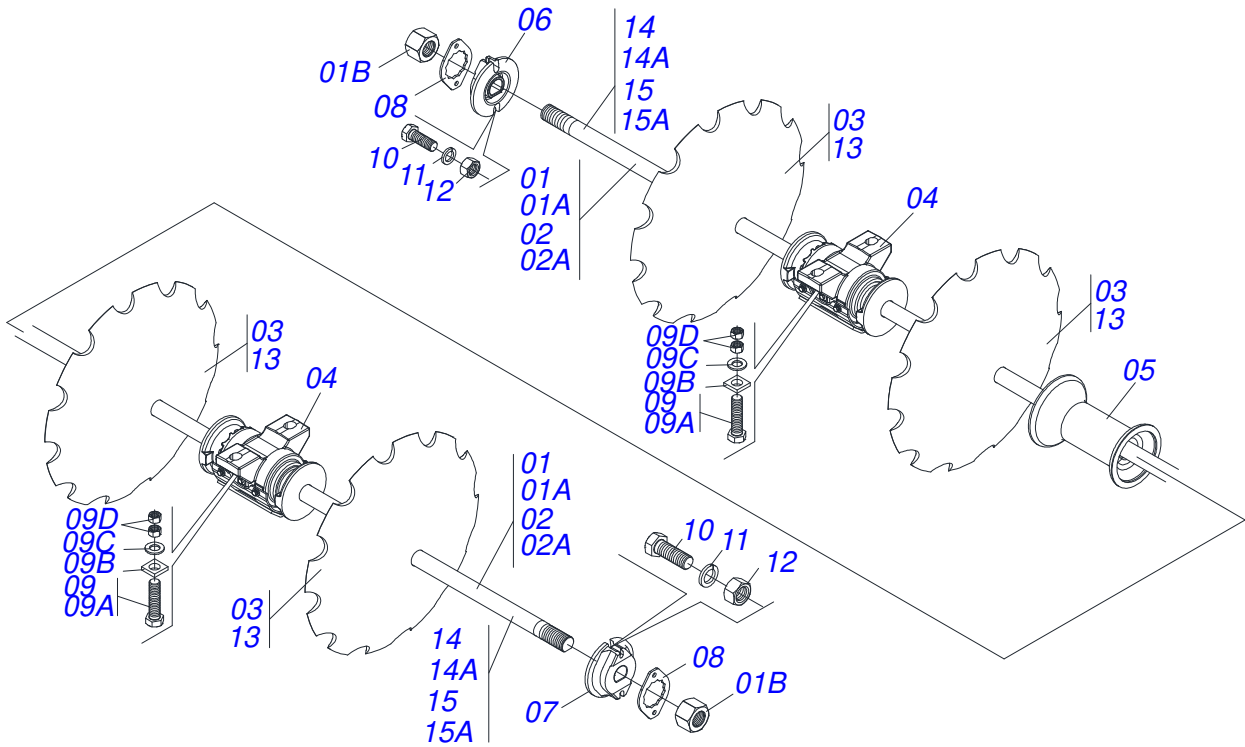


Item	Code	Description	See page	QT
01	0511048619	HYDRAULIC CYLINDER	6	01
02	0511048617	HYDRAULIC CYLINDER		02
03	0521062967	OIL TUBE DISTRIBUTOR		01
04	0511051627	FLOW DIVIDING VALVE		01
04A	0503016227	FLOW DIVIDING VALVE		01
04B	0571010736	NIPPLE R1.1/16 UN X 13/16UN OFS		03
04C	0503011109	2-119 N 3006-9B O'RING		03
05	0501055696	DISCHARGE VALVE OFS ASSY		01
05A	0503010919	DISCHARGE VALVE		01
05B	0503010190	2-114 N 3006-9B O'RING		04
05C	0503030923	3/4" UNF X 13/16UN OFS X 40 NIPPLE		04
06	0503011053	5/16" X 3" C S 6.5 ZN BOLT		02
07	0503010179	5/16" ZN SPRING WASHER		02
08	0503010337	5/16" NUT		02
09	0503010237	3/8" X 1" BOLT		02
10	0503010025	3/8" SPRING WASHER		02
11	0501081707	1/2" X 1000 TC-TR OFS HOSE		01
12	0501081708	1/2" X 2300 TR-TR OFS HOSE		02
13	0501081115	1/2" X 1330 TC-TR HOSE ASSY		03
14	0501081116	1/2 X 1630 TC-TC HOSE ASSY		02
15	0501080917	1/2" X 5500 TR-TM HOSE ASSY		02
16	0503011030	2-014 N 3006-9B O'RING		21
17	0503030923	3/4" UNF X 13/16UN OFS X 40 NIPPLE		04
18	0503010190	2-114 N 3006-9B O'RING		06
19	0503013637	T 1/2" MALE ADAPTER		03
20	0503032031	3/4" UNF REDUCTION NIPPLE		02
21	0501053834	MALE QUICK COUPLER WITH CAP - 1/2 NPT		02

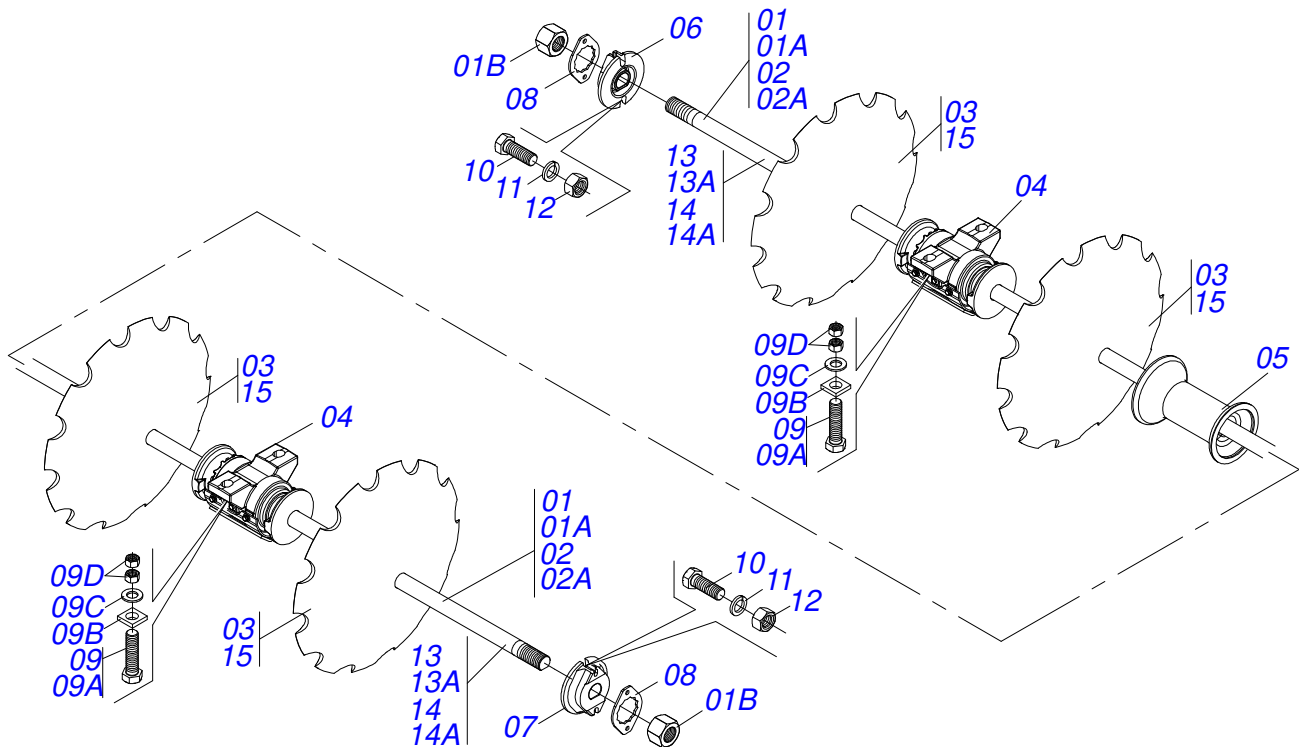


Item	Code	Description	See page	12/14/16
01.	0511044898	2.1/2 X 1810 AXLE WITH NUTS		00 00 04
01..	0521040419	AXLE WITH NUTS		00 02 00
01...	0511044953	2-1/2" X 2815 AXLE		02 00 00
01A.	0551010075	2.1/2 X 1810 AXLE		00 00 04
01A..	0571010567	2-1/2" X 3320 AXLE		00 01 00
01A...	0551010438	2.1/2" X 2815 AXLE		01 00 00
01B.	0502040064	2.1/2"SNC X 70 99 NUT		00 00 08
01B..	0502040064	2.1/2"SNC X 70 99 NUT		00 02 00
01B...	0502040064	2.1/2"SNC X 70 99 NUT		02 00 00
02	0541010368	NUT LOCK		04 04 08
03	0502010593	2-1/2" EXTERNAL AXLE WASHER		02 02 04
04	0502010592	2-1/2" INNER AXLE WASHER		02 02 04
05	0511042200	495MM X 2-1/2" RD. OIL BATH BEARING	17	04 06 08
06	0502012414	SPACER		06 06 04
07	0602051017	NOTCHED DISK		12 14 16
08	0503010232	5/8" X 1.3/4" BOLT		08 08 16
09	0503010027	5/8" SPRING WASHER		08 08 16
10	0503010013	5/8" NUT		08 08 16
11	0521040349	1-1/4" X 5.3/4" BOLT		08 12 16
11A	0501041301	1-1/4"X 5-3/4" ASSY BOLT		08 12 16
11B	0501010953	1-1/4" SQUARE WASHER		08 12 16
11C	0531010713	FLAT WASHER		08 12 16
11D	0501010087	1.1/4" NUT		16 24 32

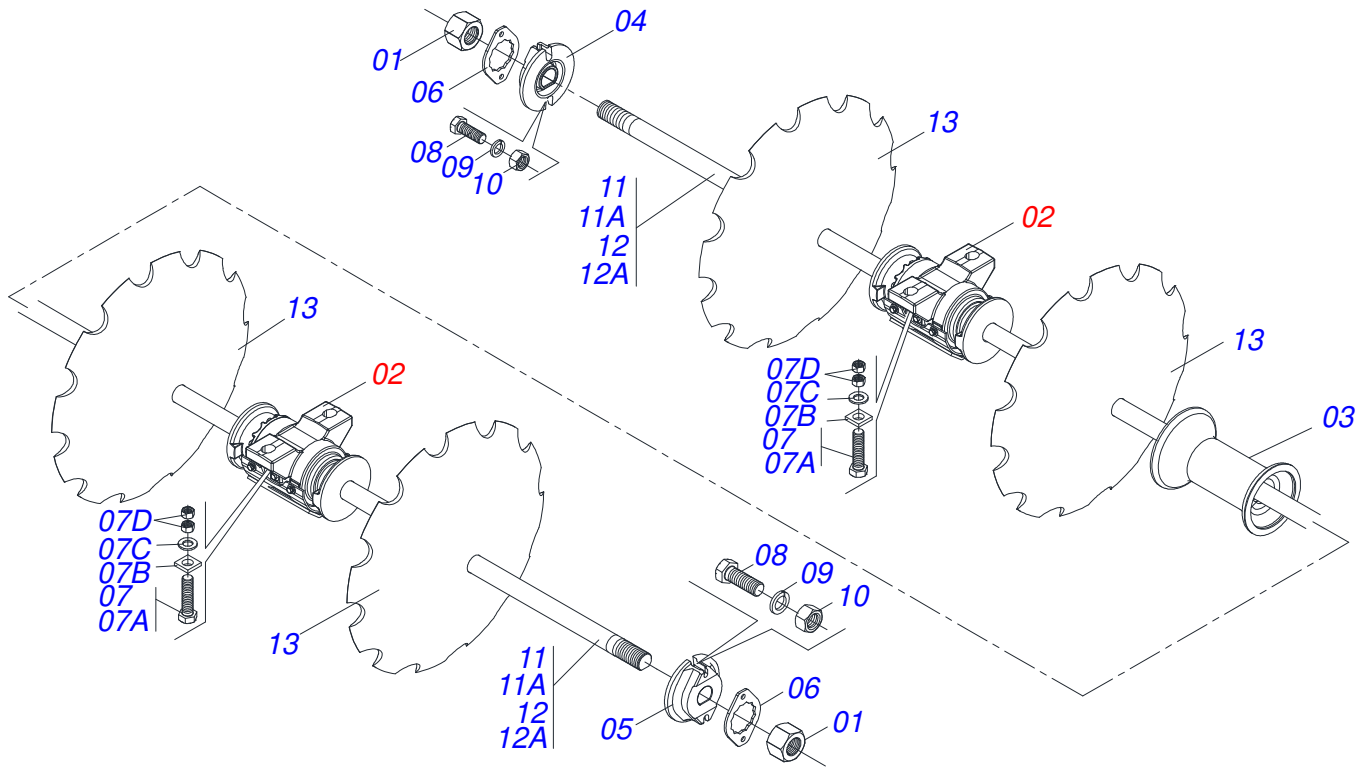
**GANG DISC**



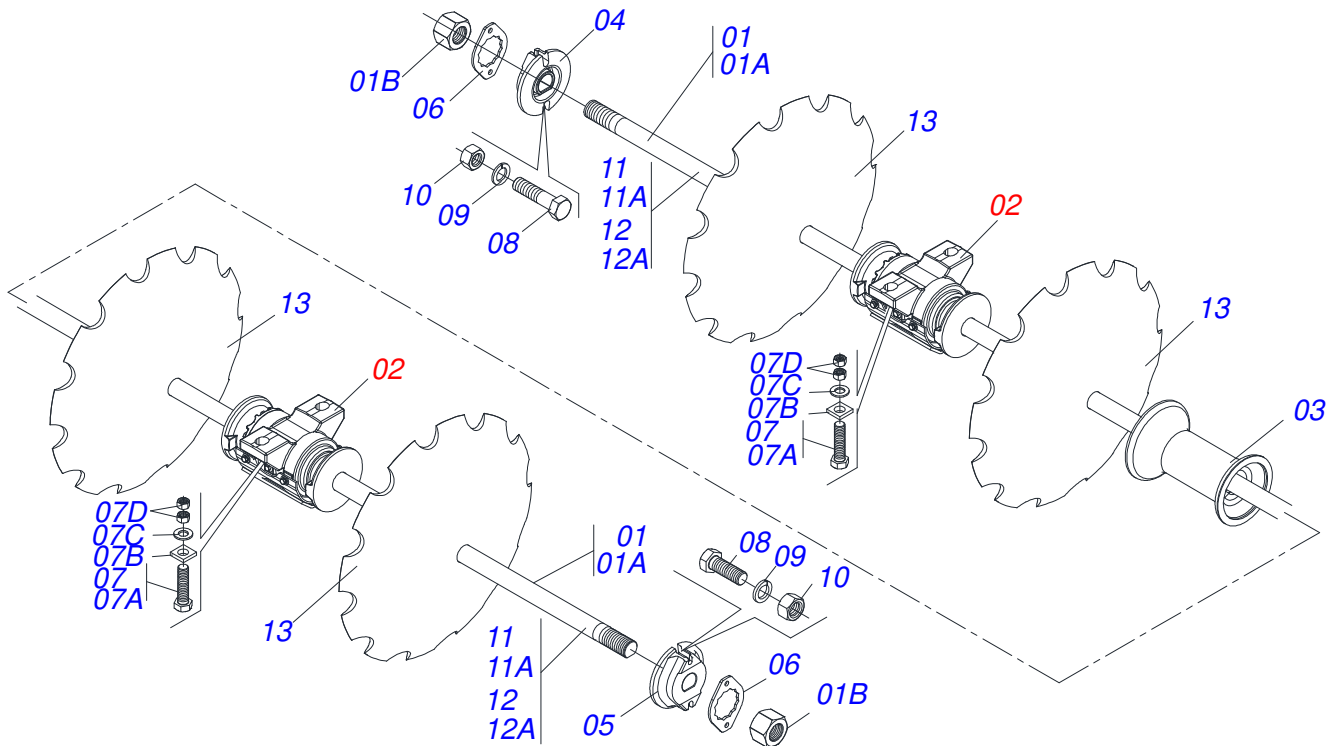
Item	Code	Description	See page	QT
01	0511042421	2-1/2" X 91.7" AXLE WITH NUTS		02 04 02 00
01A	0541011893	2-1/2" X 91.7" AXLE		02 04 02 00
01B	0502040064	2.1/2"SNC X 70 99 NUT		08 08 08 08
02	0511044898	2.1/2 X 1810 AXLE WITH NUTS		02 00 00 00
02A	0551010075	2.1/2 X 1810 AXLE		02 00 00 00
03	0602050016	38 X 12 NOTCHED DISC BLADE		18 00 00 26
04	0511042200	495MM X 2-1/2" RD. OIL BATH BEARING	17	08 08 08 10
05	0502012414	SPACER		06 08 10 12
06	0502010592	2-1/2" INNER AXLE WASHER		04 04 04 04
07	0502010593	2-1/2" EXTERNAL AXLE WASHER		04 04 04 04
08	0541010368	NUT LOCK		08 08 08 08
09	0501041301	1-1/4"X 5-3/4" ASSY BOLT		16 16 16 20
09A	0501010954	1-1/4" X 5-3/4" BOLT		16 16 16 20
09B	0501010953	1-1/4" SQUARE WASHER		16 16 16 20
09C	0531010713	FLAT WASHER		16 16 16 20
09D	0501010087	1.1/4" NUT		32 32 32 40
10	0503010232	5/8" X 1.3/4" BOLT		16 16 16 16
11	0503010027	5/8" SPRING WASHER		16 16 16 16
12	0503010013	5/8" NUT		16 16 16 16
13	0602050002	39 X 12 NOTCHED DISC BLADE		00 20 22 00
14	0511044953	2-1/2" X 2815 AXLE		00 00 02 02
14A	0551010438	2.1/2" X 2815 AXLE		00 00 02 02
15	0521040419	AXLE WITH NUTS		00 00 00 02
15A	0571010567	2-1/2" X 3320 AXLE		00 00 00 02



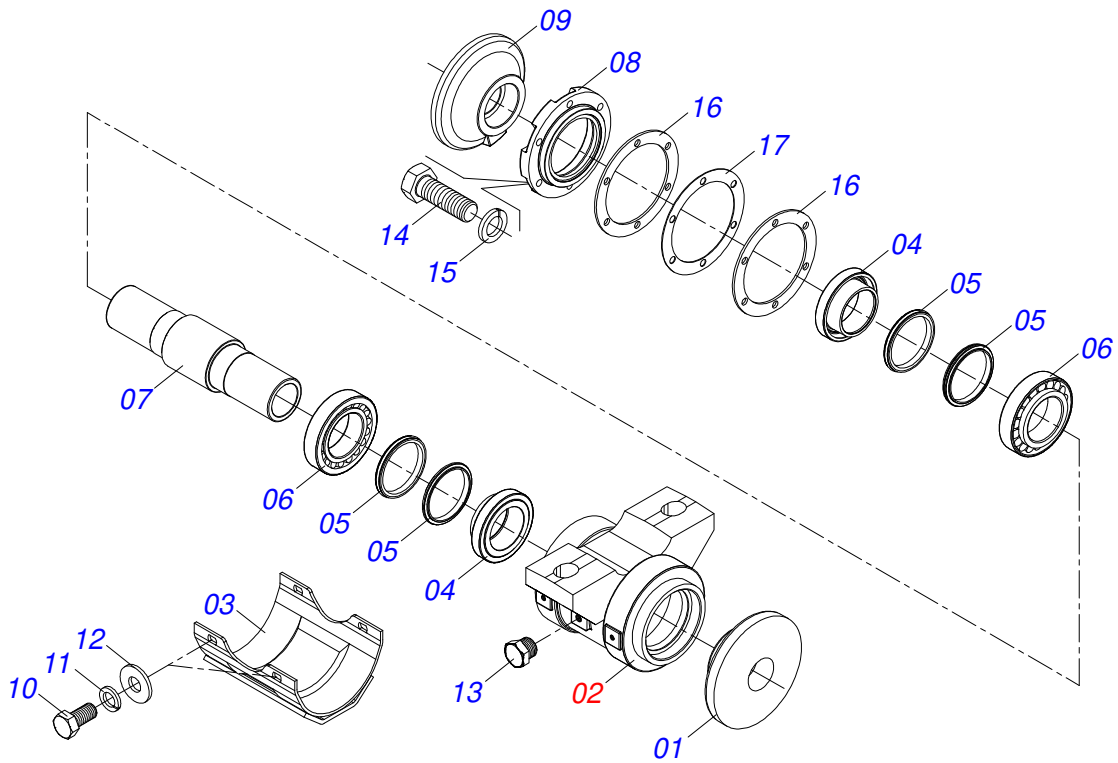
Item	Code	Description	See page	18	20	26
01	0511042421	2-1/2" X 91.7" AXLE WITH NUTS		02	04	00
01A	0541011893	2-1/2" X 91.7" AXLE		02	04	00
01B	0502040064	2.1/2"SNC X 70 99 NUT		08	08	08
02	0511044898	2.1/2 X 1810 AXLE WITH NUTS		02	00	00
02A	0551010075	2.1/2 X 1810 AXLE		02	00	00
03	0602048051	36" X 12MM NOTCHED DISC BLADE		18	20	00
04	0511042200	495MM X 2-1/2" RD. OIL BATH BEARING	17	08	08	10
05	0502012414	SPACER		06	08	12
06	0502010592	2-1/2" INNER AXLE WASHER		04	04	04
07	0502010593	2-1/2" EXTERNAL AXLE WASHER		04	04	04
08	0541010368	NUT LOCK		08	08	08
09	0501041301	1-1/4"X 5-3/4" ASSY BOLT		16	16	20
09A	0501010954	1-1/4" X 5-3/4" BOLT		16	16	20
09B	0501010953	1-1/4" SQUARE WASHER		16	16	20
09C	0531010713	FLAT WASHER		16	16	20
09D	0501010087	1.1/4" NUT		32	32	40
10	0503010232	5/8" X 1.3/4" BOLT		16	16	16
11	0503010027	5/8" SPRING WASHER		16	16	16
12	0503010013	5/8" NUT		16	16	16
13	0511044953	2-1/2" X 2815 AXLE		00	00	02
13A	0551010438	2.1/2" X 2815 AXLE		00	00	02
14	0521040419	AXLE WITH NUTS		00	00	02
14A	0571010567	2-1/2" X 3320 AXLE		00	00	02
15	0602048062	36 X 12MM NOTCHED DISC		00	00	26



Item	Code	Description	See page	QT
01	0502040064	2.1/2"SNC X 70 99 NUT		08
02	0511042200	495MM X 2-1/2" RD. OIL BATH BEARING	17	10
03	0502012414	SPACER		12
04	0502010592	2-1/2" INNER AXLE WASHER		04
05	0502010593	2-1/2" EXTERNAL AXLE WASHER		04
06	0541010368	NUT LOCK		08
07	0501041301	1-1/4"X 5-3/4" ASSY BOLT		20
07A	0501010954	1-1/4" X 5-3/4" BOLT		20
07B	0501010953	1-1/4" SQUARE WASHER		20
07C	0531010713	FLAT WASHER		20
07D	0501010087	1.1/4" NUT		40
08	0503010232	5/8" X 1.3/4" BOLT		16
09	0503010027	5/8" SPRING WASHER		16
10	0503010013	5/8" NUT		16
11	0511044953	2-1/2" X 2815 AXLE		02
11A	0551010438	2.1/2" X 2815 AXLE		02
12	0521040419	AXLE WITH NUTS		02
12A	0571010567	2-1/2" X 3320 AXLE		02
13	0602048062	36 X 12MM NOTCHED DISC		26



Item	Code	Description	See page	20	26
01	0511042421	2-1/2" X 91.7" AXLE WITH NUTS		04	00
01A	0541011893	2-1/2" X 91.7" AXLE		04	00
01B	0502040064	2.1/2"SNC X 70 99 NUT		08	08
02	0511042200	495MM X 2-1/2" RD. OIL BATH BEARING	17	08	10
03	0502012414	SPACER		08	12
04	0502010592	2-1/2" INNER AXLE WASHER		04	04
05	0502010593	2-1/2" EXTERNAL AXLE WASHER		04	04
06	0541010368	NUT LOCK		08	08
07	0501041301	1-1/4"X 5-3/4" ASSY BOLT		16	20
07A	0501010954	1-1/4" X 5-3/4" BOLT		16	20
07B	0501010953	1-1/4" SQUARE WASHER		16	20
07C	0531010713	FLAT WASHER		16	20
07D	0501010087	1.1/4" NUT		32	40
08	0503010232	5/8" X 1.3/4" BOLT		16	16
09	0503010027	5/8" SPRING WASHER		16	16
10	0503010013	5/8" NUT		16	16
11	0511044953	2-1/2" X 2815 AXLE		00	02
11A	0551010438	2.1/2" X 2815 AXLE		00	02
12	0521040419	AXLE WITH NUTS		00	02
12A	0571010567	2-1/2" X 3320 AXLE		00	02
13	0602052022	42" X 12MM NOTCHED DISK		20	26



Item	Code	Description	See page	QT
01	0502012846	BEARING INNER FLANGE		01
02	0502012415	HOUSING BEARING		01
03	0521062889	PROTECTION CAP		01
04	0502040119	SEAL RETAINER		02
05	0503030029	SEAL # LP JB-259		04
06	0503013243	32218 ROLLER BEARING		02
07	0502012226	425 BEARING AXLE		01
08	0502010644	HOUSING CAP DM		01
09	0502012847	BEARING OUTER FLANGE		01
10	0503010834	1/2 X 1 BOLT		04
11	0503010019	1/2" SPRING WASHER		04
12	0511017302	FLAT WASHER		04
13	0503010856	OIL PLUG		02
14	0501010063	1/2" X 1-1/2" BOLT		06
15	0503011440	SPRING WASHER		06
16	0503030537	8.3" X 6.3" X 0.01" JOINT		02
17	0503030687	8.3" X 6.3" X 0.004" JOINT		01







***CIVEMASA***

[www.civemasa.com.br](http://www.civemasa.com.br)



**Technical Publications | Elaboration and Revision**  
ALESSANDRA PATRICIA KAWAHARA CARRILI