

**SUBSOILER PLOUGH**

**STAC L 450 HP 25H DC RD SEM ESP-400**

**Code:** 0501091014  
**Series:** S-0414  
**Revision:** 00  
**Revision Date:** NOVEMBRO/2016

# PARTS CATALOGUE


***CIVEMASA***

# PRODUCTS

<b>Code</b>	<b>Description</b>
0120370238	STAC L 450 HP 25H DC RD SEM ESP-400

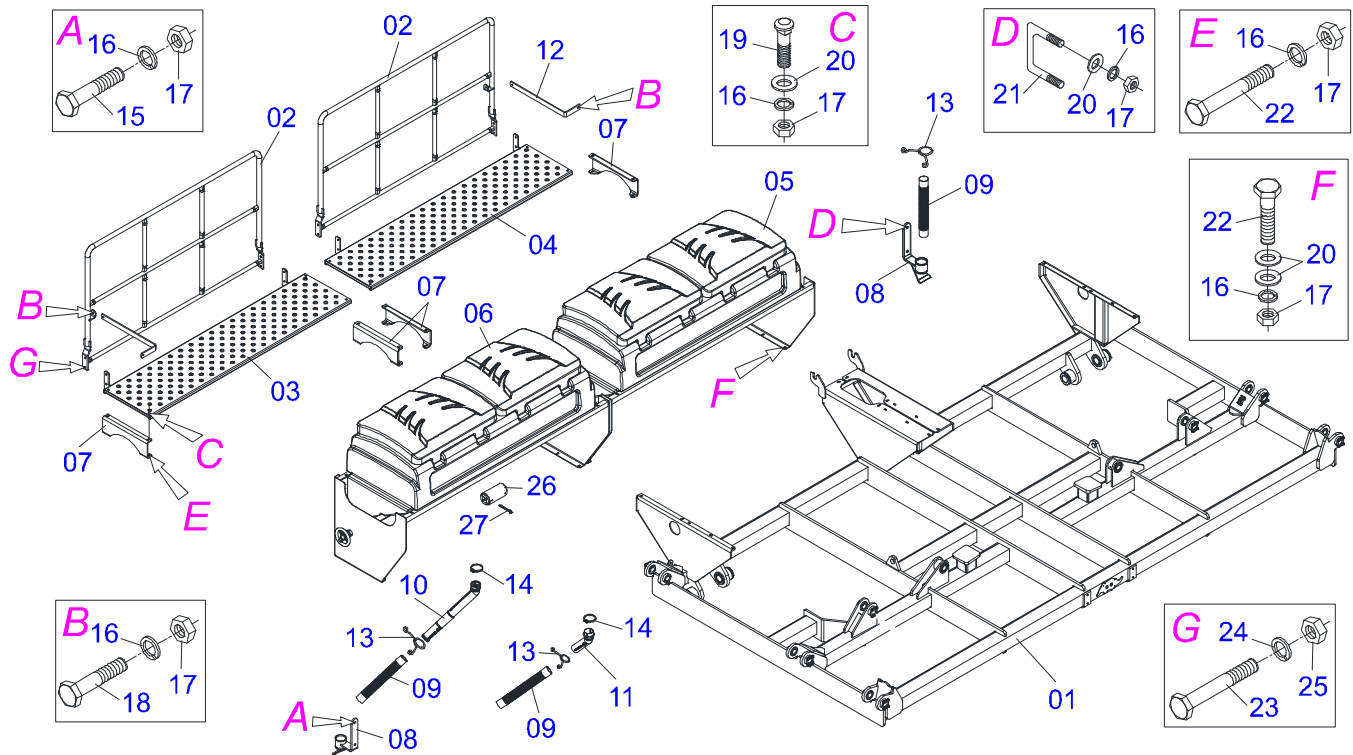
## **ATTENTION: IMPORTANT**

CIVEMASA reserves the right to improve and/or modify the technical features of its products, without obligation to do the same with those products already sold and without prior knowledge of the dealer or the consumer. The photos are only illustrative.

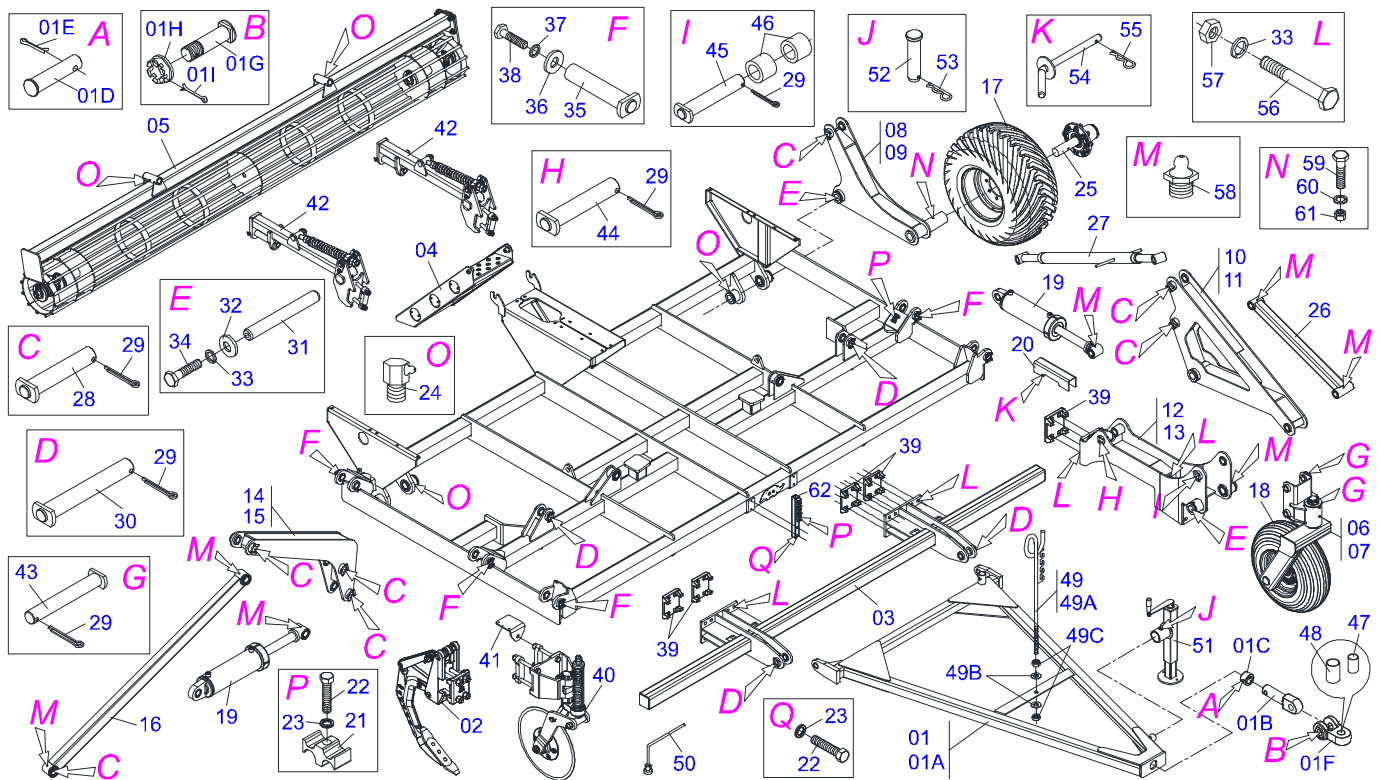


# INDEX

0521043588	CENTRAL FRAME	.....	1
0909091829	FRAME CENTRAL PARTS	.....	2
0909091830	RIGHT SIDE FRAME	.....	3
0909091831	LEFT SIDE FRAME	.....	4
0511047076	SHANKS SYSTEM ASSY	.....	5
0521040834	BREAK ROLLER	.....	6
0521040835	BREAK ROLLER	.....	7
0511049943	HYDRAULIC CYLINDER 53,98 X 127 X 640 X 300	.....	8
0521041022	HYDRAULIC CYLINDER	.....	9
0511051867	ARM RIGHT FRONT WHEELS	.....	10
0511051868	ARM LEFT FRONT WHEELS	.....	11
0501051885	CARRYING-WHEELS	.....	12
0511051861	COPYCAT THE COMPLETE WHEELSET	.....	13
0909094602	COULTER BLADES WITH SUPPORT	.....	14
0511051871	ARM BREAK ROLLER	.....	15
0511048088	DRAWBAR JACK	.....	16
0909094604	WHEELS FULL RIGHT LEFT ASSY	.....	17
0501042180	BEARING DUROMARK OL 192,5 X 1.1/4 IT	.....	18
0511052687	LH REAR FINE SEED BOX ASSY	.....	19
0511052688	RIGHT REAR FINE SEED BOX ASSY	.....	20
0511055653	FINE SEED BOX	.....	21
0909094603	HYDRAULIC CIRCUIT	.....	22
0909091832	HYDRAULIC CIRCUIT WITH SEED BOX	.....	23



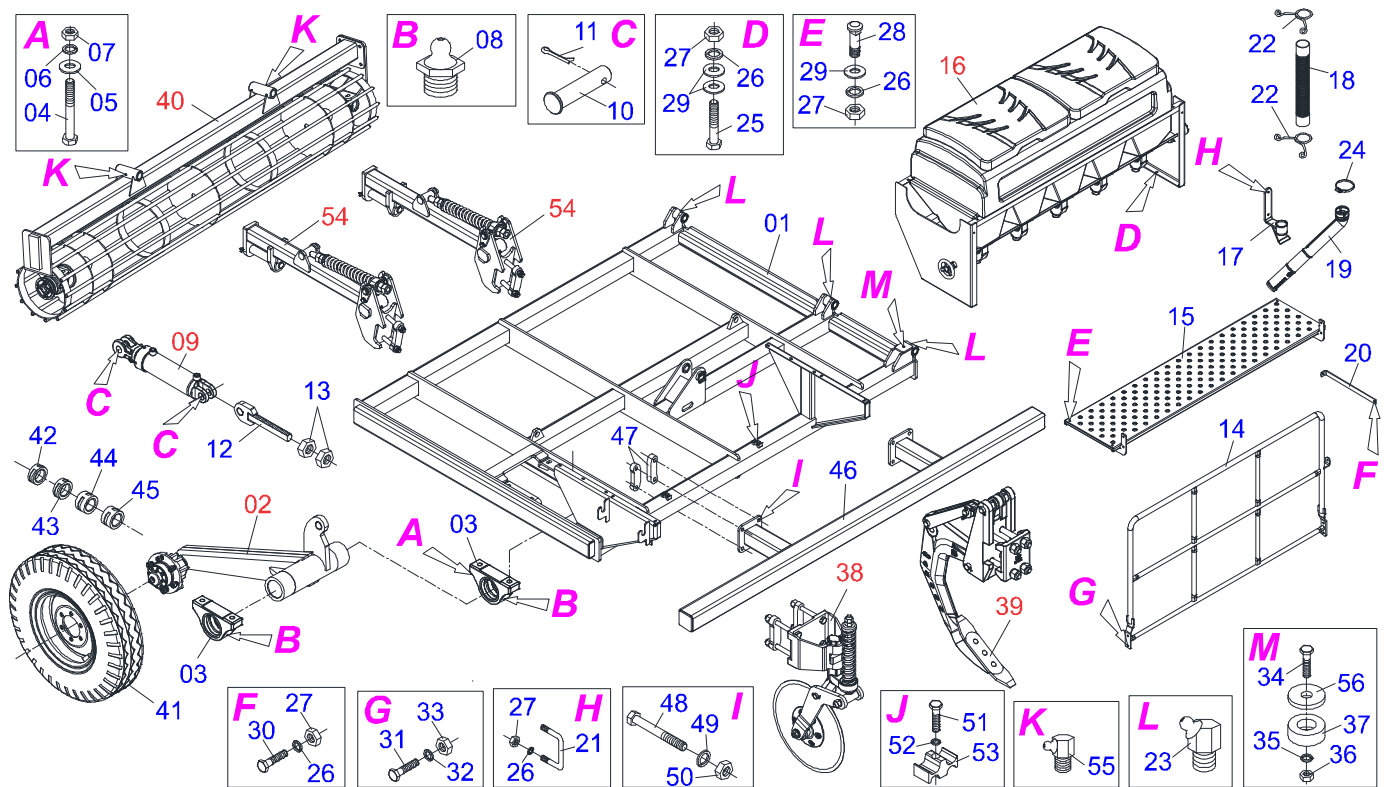
Item	Code	Description	See page	QT
01	0521064615	CENTRAL FRAME		01
02	0521063641	HANDRAIL		02
03	0521063652	REAR PLATAFORM		01
04	0521063651	REAR PLATAFORM		01
05	0511052687	LH REAR FINE SEED BOX ASSY	19	01
06	0511052688	RIGHT REAR FINE SEED BOX ASSY	20	01
07	0571015439	PLATFORM SUPPORT		04
08	0521063650	HOSE SOPPORT ASSY		10
09	0503030408	2X2X390 HOSE		10
10	0503031826	CURVED CONDUCTOR		02
11	0503031050	CURVED CONDUCTOR		02
12	0571012761	REAR HANDRAIL LOCK		02
13	0503031076	2" HOSE CLAMP		10
14	0503010246	CLAMP		04
15	0503010751	C3/8" X 1.1/4" HEX BOLT G.5		04
16	0503010025	3/8" SPRING WASHER		52
17	0503010026	3/8" NUT		52
18	0503010237	3/8" X 1" BOLT		04
19	0501018526	3/8" X 2" BOLT		08
20	0501010984	FLAT WASHER		48
21	0521010664	3/8 FASTENER		08
22	0503010849	3/8" X 1-1/2" BOLT		20
23	0503010920	1/2" X 1.1/2" BOLT		08
24	0503010019	1/2" SPRING WASHER		08
25	0503010060	1/2" NUT		08
26	0521062011	PULLER SLEEVE		01
27	0503010274	5/32"X 2" COTTERPIN		02



Item	Code	Description	See page	QT
01	0521040833	DRAWBAR ASSEMBLE		01
01A	0521063133	DRAWBAR		01
01B	1902040264	HITCH PIN		01
01C	0502040263	ANEL TRAVA ENGATE		01
01D	0561017306	COUPLING SHAFT		01
01E	0503010523	1/4" X 2" COTTERPIN		01
01F	0502040849	U COUPLING		01
01G	0511067199	2" BOLT		01
01H	0502040558	2" CASTLE NUT		01
01I	0503010010	1/4" X 2.1/2" COTTERPIN		01
02	0511047076	SHANKS SYSTEM ASSY	5	11
03	0521063132	SUPPORT CENTER BLADE DISC		01
04	0521063654	LADDER		01
05	0521040834	BREAK ROLLER	6	01
06	0511051867	ARM RIGHT FRONT WHEELS	10	01
07	0511051868	ARM LEFT FRONT WHEELS	11	01
08	0521063128	RIGHT CARRYING-WHEELS		01
09	0521063125	LEFT CARRYING WHEELS		01
10	0521063118	COPIER LOWER RIGHT ARM		01
11	0521063119	COPIER LOWER LEFT ARM		01
12	0521063120	LEFT CARRYING-WHEEL FIXER SUPPORT		01
13	0521063121	RIGTH CARRYING-WHEEL FIXER SUPPORT		01
14	0521063412	TOWER OF JOINT RIGHT		01
15	0521063413	TOWER OF JOINT LEFT		01
16	0521063414	JOINT ARM		02
17	0503060102	WHEEL AND TIRE		02
18	0503060414	WHEEL AND TIRE		02
19	0511049943	HYDRAULIC CYLINDER 53,98 X 127 X 640 X 300	8	04
20	0571012135	TRANSPORT LOCK		04
21	0502012702	BODY SUPPORT CLAMP		07
22	0503012555	SCREW 7/16 UNC X 2 CS RT G.7 ZN		11

**FRAME CENTRAL PARTS**

<b>Item</b>	<b>Code</b>	<b>Description</b>	<b>See page</b>	<b>QT</b>
23	0503010180	7/16" SPRING WASHER		11
24	0503010004	1890 GREASE FITTING		06
25	0501051885	CARRYING-WHEELS	12	02
26	0521063122	COPIER UPPER ARM		02
27	0511051861	COPYCAT THE COMPLETE WHEELSET	13	02
28	0521062684	PIVOT SHAFT		14
29	0503010534	3/8 X 2-1/2 COTTERPIN		26
30	0521062813	PIVOT SHAFT		04
31	0531018062	COUPLING SHAFT		04
32	0521011565	FLAT WASHER		08
33	0503010012	1" SPRING WASHER		40
34	0503011250	1" X 2" BOLT		08
35	0521063149	3/4" X 208 AXLE		06
36	0511017232	FLAT WASHER		06
37	0503010023	3/4" SPRING WASHER		06
38	0501011544	3/4" X 1-1/2" BOLT		06
39	0502011552	FRONT FIXER		08
40	0501056926	SUPPORT WITH BLADE DISC		11
41	0571013172	VALVE SUPPORT		01
42	0511051871	ARM BREAK ROLLER	15	02
43	0521063144	PIVOT SHAFT		04
44	0521062158	PIVOT SHAFT		02
45	0521063145	PIVOT SHAFT		02
46	0571011373	SLEEVE		04
47	0571013174	SLEEVE		01
48	0571013175	SLEEVE		01
49	0501040257	3/4 X 1200 HOSE HOLDER A		01
49A	0511067334	HOSE SOPPORT ASSY		01
49B	0501010322	FLAT WASHER		02
49C	0503010014	3/4" NUT		02
50	0501061617	1" GANG BOLT WRENCH		01
51	0511048088	DRAWBAR JACK	16	01
52	0561014251	COUPLING SHAFT		01
53	0503030012	HITCH PIN CLIP		01
54	0501068994	8,30 X 78 LOCK PIN		04
55	0503030168	HITCH PIN CLIP		04
56	0511019527	1" X 8" BOLT		32
57	0503010340	1" NUT		32
58	0503010002	1800 GREASE FITTING		16
59	0503010706	BOLT 1/2 UNC X 4.1/2 C S G.5 ZN		02
60	0503010019	1/2" SPRING WASHER		02
61	0503010060	1/2" NUT		02
62	0521064638	HOSE FIXER		02

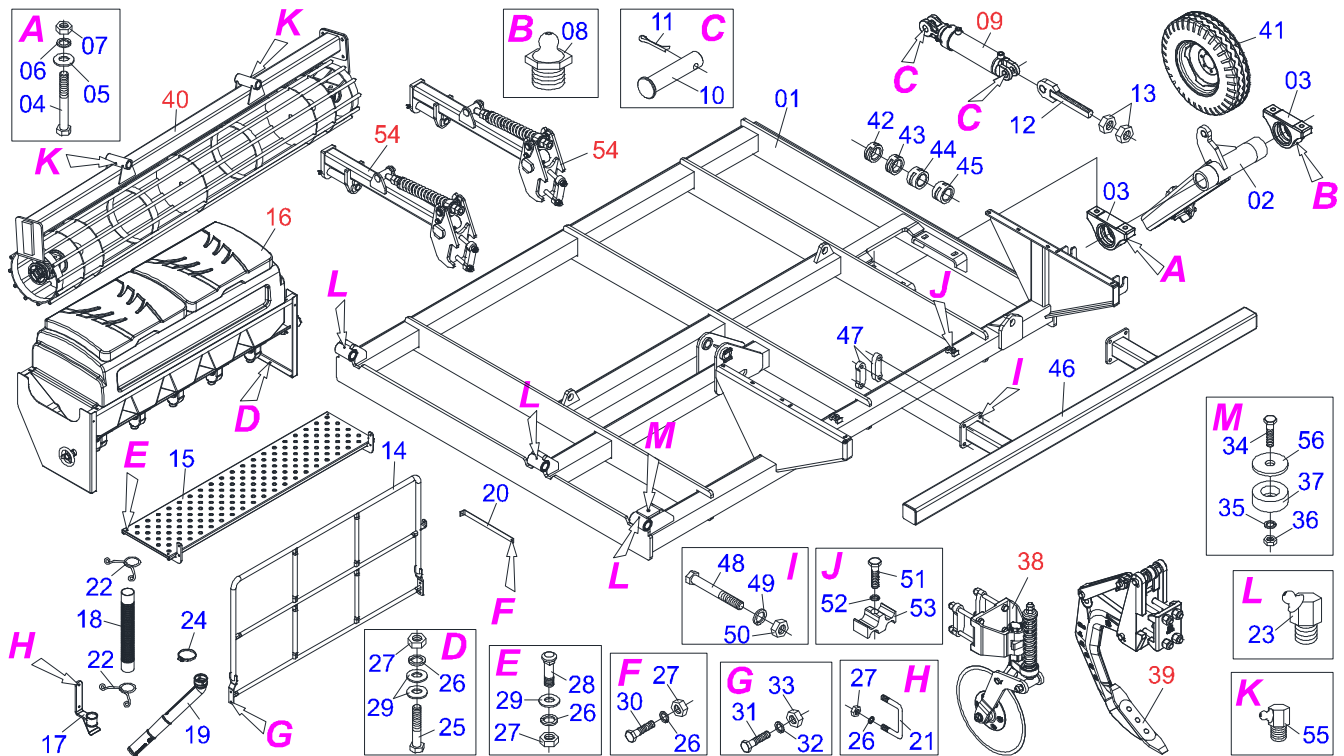


Item	Code	Description	See page	QT
01	0521064622	RIGHT REAR SIDE FRAME		01
02	0501051007	RIGHT CARRYING-WHEELS		01
03	0501110563	LEFT PIVOT BEARING WITH SLEEVE		02
04	0501010195	3/4" X 3-1/2" BOLT		04
05	0501010322	FLAT WASHER		04
06	0503010023	3/4" SPRING WASHER		04
07	0503010014	3/4" NUT		04
08	0503010002	1800 GREASE FITTING		02
09	0521041022	HYDRAULIC CYLINDER	9	01
10	0521012538	1.2" X 3.5" COUPLING SHAFT		02
11	0503010523	1/4" X 2" COTTERPIN		02
12	0501063989	HYDRAULIC CYLINDER REGULATOR		01
13	0501010110	1.1/2" NUT		02
14	0521063642	HANDRAIL		01
15	0521063653	FRONT PLATAFORM		01
16	0511055653	FINE SEED BOX	21	01
17	0521063650	HOSE SOPPORT ASSY		05
18	0503030408	2X2X390 HOSE		05
19	0503031826	CURVED CONDUCTOR		01
20	0571012752	FRONT HANDRAIL LOCK		01
21	0521010664	3/8 FASTENER		05
22	0503031076	2" HOSE CLAMP		05
23	0503010003	1845 GREASE FITTING		03
24	0503010246	CLAMP		01
25	0503010849	3/8" X 1-1/2" BOLT		06
26	0503010025	3/8" SPRING WASHER		22
27	0503010026	3/8" NUT		22
28	0501018526	3/8" X 2" BOLT		04
29	0501010984	FLAT WASHER		16
30	0503010237	3/8" X 1" BOLT		02
31	0503010920	1/2" X 1.1/2" BOLT		04

**RIGHT SIDE FRAME**

<b>Item</b>	<b>Code</b>	<b>Description</b>	<b>See page</b>	<b>QT</b>
32	0503010019	1/2" SPRING WASHER		04
33	0503010060	1/2" NUT		04
34	0501010100	SCREW 5/8 UNC X 2 CS G.5 ZN		01
35	0503010027	5/8" SPRING WASHER		01
36	0503010013	5/8" NUT		01
37	0521011481	FRAME BATTERY		01
38	0501056926	SUPPORT WITH BLADE DISC		07
39	0511047076	SHANKS SYSTEM ASSY	5	07
40	0521040835	BREAK ROLLER	7	01
41	0503062010	750 X 16-12L ASSY WHEEL AND TIRE		01
42	0501047895	ROD STOP		04
43	0501047885	ROD STOP		02
44	0501047886	ROD STOP		02
45	0501047887	ROD STOP		02
46	0521063131	DISC BLADE SIDE SUPPORT		02
47	0571011609	FIXER PLATE CUTTING DISC		04
48	0503014744	3/4 UNF X 7.1/2 C S G.7 ZN BOLT		08
49	0503010023	3/4" SPRING WASHER		08
50	0503010335	3/4"NUT		08
51	0503012555	SCREW 7/16 UNC X 2 CS RT G.7 ZN		02
52	0503010180	7/16" SPRING WASHER		02
53	0502012702	BODY SUPPORT CLAMP		04
54	0511051871	ARM BREAK ROLLER	15	02
55	0503010004	1890 GREASE FITTING		02
56	0571010265	16.5 X 40 X 3 FLAT WASHER		01



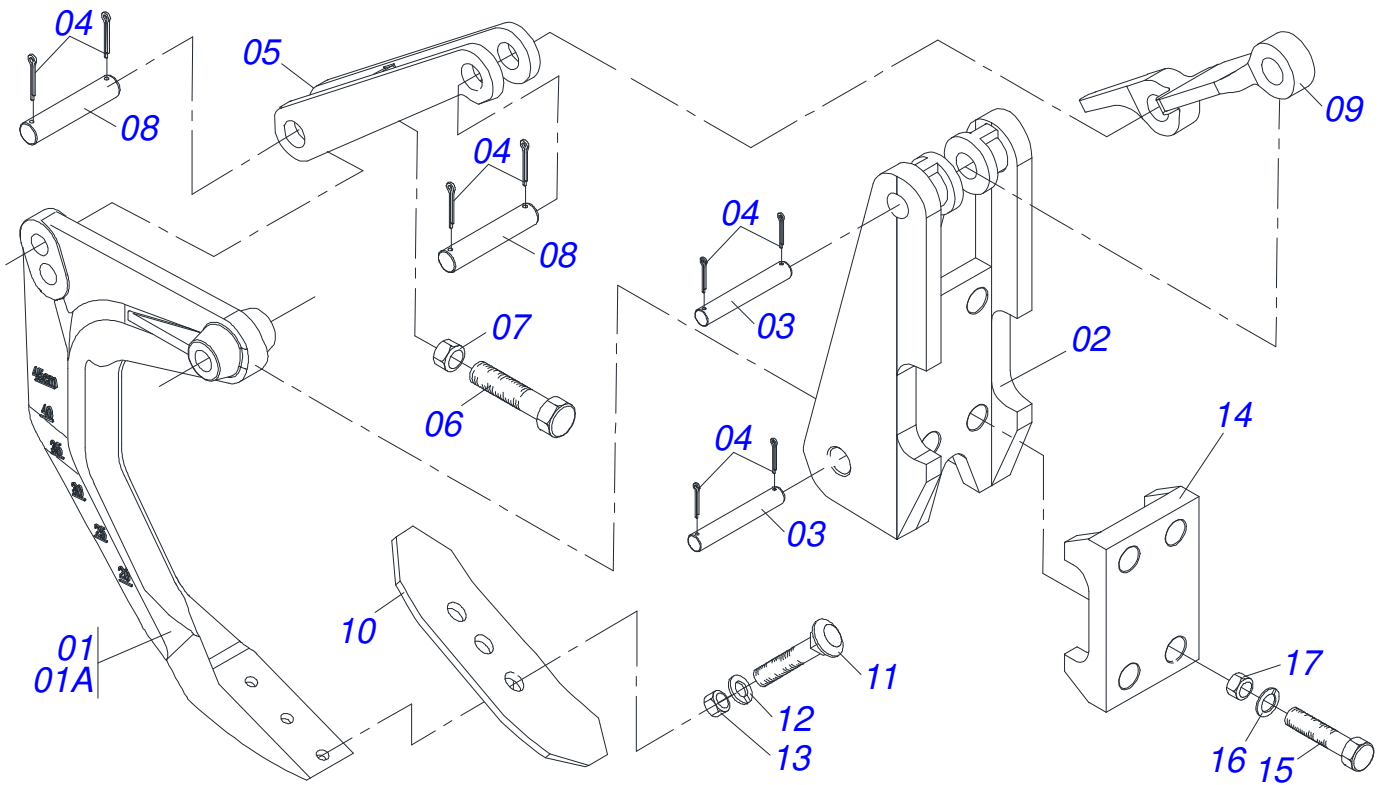


Item	Code	Description	See page	QT
01	0521064645	LEFT REAR SIDE FRAME		01
02	0501051008	LEFT CARRYING-WHEELS		01
03	0501110563	LEFT PIVOT BEARING WITH SLEEVE		02
04	0501010195	3/4" X 3-1/2" BOLT		04
05	0501010322	FLAT WASHER		04
06	0503010023	3/4" SPRING WASHER		04
07	0503010014	3/4" NUT		04
08	0503010002	1800 GREASE FITTING		02
09	0521041022	HYDRAULIC CYLINDER	9	01
10	0521012538	1.2" X 3.5" COUPLING SHAFT		02
11	0503010523	1/4" X 2" COTTERPIN		02
12	0501063989	HYDRAULIC CYLINDER REGULATOR		01
13	0501010110	1.1/2" NUT		02
14	0521063642	HANDRAIL		01
15	0521063653	FRONT PLATAFORM		01
16	0511055653	FINE SEED BOX	21	01
17	0521063650	HOSE SOPPORT ASSY		05
18	0503030408	2X2X390 HOSE		05
19	0503031826	CURVED CONDUCTOR		01
20	0571012752	FRONT HANDRAIL LOCK		01
21	0521010664	3/8 FASTENER		05
22	0503031076	2" HOSE CLAMP		05
23	0503010003	1845 GREASE FITTING		03
24	0503010246	CLAMP		01
25	0503010849	3/8" X 1-1/2" BOLT		06
26	0503010025	3/8" SPRING WASHER		22
27	0503010026	3/8" NUT		22
28	0501018526	3/8" X 2" BOLT		04
29	0501010984	FLAT WASHER		16
30	0503010237	3/8" X 1" BOLT		02
31	0503010920	1/2" X 1.1/2" BOLT		04

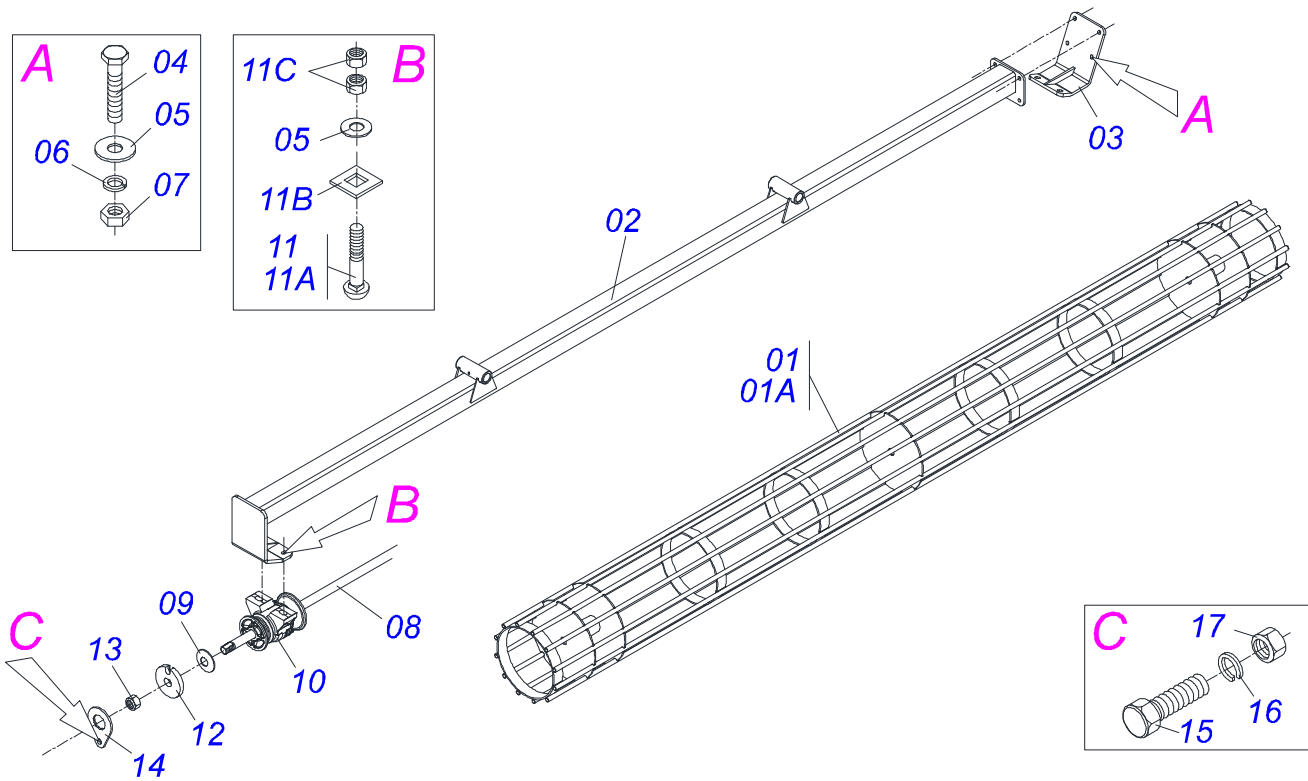
**LEFT SIDE FRAME**

0909091831

<b>Item</b>	<b>Code</b>	<b>Description</b>	<b>See page</b>	<b>QT</b>
32	0503010019	1/2" SPRING WASHER		04
33	0503010060	1/2" NUT		04
34	0501010100	SCREW 5/8 UNC X 2 CS G.5 ZN		01
35	0503010027	5/8" SPRING WASHER		01
36	0503010013	5/8" NUT		01
37	0521011481	FRAME BATTERY		01
38	0501056926	SUPPORT WITH BLADE DISC		07
39	0511047076	SHANKS SYSTEM ASSY	5	07
40	0521040835	BREAK ROLLER	7	01
41	0503062010	750 X 16-12L ASSY WHEEL AND TIRE		01
42	0501047895	ROD STOP		04
43	0501047885	ROD STOP		02
44	0501047886	ROD STOP		02
45	0501047887	ROD STOP		02
46	0521063131	DISC BLADE SIDE SUPPORT		02
47	0571011609	FIXER PLATE CUTTING DISC		04
48	0503014744	3/4 UNF X 7.1/2 C S G.7 ZN BOLT		08
49	0503010023	3/4" SPRING WASHER		08
50	0503010335	3/4"NUT		08
51	0503012555	SCREW 7/16 UNC X 2 CS RT G.7 ZN		02
52	0503010180	7/16" SPRING WASHER		02
53	0502012702	BODY SUPPORT CLAMP		04
54	0511051871	ARM BREAK ROLLER	15	02
55	0503010004	1890 GREASE FITTING		02
56	0571010265	16.5 X 40 X 3 FLAT WASHER		01

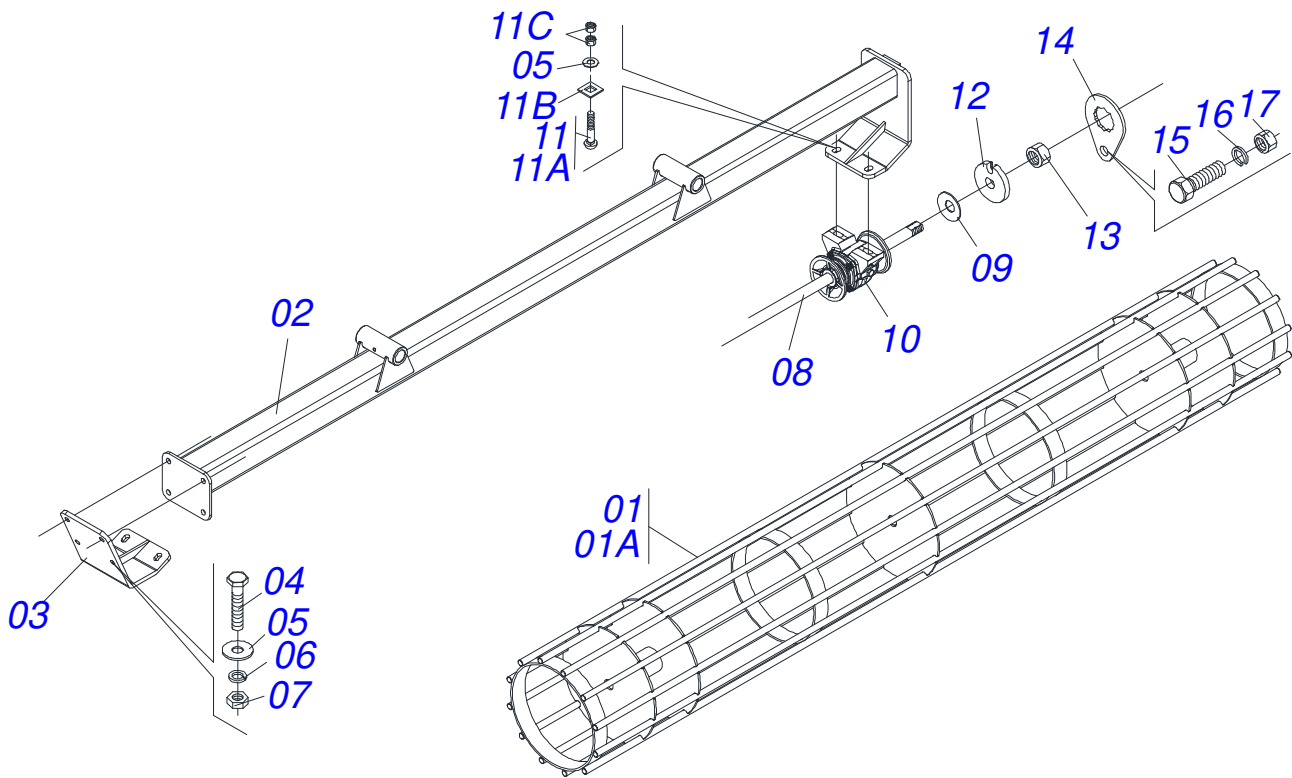


Item	Code	Description	See page	QT
01	0511047076	SHANKS SYSTEM ASSY	5	01
01A	0502011264	ARM AST/MATIC		01
02	0502011551	REAR FIXER		01
03	0521013024	28,50 X 184 AXLE		02
04	0503010571	1/4" X 1.1/2 COTTERPIN		08
05	0502011164	SUPPORT SPRING		01
06	0503011195	7/16" X 1.3/4" BOLT		01
07	0503010244	7/16" NUT		01
08	0511015689	1.1" X 3.5" COUPLING SHAFT		02
09	0521011631	AUTOMATIC RESET		01
10	0624010005	POINT SUBSOILER 16"X3"X1/2" E019		01
11	0503014190	1/2 BSW "1.1/2 BOLT		03
12	0503011440	SPRING WASHER		03
13	0503010020	1/2"NUT		03
14	0502011552	FRONT FIXER		01
15	0511019527	1" X 8" BOLT		04
16	0503011438	SPRING WASHER		04
17	0503010340	1" NUT		04

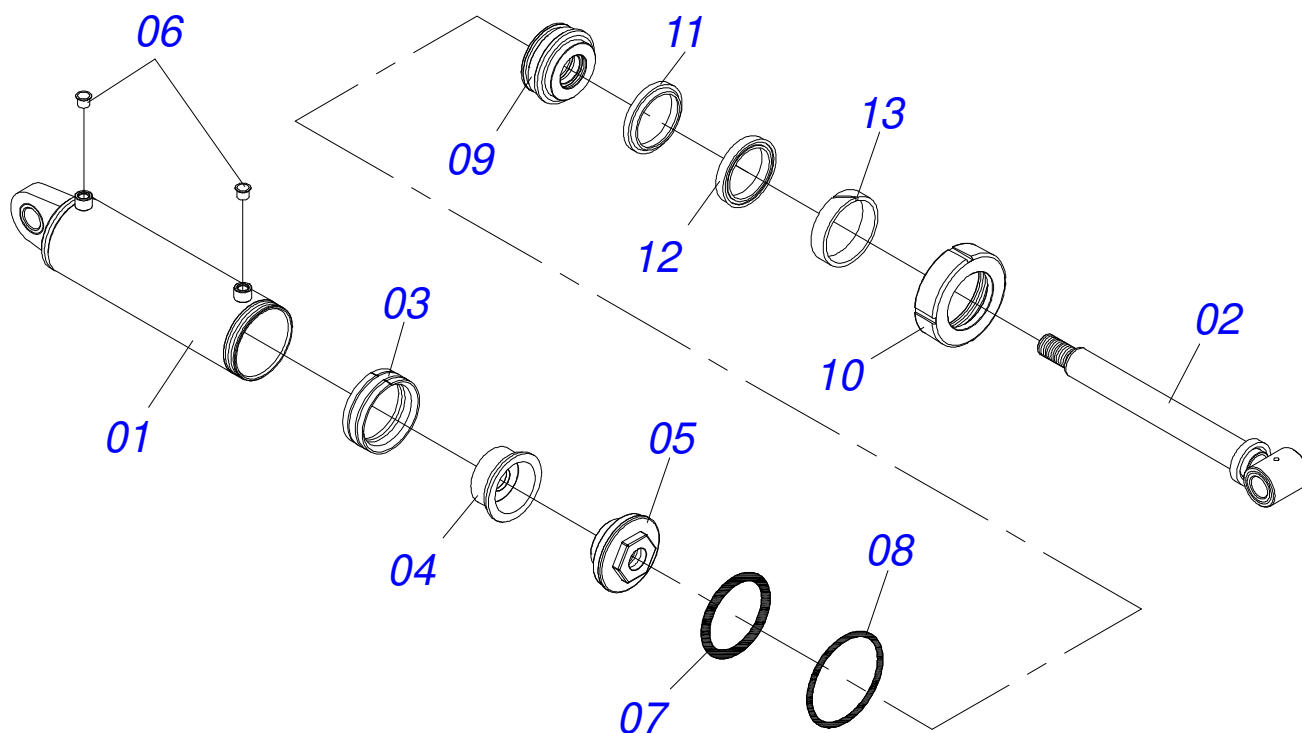


Item	Code	Description	See page	QT
01	0521040834	BREAK ROLLER	6	01
01A	0521063140	BREAK ROLLER		01
02	0521063141	SUPPORT ARM ROLLER CENTER		01
03	0521062673	BRACKET MOBILE FIXER ROLLER		01
04	0501010100	SCREW 5/8 UNC X 2 CS G.5 ZN		04
05	0501012140	FLAT WASHER		08
06	0503011445	SPRING WASHER		04
07	0503010013	5/8" NUT		04
08	0501010752	1.1/4" X 500 AXLE		02
09	0531018575	WASHER CONCAVE		02
10	0501042180	BEARING DUROMARK OL 192,5 X 1.1/4 IT	18	02
11	0501048788	IMPLEMENT PARTS ASSY 5/8 UNC X 2.1/2 CA		04
11A	0501014177	5/8" X 2-1/2" BOLT		04
11B	0501010947	5/8 NUT LOCK		04
11C	0503010013	5/8" NUT		08
12	0502010835	1-1/4" EXTERNAL AXLE WASHER		04
13	0501010087	1.1/4" NUT		04
14	0501010455	1.1/4" NUT LOCK		04
15	0501010161	1/2" X 1.1/4" BOLT		04
16	0503011440	SPRING WASHER		04
17	0503010060	1/2" NUT		04

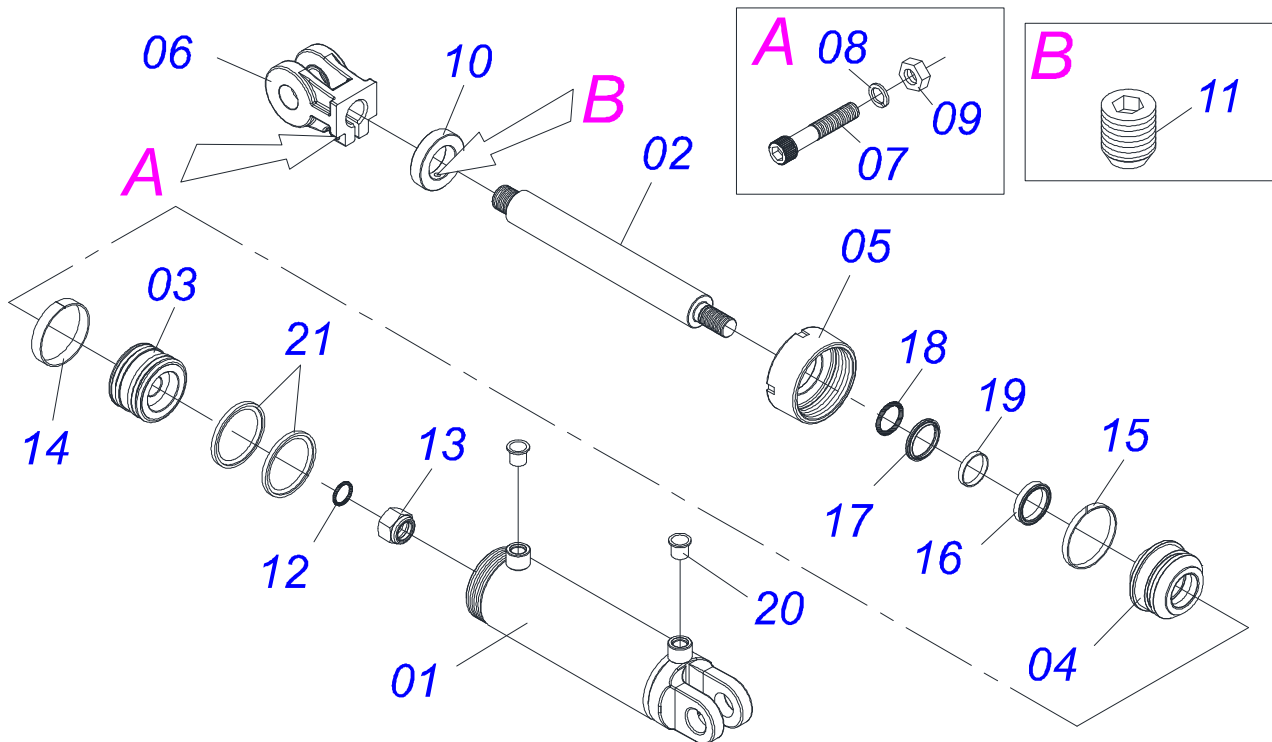
**BREAK ROLLER**



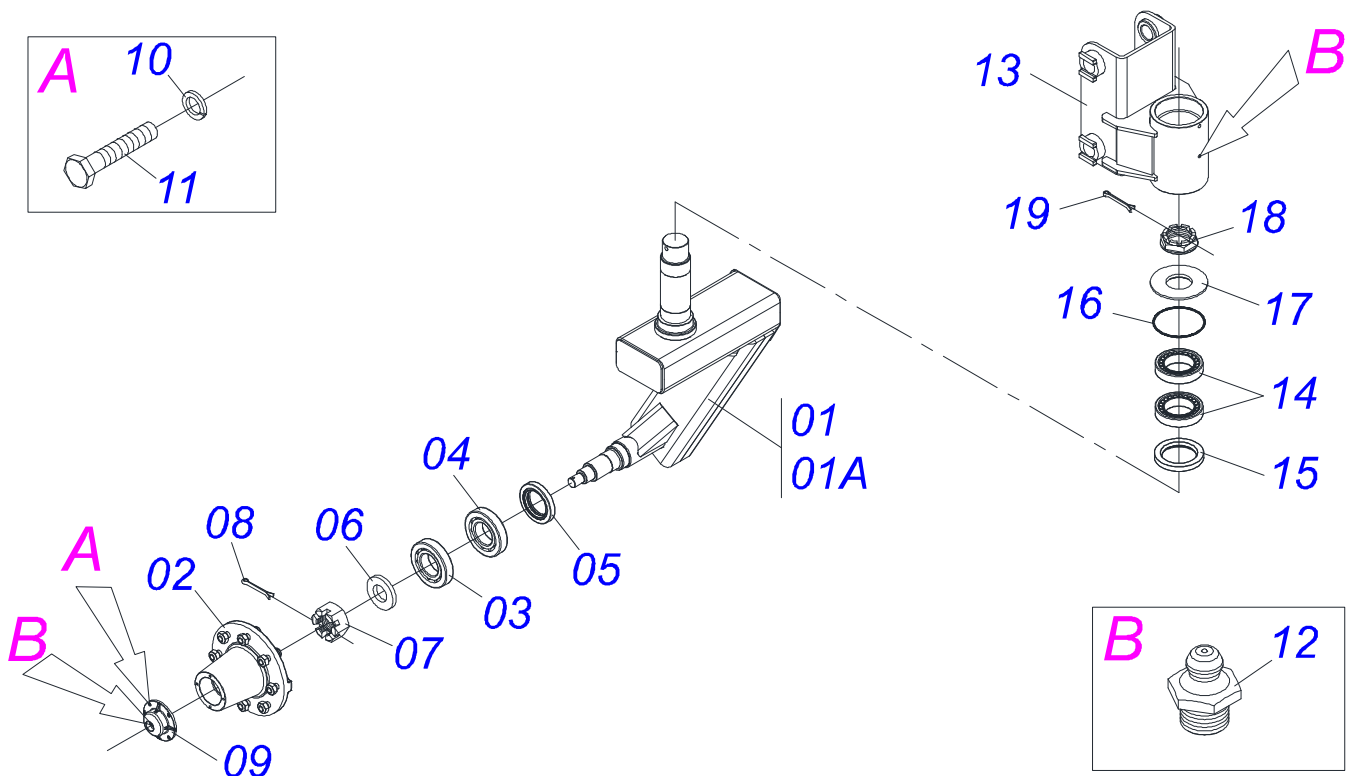
Item	Code	Description	See page	QT
01	0521040835	BREAK ROLLER	7	01
01A	0521063137	BREAK ROLLER		01
02	0521063138	SUPPORT ARM ROLLER CENTER		01
03	0521062673	BRACKET MOBILE FIXER ROLLER		01
04	0501010100	SCREW 5/8 UNC X 2 CS G.5 ZN		04
05	0501012140	FLAT WASHER		08
06	0503011445	SPRING WASHER		04
07	0503010013	5/8" NUT		04
08	0501010752	1.1/4" X 500 AXLE		02
09	0531018575	WASHER CONCAVE		02
10	0501042180	BEARING DUROMARK OL 192,5 X 1.1/4 IT	18	02
11	0501048788	IMPLEMENT PARTS ASSY 5/8 UNC X 2.1/2 CA		04
11A	0501014177	5/8" X 2-1/2" BOLT		04
11B	0501010947	5/8 NUT LOCK		04
11C	0503010013	5/8" NUT		08
11D	0503011445	SPRING WASHER		04
12	0502010835	1-1/4" EXTERNAL AXLE WASHER		04
13	0501010087	1.1/4" NUT		04
14	0501010455	1.1/4" NUT LOCK		04
15	0501010161	1/2" X 1.1/4" BOLT		04
16	0503011440	SPRING WASHER		04
17	0503010060	1/2" NUT		04



Item	Code	Description	See page	QT
01	0521062687	CASE		01
02	0521062686	53,98 X 555 TURNBUCKLE		01
03	0503015643	SEAL		01
04	0561016583	PISTON BODY		01
05	0502012645	PISTON BODY		01
06	0503030384	CON PLUG N-001		02
07	0503010351	2-425 N 3006-9B O'RING		01
08	0503011062	8-425 BACK-UP RING		01
09	0502012646	RING SUPPORT		01
10	0502010382	5" END CAP		01
11	0503015642	U-CUP SEALING		01
12	0503015715	SCRAPER SEALING		01
13	0503015641	WEAR RING		01
14	0501038075	FULL REPAIR SET CIL 53.98 X 127		01

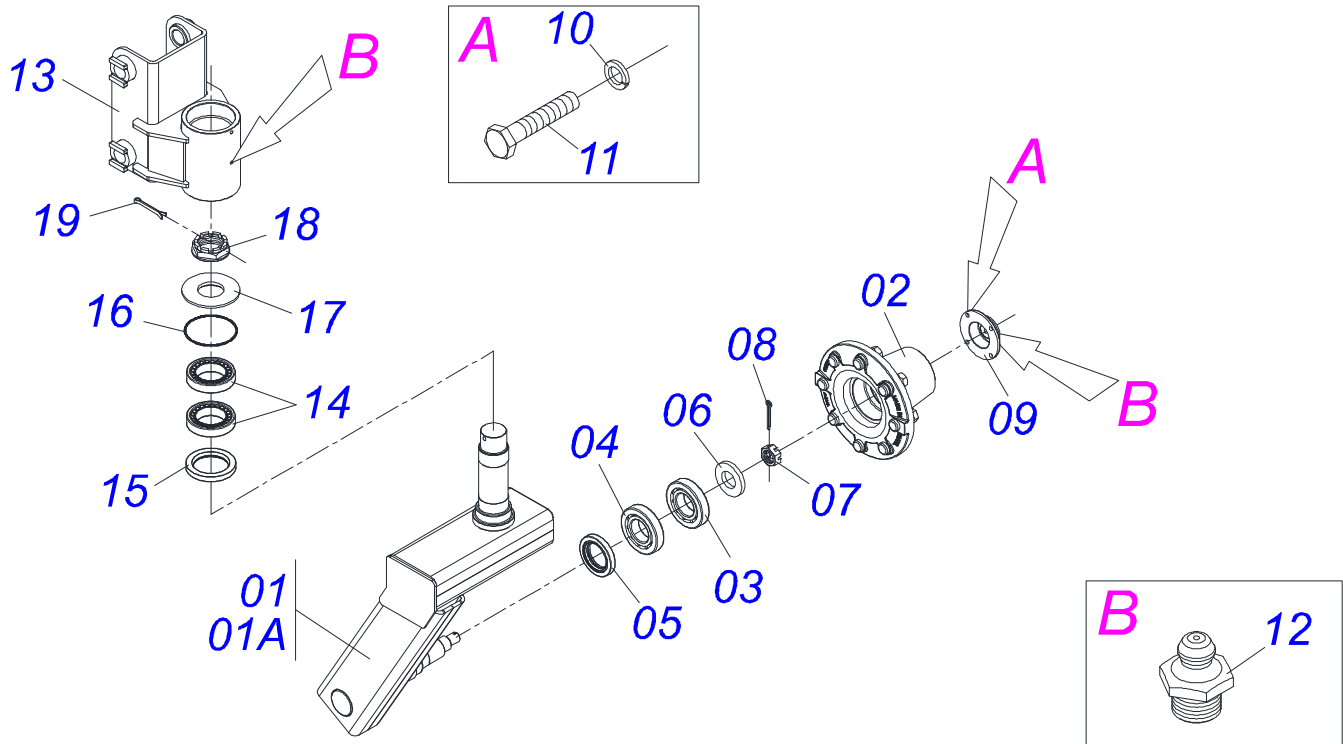


Item	Code	Description	See page	QT
001	0521063411	CYLINDER CASE		01
002	0502011847	1.7" X 3.4" PISTON		01
003	0502010781	RING SUPPORT		01
004	0502010993	DETACHABLE COVER		01
005	0502040747	32.54 CLEVIS CLAMP		01
006	0503011094	3/8" X 2" BOLT		01
007	0503011443	3/8" SPRING WASHER		01
008	0503010026	3/8" NUT		01
009	0511018115	1.8" X 0.1" 0.7" BUSHING		01
010	0503011148	3/8" X 1/2" BOLT		01
011	0503010042	2-214 N 3006-9B O'RING		01
012	0503010063	1" SELF-ALIGNING NUT		01
013	0503010948	W4-3346-590 PK RING G.E		01
014	0503010949	W2-2000-500 PK RING G.E		01
015	0503010990	GASKET		01
016	0503010761	D-1750 SCRAPER RING		01
017	0503010976	2-336 N 3006-9B O'RING		01
018	0503011060	8-336 BACK-UP RING		01
019	0503030384	CON PLUG N-001		02
020	0503012509	GASKET		02

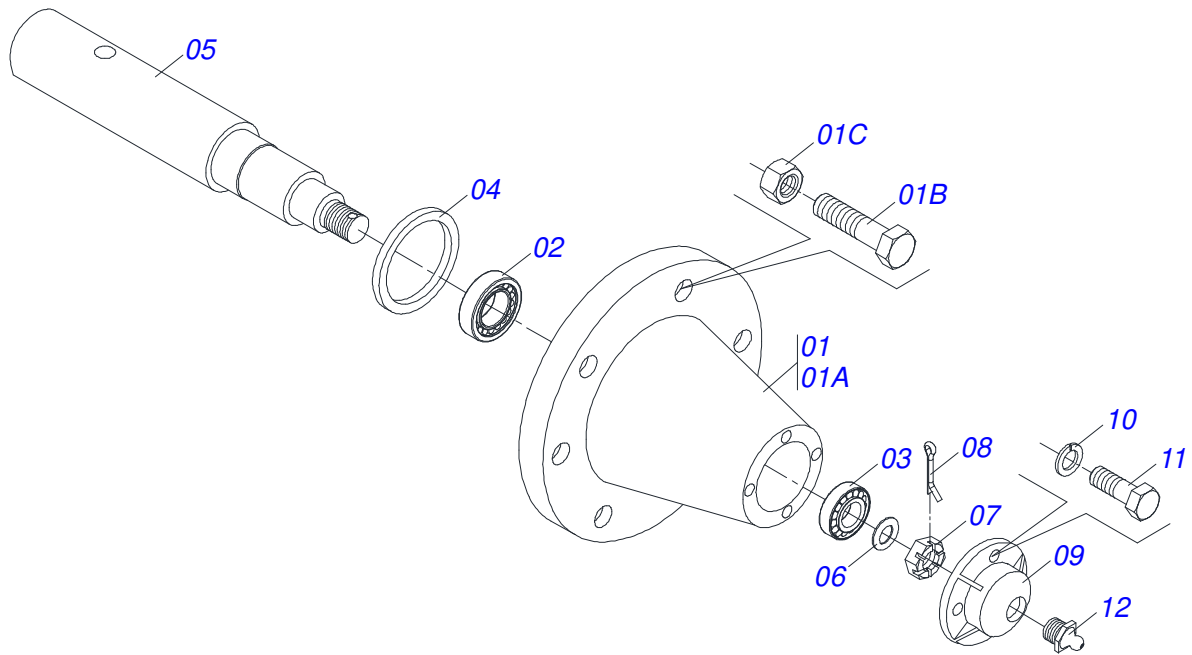


Item	Code	Description	See page	QT
01	0511051867	ARM RIGHT FRONT WHEELS	10	01
01A	0521063147	WHEEL ARM RIGTH		01
02	0501110738	CARRYING WHEEL HUB		01
03	0503010008	3780/3720 ROLLER BEARING		01
04	0503011156	ROLAMENTO 2780/2720 IMP		01
05	0503013314	RETAINER 5166-GB 63,5 X 110 X 13 ARCA		01
06	0511012492	FLAT WASHER		01
07	0503030009	1" CASTLE NUT		01
08	0503010018	5/32 X 1-1/2 COTTERPIN		01
09	0502020591	PROTECCION COVER		01
10	0503011444	SPRING WASHER		04
11	0503010358	5/16" X 5/8" BOLT		04
12	0503010002	1800 GREASE FITTING		03
13	0521063116	WHEEL SUPPORT RIGTH		01
14	0503010059	33287/33462 ROLLER BEARING		02
15	0503010050	SEAL 00085-B		01
16	0503012314	2-248 1G05195 O'RING		01
17	0541016926	HUB COVER		01
18	0502040080	FLANGE NUT R.2.1/2 UN		01
19	0503010073	3/8 X 3-1/2 COTTERPIN		01

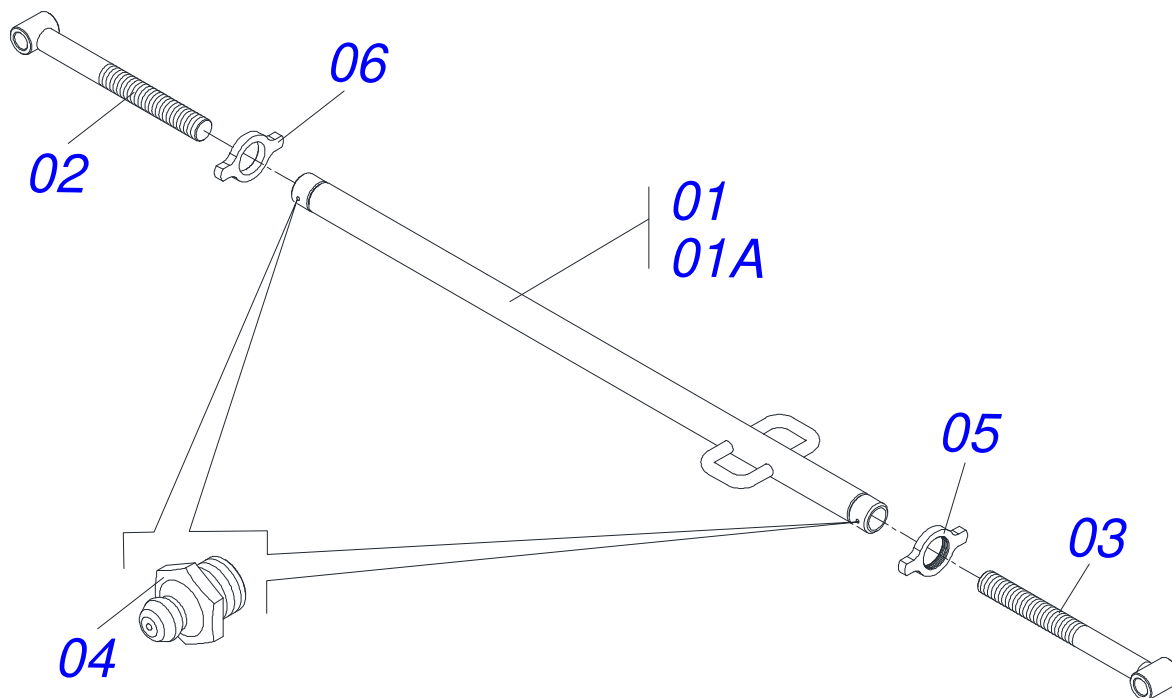




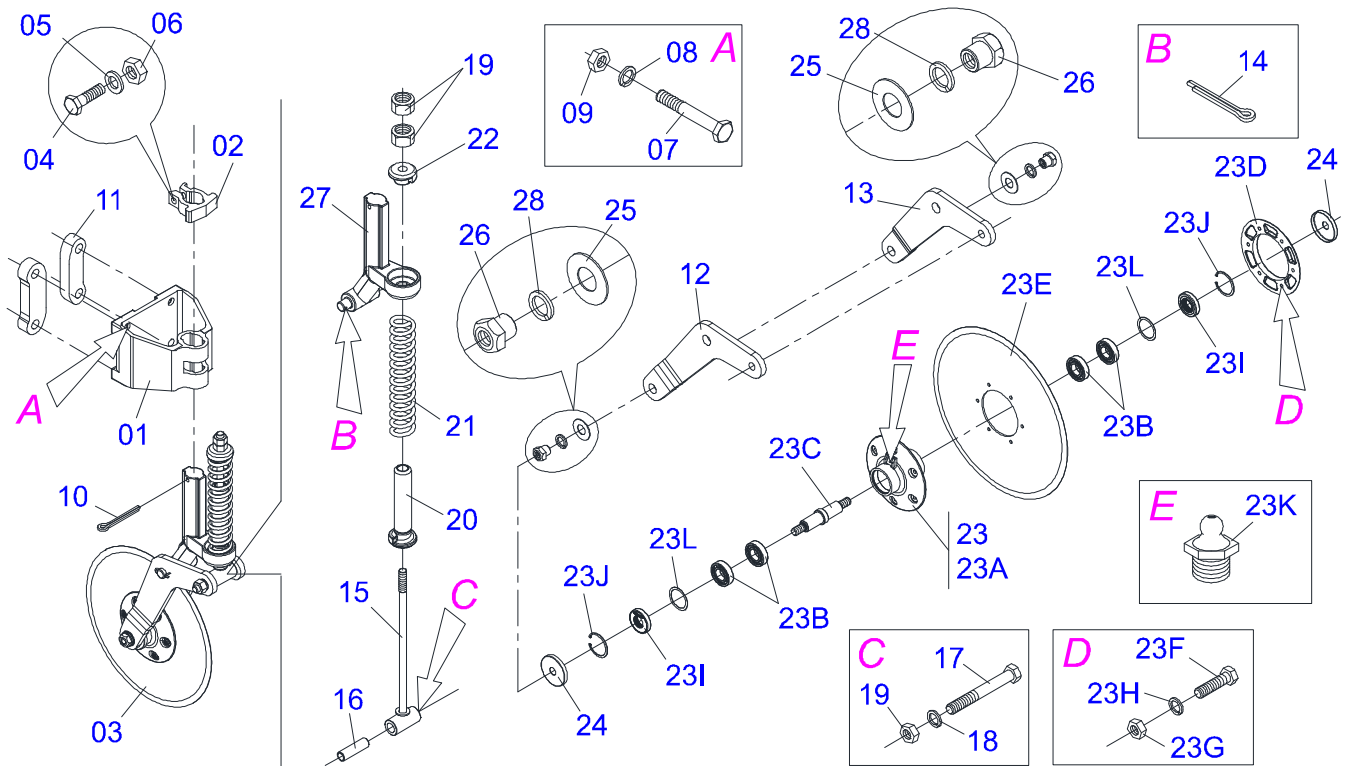
Item	Code	Description	See page	QT
01	0511051868	ARM LEFT FRONT WHEELS	11	01
01A	0521063148	WHEEL ARM LEFT		01
02	0501110738	CARRYING WHEEL HUB		01
03	0503010008	3780/3720 ROLLER BEARING		01
04	0503011156	ROLAMENTO 2780/2720 IMP		01
05	0503013314	RETAINER 5166-GB 63,5 X 110 X 13 ARCA		01
06	0511012492	FLAT WASHER		01
07	0503030009	1" CASTLE NUT		01
08	0503010018	5/32 X 1-1/2 COTTERPIN		01
09	0502020591	PROTECCION COVER		01
10	0503011444	SPRING WASHER		04
11	0503010358	5/16" X 5/8" BOLT		04
12	0503010002	1800 GREASE FITTING		03
13	0521063116	WHEEL SUPPORT RIGTH		01
14	0503010059	33287/33462 ROLLER BEARING		02
15	0503010050	SEAL 00085-B		01
16	0503012314	2-248 1G05195 O'RING		01
17	0541016926	HUB COVER		01
18	0502040080	FLANGE NUT R.2.1/2 UN		01
19	0503010073	3/8 X 3-1/2 COTTERPIN		01



Item	Code	Description	See page	QT
01	0501110738	CARRYING WHEEL HUB	01	
01A	0502012260	TRANSPORT WHEEL BOX	01	
01B	0503010064	5/8 UNF CONIC NUT	08	
01C	0501010186	WHEEL SCREW 5/8UNF X 2.1/8CR	08	
02	0503011156	ROLAMENTO 2780/2720 IMP	01	
03	0503010008	3780/3720 ROLLER BEARING	01	
04	0503013314	RETAINER 5166-GB 63,5 X 110 X 13 ARCA	01	
05	0511012494	SPINDLE	01	
06	0511012492	FLAT WASHER	01	
07	0503030009	1" CASTLE NUT	01	
08	0503010018	5/32 X 1-1/2 COTTERPIN	01	
09	0502020591	PROTECCION COVER	01	
10	0503011444	SPRING WASHER	04	
11	0503010358	5/16" X 5/8" BOLT	04	
12	0503010002	1800 GREASE FITTING	01	



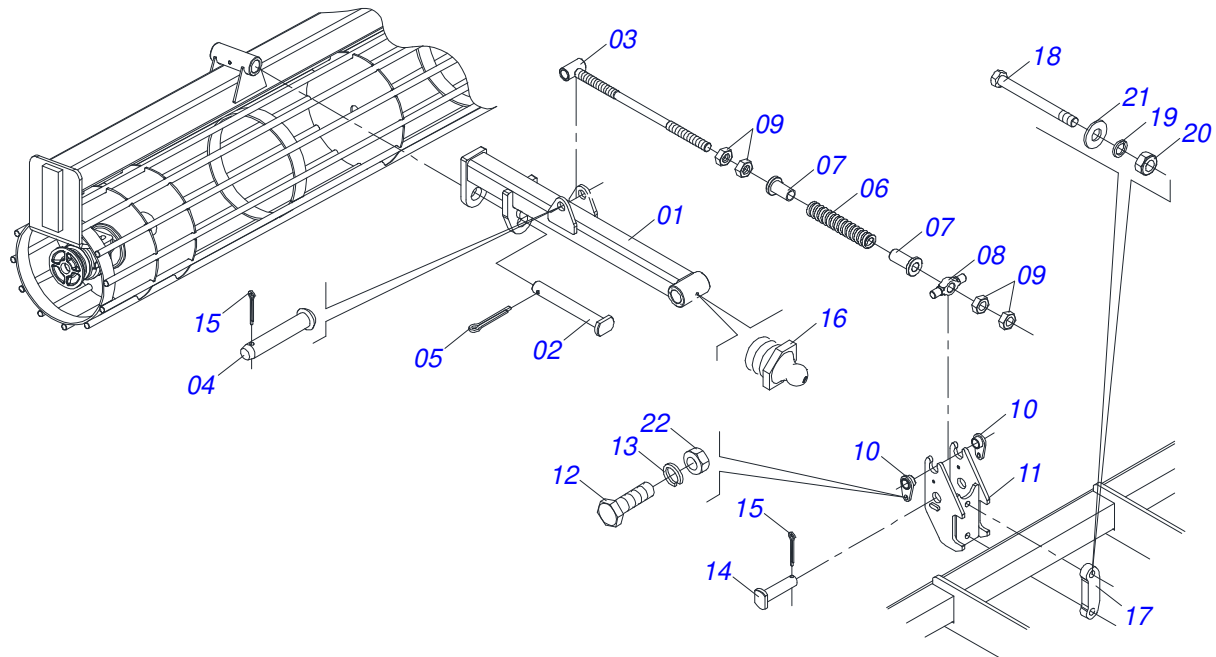
Item	Code	Description	See page	QT
01	0511051861	COPYCAT THE COMPLETE WHEELSET	13	01
01A	0521063129	TURNBUCLE		01
02	0521062691	2 X 508 RIGHT TURNBUCLELE		01
03	0521062690	2 X 508 RIGHT TURNBUCLELE		01
04	0503010002	1800 GREASE FITTING		02
05	0561019303	RIGHT LOCKNUT		01
06	0561019304	LEFT LOCKNUT		01



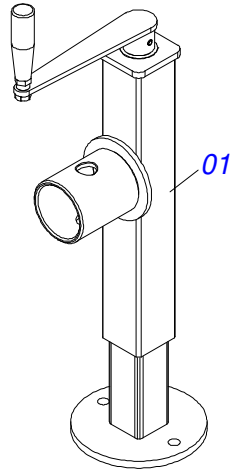
Item	Code	Description	See page	QT
01	0502012026	BLADE DISC FIXER SUPPORT		01
02	0502012024	FIXER SUPPORT BUSHING		01
03	0501056926	SUPPORT WITH BLADE DISC		01
04	0503013184	5/8" X 2-3/4" BOLT G.8		01
05	0501011299	FLAT WASHER		01
06	0503010129	5/8" NUT		01
07	0503014744	3/4 UNF X 7.1/2 C S G.7 ZN BOLT		04
08	0503010023	3/4" SPRING WASHER		04
09	0503010335	3/4"NUT		04
10	0503010534	3/8 X 2-1/2 COTTERPIN		01
11	0571011609	FIXER PLATE CUTTING DISC		02
12	0541019877	RIGHT ARM OF THE BLADE DISC		01
13	0541019878	LEFT ARM OF THE BLADE DISC		01
14	0503010571	1/4" X 1.1/2 COTTERPIN		02
15	0511060915	ROD SPRING		01
16	0521010452	SLEEVE		01
17	0503011198	C3/4" X 6" SCREW		01
18	0503011442	3/4" SPRING WASHER		01
19	0503010014	3/4" NUT		03
20	0511061576	SPRING GUIDE		01
21	0503031679	COMPRES SPRING		01
22	0502020393	SPRING UPPER SUPPORT		01
23	0501056436	DISC BLADE HUB ASSY		01
23A	0502012338	DISC BLADE HUB ASSY		01
23B	0503010276	6206 BALL BEARING		04
23C	0541017479	BLADE DISC AXLE HUB		01
23D	0502020641	BLADE DISC FLANGE		01
23E	0603026013	PLAIN COULTERS BLADE		01
23F	0503010371	5/16" X 1" BOLT		06
23G	0503010337	5/16" NUT		06
23H	0503011444	SPRING WASHER		06

<b>Item</b>	<b>Code</b>	<b>Description</b>	<b>See page</b>	<b>QT</b>
23I	0503012417	SEAL		02
23J	0503011800	SEAL RING		02
23K	0503010691	1/4" GREASE FITTING		01
23L	0503030832	FLAT WASHER		02
24	0521015376	DUST CLOAK		02
25	0511015346	FLAT WASHER		02
26	0521013510	3/4" NUT		02
27	0502012025	BLADE DISC SUPPORT		01
28	0503011438	SPRING WASHER		02

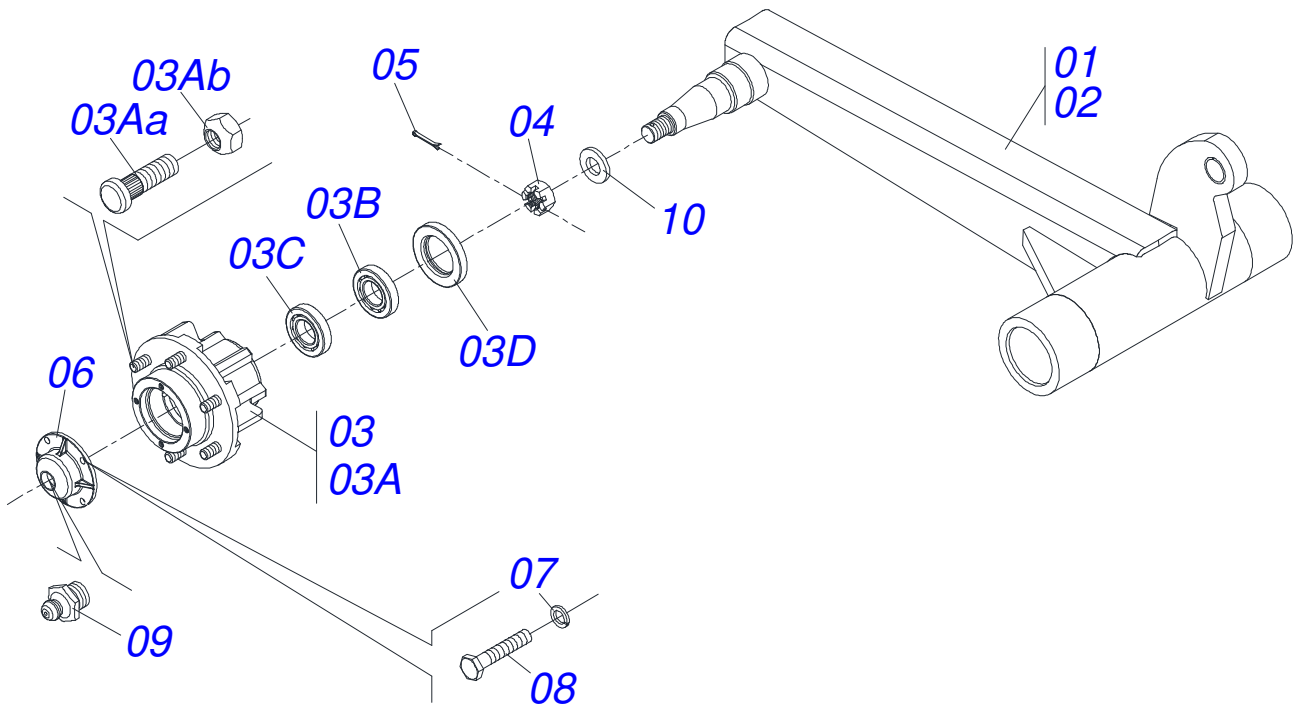
**ARM BREAK ROLLER**



Item	Code	Description	See page	QT
00	0511051871	ARM BREAK ROLLER	15	01
01	0521063139	ARM ROLLER		01
02	0521010808	1.4" X 5.8" COUPLING SHAFT		01
03	0521063150	ASSY		01
04	0521010578	COUPLING SHAFT		01
05	0503010523	1/4" X 2" COTTERPIN		01
06	0503031575	2.5"X 12" X 0.5" COMPRESSION SPRING		01
07	0571011377	SPRING GUIDES SLEVE		02
08	0571011378	TRUNNION ARTICULATOR SPRING ROD		01
09	0501010059	1.5/8 NUT		04
10	0521063151	TRUNNION LOCK ARTICULATOR SPRING ROD		02
11	0521063134	FIXER ROLL		01
12	0503010920	1/2" X 1.1/2" BOLT		02
13	0503010019	1/2" SPRING WASHER		02
14	0521062685	ARTICULATION AXIS		01
15	0503012267	5/16" X 3" COTTER PIN		02
16	0503010002	1800 GREASE FITTING		01
17	0571011609	FIXER PLATE CUTTING DISC		01
18	0503014744	3/4 UNF X 7.1/2 C S G.7 ZN BOLT		02
19	0503010023	3/4" SPRING WASHER		02
20	0503010335	3/4"NUT		02
21	0511019685	FLAT WASHER		02
22	0503010060	1/2" NUT		02

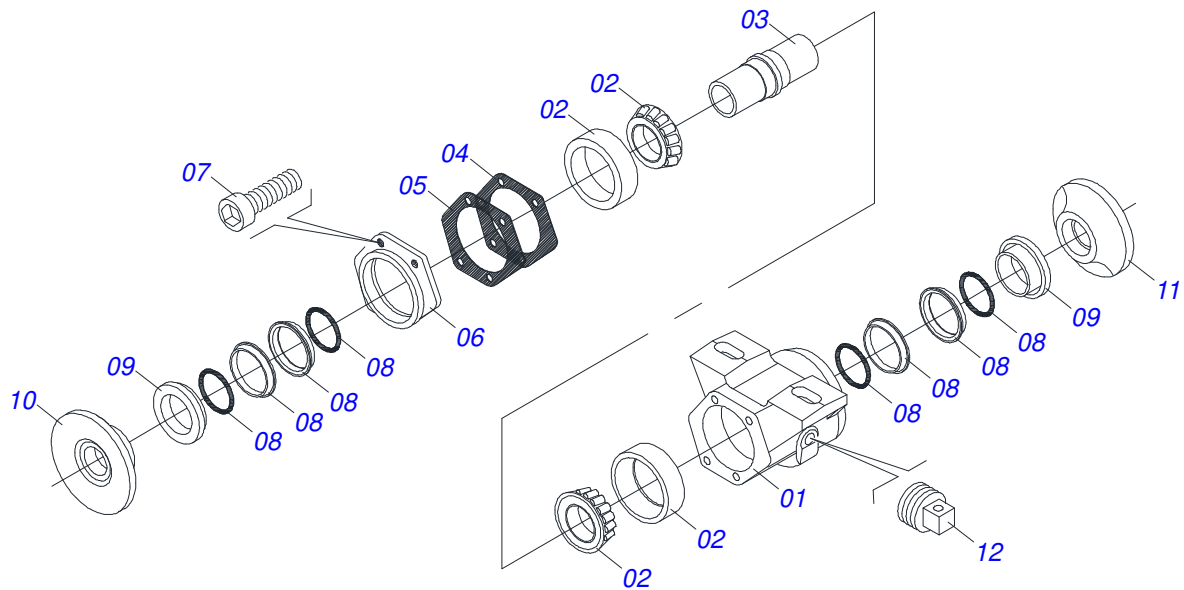


Item	Code	Description	See page	QT
01	0503062227	DRAWBAR JACK		01

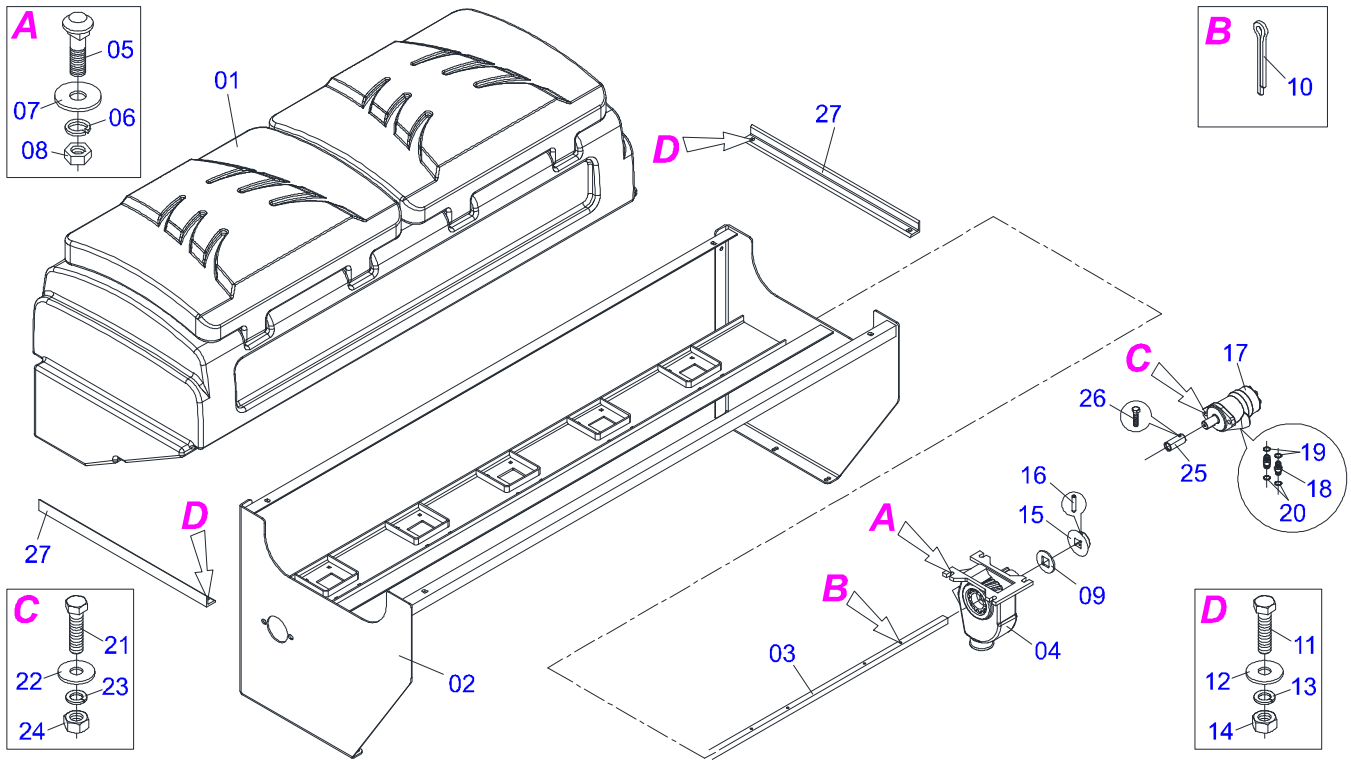


Item	Code	Description	See page	21	25
01	0501068416	RIGHT CARRYING-WHEELS		01	00
02	0501068417	LEFT CARRYING-WHEELS		00	01
03	0501051142	CARRYING WHEEL HUB		01	01
03A	0501110728	WHEEL HUB		01	01
03Aa	0501010127	9/16" X 1-7/8" LUG BOLT		01	01
03Ab	0503010035	9/16" CONIC NUT		01	01
03B	0503010006	32210 ROLLER BEARING		01	01
03C	0503010037	30207 ROLLER BEARING		01	01
03D	0503012928	SEAL		01	01
04	0503030009	1" CASTLE NUT		01	01
05	0503010018	5/32 X 1-1/2 COTTERPIN		01	01
06	0502020591	PROTECCION COVER		01	01
07	0503011444	SPRING WASHER		04	04
08	0503010358	5/16" X 5/8" BOLT		04	04
09	0503010002	1800 GREASE FITTING		01	01
10	0501016545	FLAT WASHER		01	01

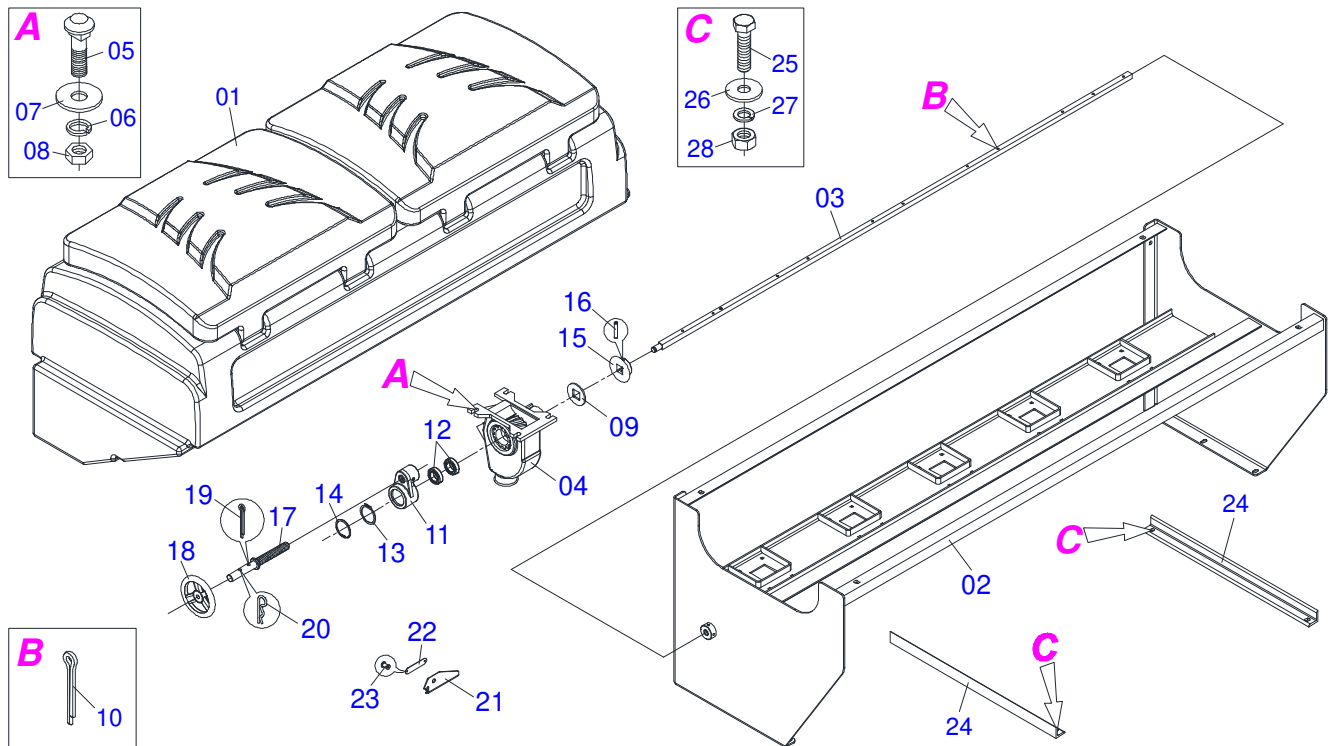




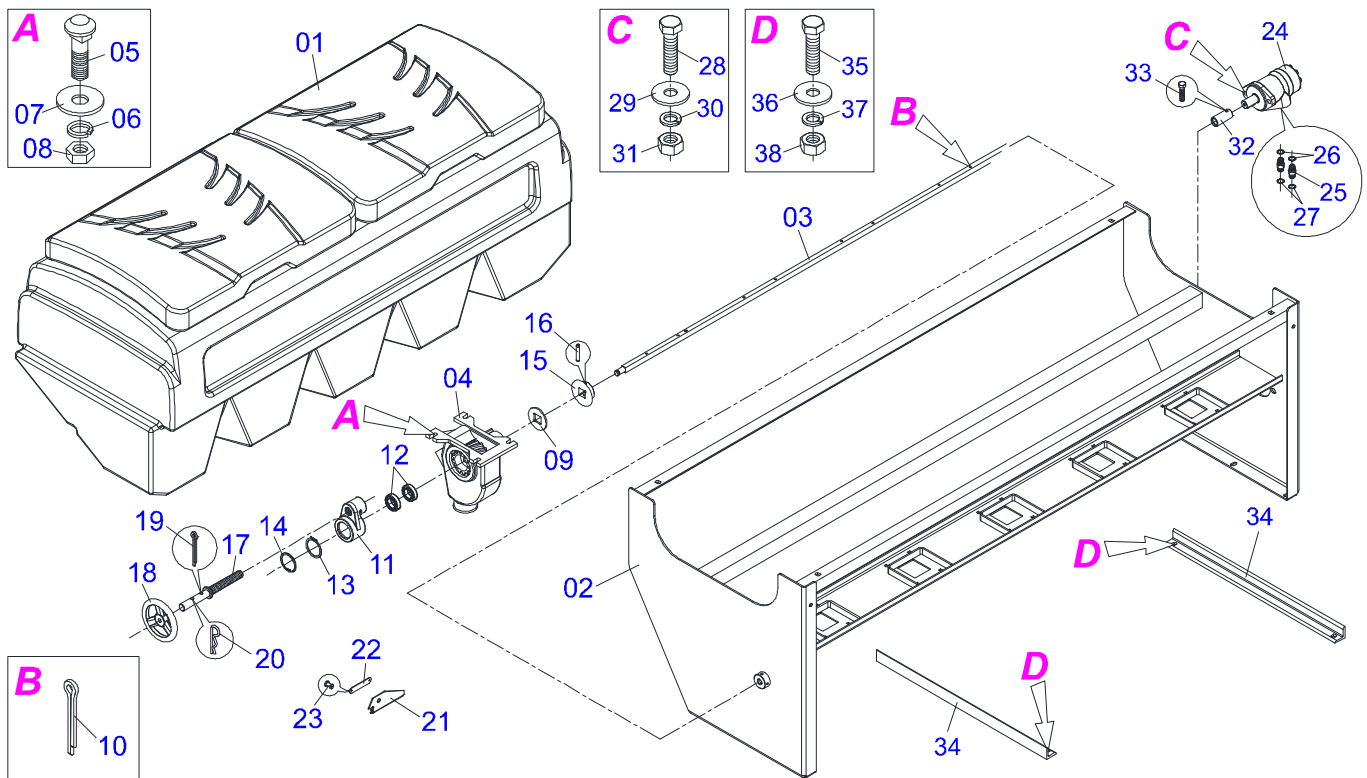
Item	Code	Description	See page	QT
01	0502010539	HOUSING DM		01
02	0503010111	30210 ROLLER BEARING		02
03	0502040218	AXLE		01
04	0503030013	4.4" X 3.5" X 0.004" JOINT		02
05	0503030684	4.4" X 3.5" X 0.004" JOINT		01
06	0502020424	HOUSING CAP		01
07	0503010134	3/8" X 1" BOLT		04
08	0503030026	SEAL LP JB-253		02
09	0502010541	SEAL RETAINER		02
10	0502010070	OUTER FLANGE		01
11	0502010071	INNER FLANGE		01
12	0503010856	OIL PLUG		01



Item	Code	Description	See page	QT
01	0503060641	COVER BOX LEFT FERTILIZER		01
02	0521063648	SUPPORT		01
03	0571012756	AXLE DITRIBUTOR		01
04	0503032990	SEED DISTRIBUTOR BOX ASSY		05
05	0503011953	5/16" X 1" BOLT		20
06	0503010179	LOCK WASHER		20
07	0501010694	FLAT WASHER		20
08	0503010337	5/16" NUT		20
09	0541015361	FLAT WASHER		10
10	0503010257	1/8" X 1" COTTERPIN		10
11	0503010849	3/8" X 1-1/2" BOLT		04
12	0501011517	FLAT WASHER		04
13	0503010025	3/8" SPRING WASHER		04
14	0503010026	3/8" NUT		04
15	0503032423	LARGE DOSER		01
16	0503010561	SPRING PIN		01
17	0503014364	MOTOR W/ AXLE		01
18	0503030925	13/16" NIPPLE		02
19	0503010045	O'RING		02
20	0503011030	2-014 N 3006-9B O'RING		02
21	0503010920	1/2" X 1.1/2" BOLT		02
22	0511017302	FLAT WASHER		02
23	0503010019	1/2" SPRING WASHER		02
24	0503010060	1/2" NUT		02
25	0521063649	SLEEVE COUPLING		01
26	0503011136	BOLT 1/2 UNC X 1/2 S C S I 12.9		01
27	0521015267	L 1.1/2" X 1/4" X 26.6" WITH HOLE		02

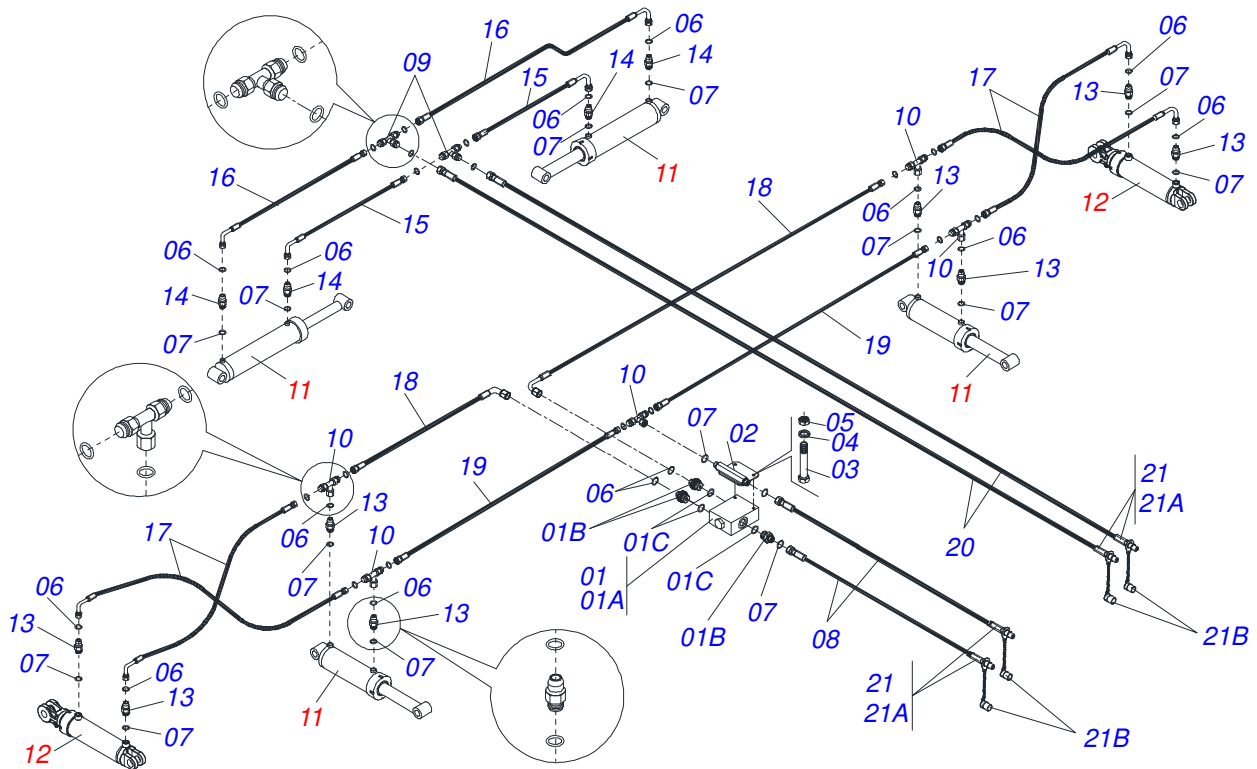


Item	Code	Description	See page	QT
00	0511052688	RIGHT REAR FINE SEED BOX ASSY	20	01
01	0503060641	COVER BOX LEFT FERTILIZER		01
02	0521063647	SUPPORT		01
03	0571012755	AXLE DITRIBUTOR		01
04	0503032990	SEED DISTRIBUTOR BOX ASSY		05
05	0503011953	5/16" X 1" BOLT		20
06	0503010179	LOCK WASHER		20
07	0501010694	FLAT WASHER		20
08	0503010337	5/16" NUT		20
09	0541015361	FLAT WASHER		10
10	0503010257	1/8" X 1" COTTERPIN		10
11	0502012325	SEED REG BEARING		01
12	0503012882	BEARING		02
13	0503012104	501015 CLAMPING RING (FOR AXLE)		01
14	0503011945	503050 CLAMPING RING (FOR AXLE)		01
15	0503032423	LARGE DOSER		01
16	0503010561	SPRING PIN		01
17	0541015305	HANDLE SPINDLE		01
18	0551019597	SEED REGULACION HANDLE		01
19	0503010523	1/4" X 2" COTTERPIN		01
20	0503031035	HITCH PIN CLIP		01
21	0561017360	SEED DOSADOR SCALE SUPPORT		01
22	0503030886	SCALE DOSER		01
23	0503010001	3.2 X 5.5 RIVET		02
24	0521015267	L 1.1/2" X 1/4" X 26.6" WITH HOLE		02
25	0503010849	3/8" X 1-1/2" BOLT		04
26	0501011517	FLAT WASHER		04
27	0503010025	3/8" SPRING WASHER		04
28	0503010026	3/8" NUT		04

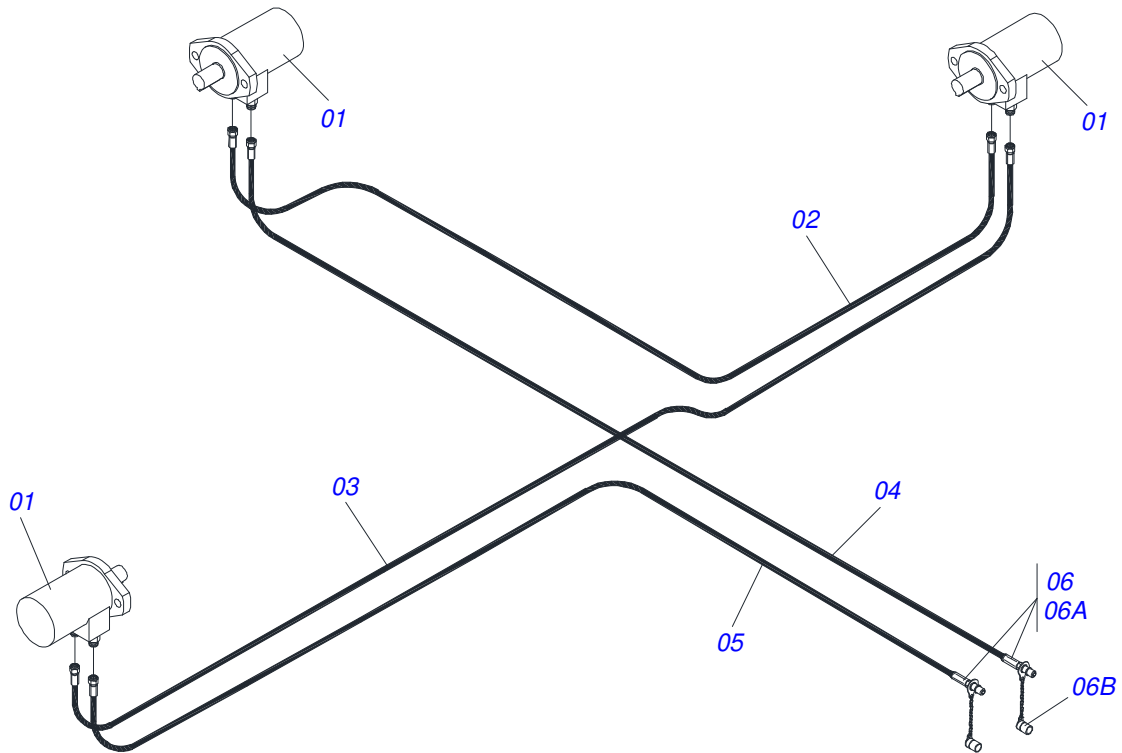


Item	Code	Description	See page	QT
01	0503060640	COVER BOX RIGHT FERTILIZER		01
02	0521063646	SUPPORT		01
03	0571012755	AXLE DITRIBUTOR		01
04	0503032990	SEED DISTRIBUTOR BOX ASSY		05
05	0503011953	5/16" X 1" BOLT		20
06	0503010179	LOCK WASHER		20
07	0501010694	FLAT WASHER		20
08	0503010337	5/16" NUT		20
09	0541015361	FLAT WASHER		10
10	0503010257	1/8" X 1" COTTERPIN		10
11	0502012325	SEED REG BEARING		01
12	0503012882	BEARING		02
13	0503012104	501015 CLAMPING RING (FOR AXLE)		01
14	0503011945	503050 CLAMPING RING (FOR AXLE)		01
15	0503032423	LARGE DOSER		01
16	0503010561	SPRING PIN		01
17	0541015305	HANDLE SPINDLE		01
18	0551019597	SEED REGULACION HANDLE		01
19	0503010523	1/4" X 2" COTTERPIN		01
20	0503031035	HITCH PIN CLIP		01
21	0561017360	SEED DOSADOR SCALE SUPPORT		01
22	0503030886	SCALE DOSER		01
23	0503010001	3.2 X 5.5 RIVET		02
24	0503014364	MOTOR W/ AXLE		01
25	0503030925	13/16" NIPPLE		02
26	0503010045	O'RING		02
27	0503011030	2-014 N 3006-9B O'RING		02
28	0503010920	1/2" X 1.1/2" BOLT		02
29	0511017302	FLAT WASHER		02
30	0503010019	1/2" SPRING WASHER		02
31	0503010060	1/2" NUT		02

<b>Item</b>	<b>Code</b>	<b>Description</b>	<b>See page</b>	<b>QT</b>
32	0521063649	SLEEVE COUPLING		01
33	0503011136	BOLT 1/2 UNC X 1/2 S C S I 12.9		01
34	0521015267	L 1.1/2" X 1/4" X 26.6" WITH HOLE		02
35	0503010849	3/8" X 1-1/2" BOLT		04
36	0501011517	FLAT WASHER		04
37	0503010025	3/8" SPRING WASHER		04
38	0503010026	3/8" NUT		04



Item	Code	Description	See page	QT
01	0511051627	FLOW DIVIDING VALVE		01
01A	0503016227	FLOW DIVIDING VALVE		01
01B	0571010736	NIPPLE R1.1/16 UN X 13/16UN OFS		03
01C	0503011109	2-119 N 3006-9B O'RING		03
02	0521062967	OIL TUBE DISTRIBUTOR		01
03	0503011053	5/16" X 3" C S 6.5 ZN BOLT		02
04	0503010179	LOCK WASHER		02
05	0503010337	5/16" NUT		02
06	0503010190	2-114 N 3006-9B O'RING		14
07	0503011030	2-014 N 3006-9B O'RING		44
08	0501081757	1/2" X 5200 TR-TM HOSE		02
09	0503013273	T 1/2" MALE ADAPTER		02
10	0503013272	T 1/2" MALE ADAPTER ASSY		05
11	0511049943	HYDRAULIC CYLINDER 53,98 X 127 X 640 X 300	8	04
12	0521041022	HYDRAULIC CYLINDER	9	02
13	0503030923	3/4" UNF X 13/16UN OFS X 40 NIPPLE		08
14	0503032031	3/4" UNF REDUCTION NIPPLE		04
15	0501081784	1/2" X 2000 TR-TC HOSE		02
16	0501081761	1/2" X 2600 TR-TR HOSE ASSY		02
17	0501081228	1/2" X 3500 TR-TC HOSE		04
18	0501081096	1/2" X 2200 TR-TC HOSE		02
19	0501081760	1/2" X 2200 TR-TR HOSE		02
20	0501082180	1/2" X 7500 TR-TM HOSE		02
21	0501053834	MALE QUICK COUPLER		04
21A	0503011627	MALE QUICK COUPLER AGR 1/2 NPT		04
21B	0503011882	MALE QUICK COUPLER CAP		04



Item	Code	Description	See page	QT
01	0503014364	MOTOR W/ AXLE		03
02	0501081917	TR-TR HOSE ASSY		01
03	0501081921	TR-TR HOSE ASSY		01
04	0501081916	TR-TM HOSE ASSY		01
05	0501081915	TR-TM HOSE ASSY		01
06	0501053834	MALE QUICK COUPLER		02
06A	0503011627	MALE QUICK COUPLER AGR 1/2 NPT		02
06B	0503011882	MALE QUICK COUPLER CAP		02







***civemasa***

**Technical Publications | Elaboration and Revision**

JOSÉ DOMINGOS GASPARI

[www.civemasa.com.br](http://www.civemasa.com.br)

