

SUBSOILER PLOUGH

STAC - 07/09H

Code: 0501090971

Series: S-0400

Revision: 00

Revision Date: ABRIL/2018

PARTS CATALOGUE


CIVEMASA

PRODUCTS

Code	Description	
0120370027	STAC 7LE DC RD	6153034 S-0400
0120370026	STAC 9LE DC RD	6151366 S-0400

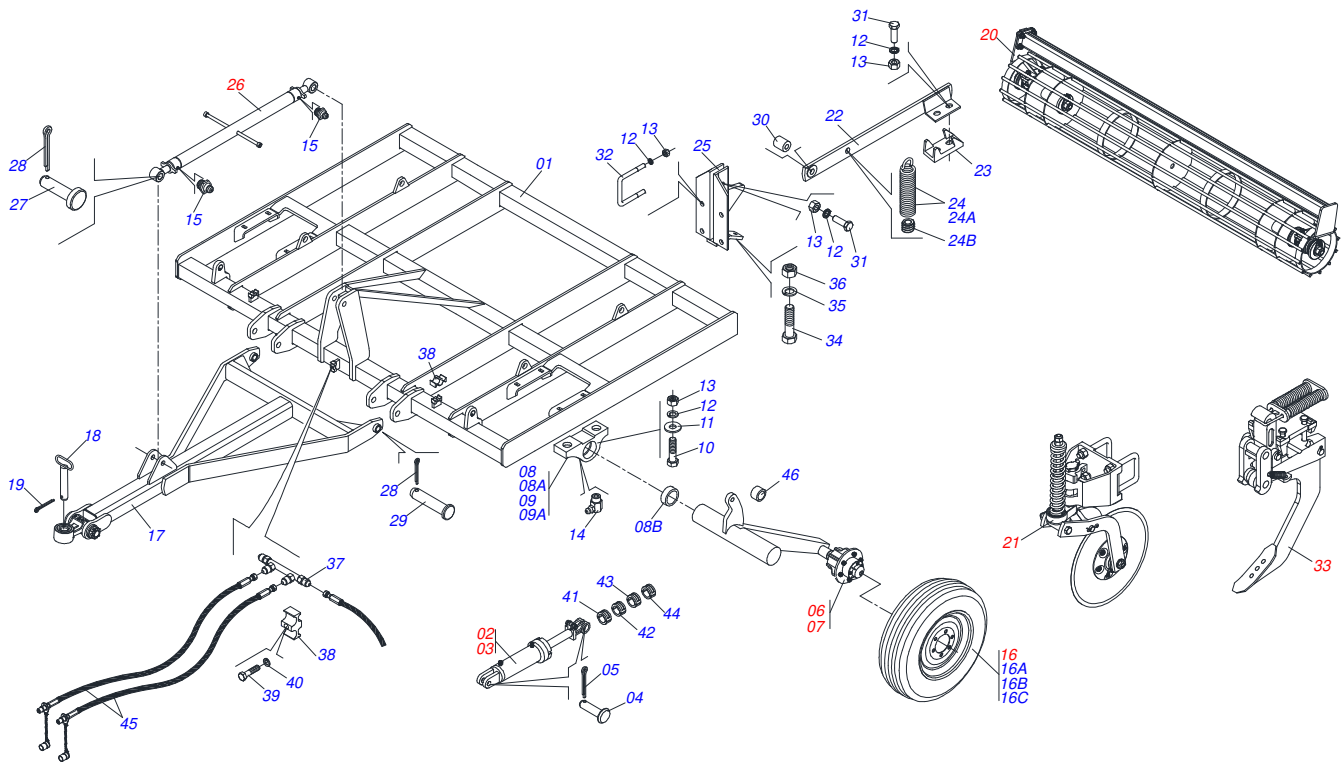
ATTENTION: IMPORTANT

Civemasa reserves the right to improve and / or modify the technical features of its products, without obligation to do the same with those products already sold and without prior knowledge of the dealer or the consumer.



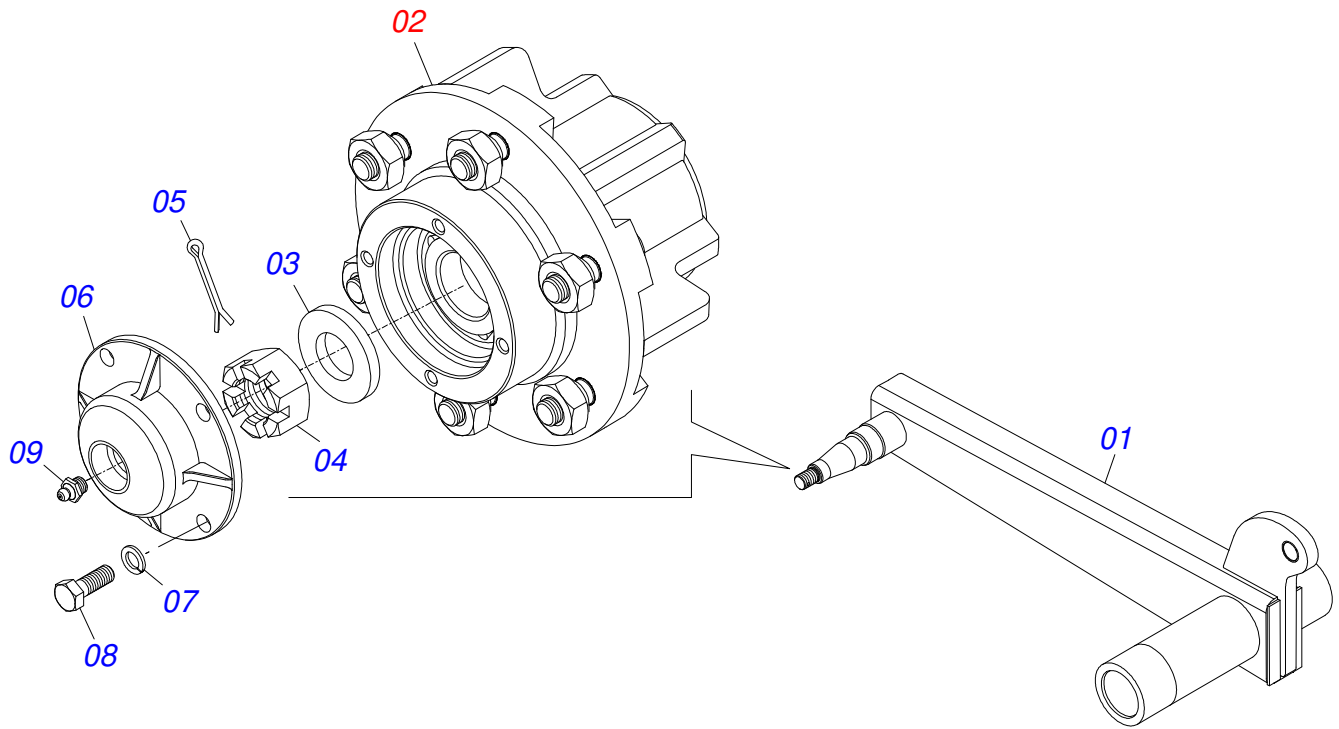
INDEX

0909093895	ASSY FRAME	1
0501051007	RIGHT CARRYING-WHEELS	2
0501051008	LEFT CARRYING-WHEELS	3
0503062010	750 X 16-12L ASSY WHEEL AND TIRE	4
0501055245	CAGE ROLLER ASSEMBLY	5
0501047356	ESTABILIZER ASSY	6
0511044859	DISC BLADE ASSY	7
0501056436	DISC BLADE HUB ASSY	8
0501049402	SHANKS SYSTEM ASSY	9
0909093903	HYDRULIC CIRCUIT	10
0521045637	HYDRAULIC CYLINDER	11
0521045636	HYDRAULIC CYLINDER	12

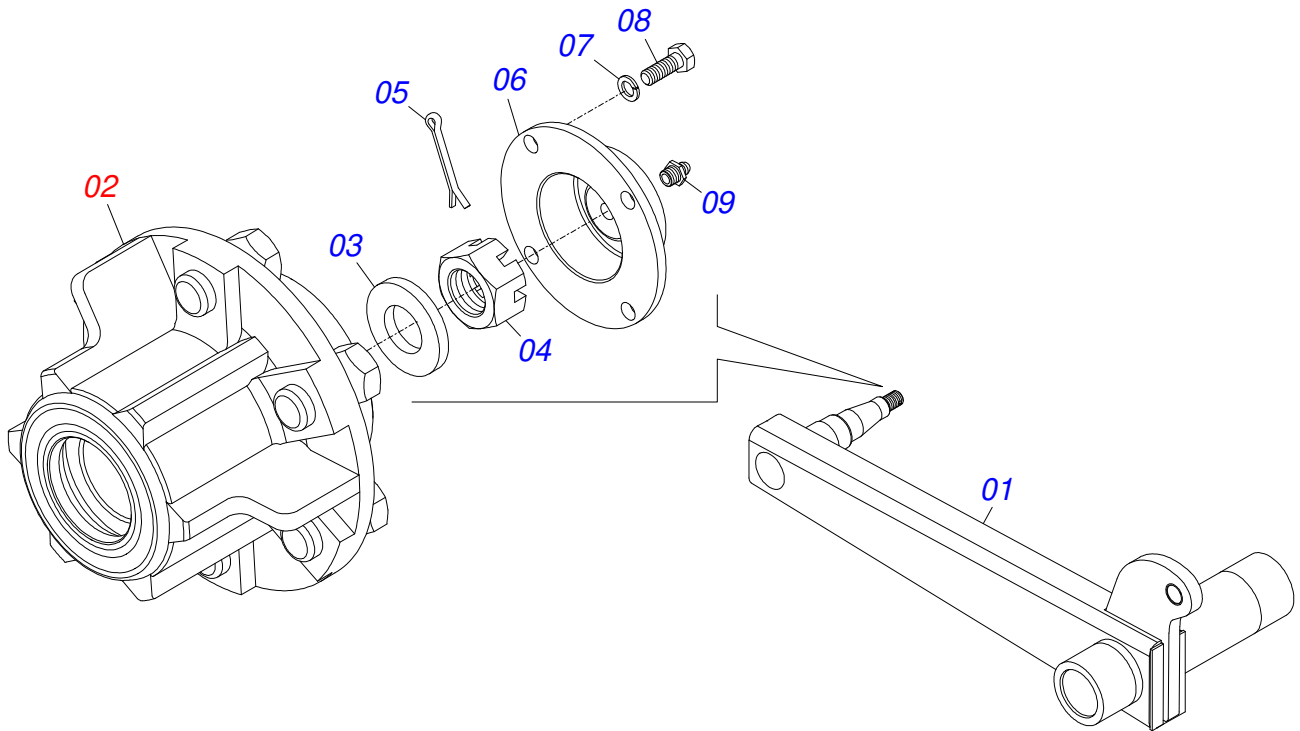


Item	Code	Description	See page	07 09
01	0501067779	AST/MATIC 7 FRAME		01 01
01.	0521063338	FRAME - 09H		01 01
02	0521045637	HYDRAULIC CYLINDER	11	01 01
03	0521045636	HYDRAULIC CYLINDER	12	01 01
04	0521012538	1.2" X 3.5" COUPLING SHAFT		04 04
05	0503010523	1/4" X 2" COTTERPIN		04 04
06	0501051007	RIGHT CARRYING-WHEELS	2	01 01
07	0501051008	LEFT CARRYING-WHEELS	3	01 01
08	0501110563	LEFT PIVOT BEARING WITH SLEEVE		02 02
08A	0502012273	PIVOT BEARING		01 01
08B	0551018339	SLEEVE NYLON 114,40 X 140 X 76		01 01
09	0501110568	RIGHT PIVOT BEARING WITH SLEEVE		02 02
09A	0502012509	RIGHT PIVOT BEARING		01 01
10	0503010901	3/4UNC 3.1/2 BOLT		08 08
11	0501010322	FLAT WASHER		08 08
12	0503010023	3/4" SPRING WASHER		36 36
13	0503010014	3/4" NUT		36 36
14	0503010004	1890 GREASE FITTING		04 04
15	0503010002	1800 GREASE FITTING		06 06
16	0503062010	750 X 16-12L ASSY WHEEL AND TIRE	4	02 02
16A	0521062708	WHEEL 5,50 X 16 X 118 X 6F 16,50 X 152,40		01 01
16B	0503010033	7.50 X 16 INNER TIRE		01 01
16C	0503012864	TYRE		01 01
17	0501067791	DRAWBAR		01 01
18	0501069080	COUPLING SHAFT		01 01
19	0503010534	3/8 X 2-1/2 COTTERPIN		08 08
20	0501055244	CAGE ROLLER ASSEMBLY		02 02
20.	0501055245	CAGE ROLLER ASSEMBLY	5	02 02
21	0511044859	DISC BLADE ASSY	7	07 07
22	0511065378	BREAK ROLLER ARM		04 04
23	0502011170	FIXER		04 04

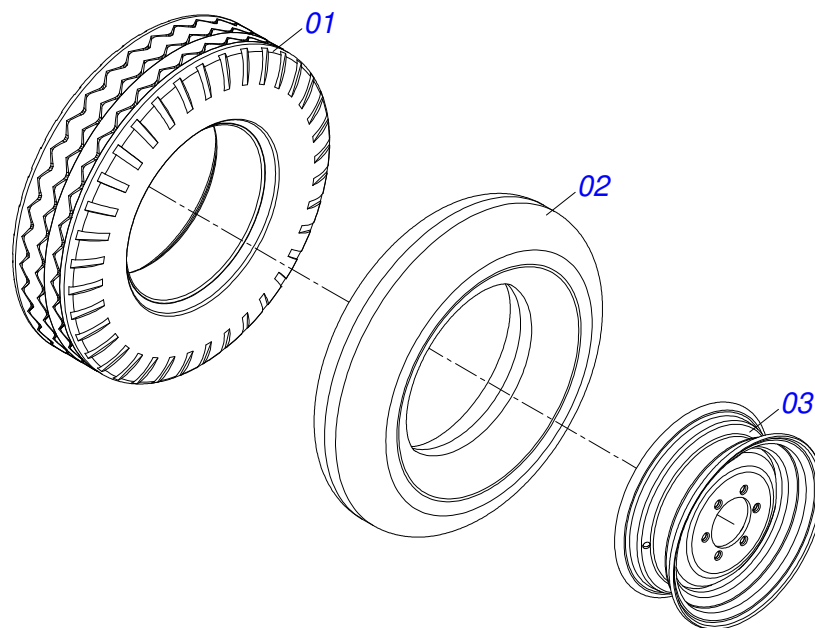
Item	Code	Description	See page	07 09
24	0501053355	HITCH TRACTION SPRING		04 04
24A	0503030806	2.3" X 8" X 0.3" TRACTION SPRING		01 01
24B	0502011060	SUPPORT SPRING		01 01
25	0501068437	BREAK ROLLER SUPPORT FIXATION		04 04
26	0501047356	ESTABILIZER ASSY	6	01 01
27	0521010579	COUPLING SHAFT		02 02
28	0503010571	1/4" X 1.1/2" COTTERPIN		04 04
29	0521010596	COUPLING SHAFT		02 02
30	0511018178	BUSHING		04 04
31	0501010216	3/4" X 4-1/2" BOLT		08 08
32	0521014574	3/4" FASTENE		08 08
33	0501052882	SHANKS SYSTEM WITHOUT SPRING		07 09
34	0503011264	1/2" X 2-1/2" BOLT		04 04
35	0511017302	FLAT WASHER		04 04
36	0503010060	1/2" NUT		04 04
37	0501068088	OIL TUBE		01 01
38	0502012702	BODY SUPPORT CLAMP		03 03
39	0503012555	SCREW 7/16 UNC X 2 CS RT G.7 ZN		03 03
40	0503010180	7/16" SPRING WASHER		03 03
41	0501047895	ROD STOP		02 02
42	0501047885	ROD STOP		02 02
43	0501047886	ROD STOP		01 01
44	0501047887	ROD STOP		02 02
45	0909093903	HYDRULIC CIRCUIT	10	01 01
46	0511019920	LUVA 32,7 X 38,8 X 25,40		02 02



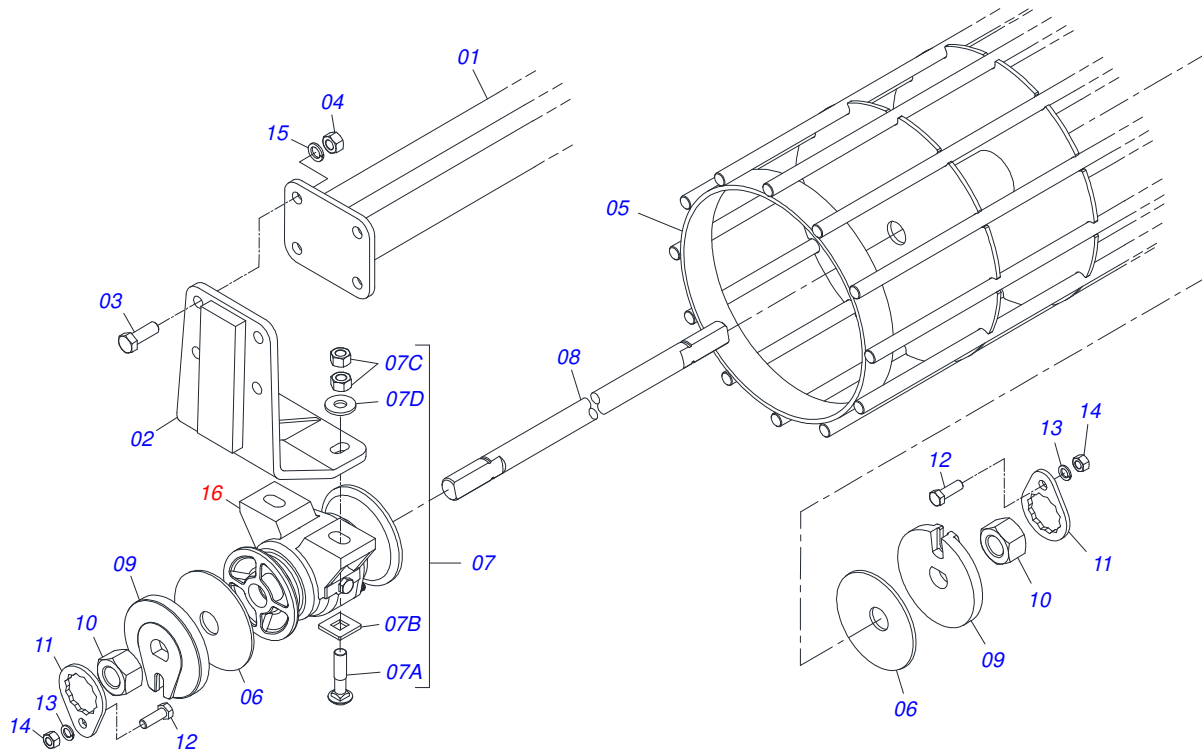
Item	Code	Description	See page	QT
01	0501068416	RIGHT CARRYING-WHEELS		01
02	0501051142	CARRYING WHEEL HUB		01
03	0501016545	FLAT WASHER		01
04	0503030009	1" CASTLE NUT		01
05	0503010018	5/32 X 1-1/2 COTTERPIN		01
06	0502020591	PROTECCION COVER		01
07	0503011444	SPRING WASHER		04
08	0503010358	5/16" X 5/8" BOLT		04
09	0503010002	1800 GREASE FITTING		01



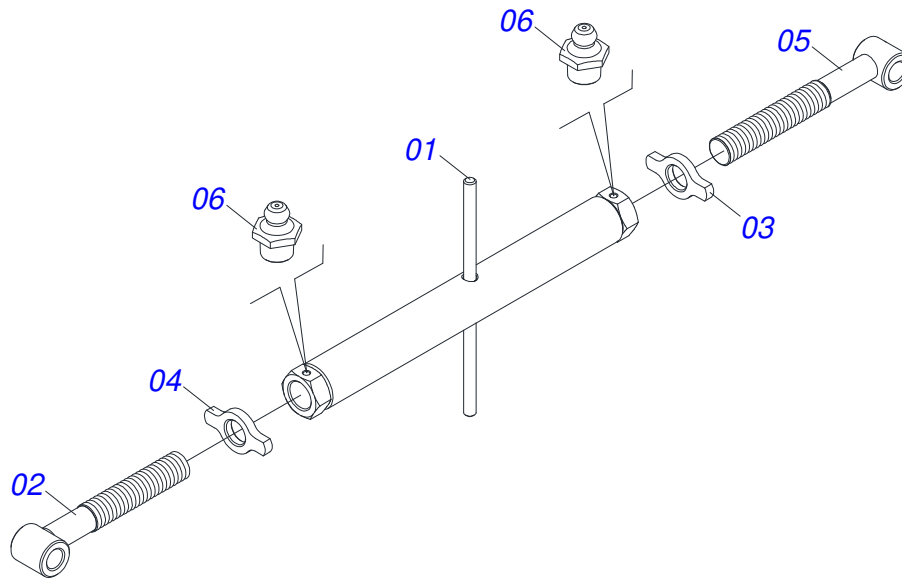
Item	Code	Description	See page	QT
01	0501068417	LEFT CARRYING-WHEELS		01
02	0501051142	CARRYING WHEEL HUB		01
03	0501016545	FLAT WASHER		01
04	0503030009	1" CASTLE NUT		01
05	0503010018	5/32 X 1-1/2 COTTERPIN		01
06	0502020591	PROTECCION COVER		01
07	0503011444	SPRING WASHER		04
08	0503010358	5/16" X 5/8" BOLT		04
09	0503010002	1800 GREASE FITTING		01



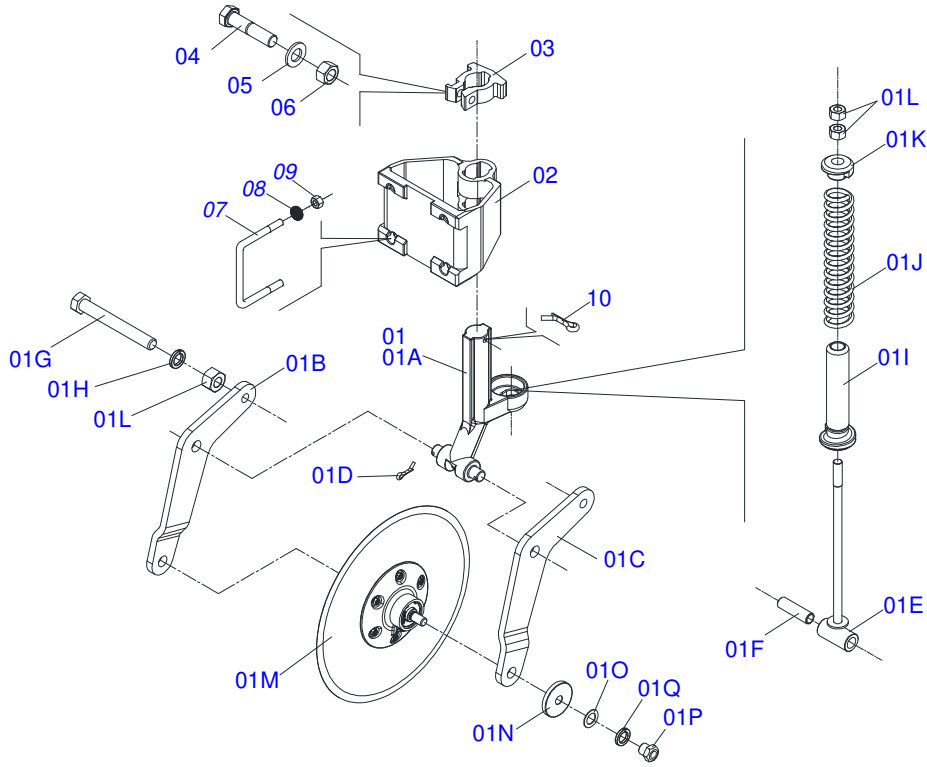
Item	Code	Description	See page	QT
01	0503012864	TYRE		01
02	0503010033	7.50 X 16 INNER TIRE		01
03	0521062708	WHEEL 5,50 X 16 X 118 X 6F 16,50 X 152,40		01



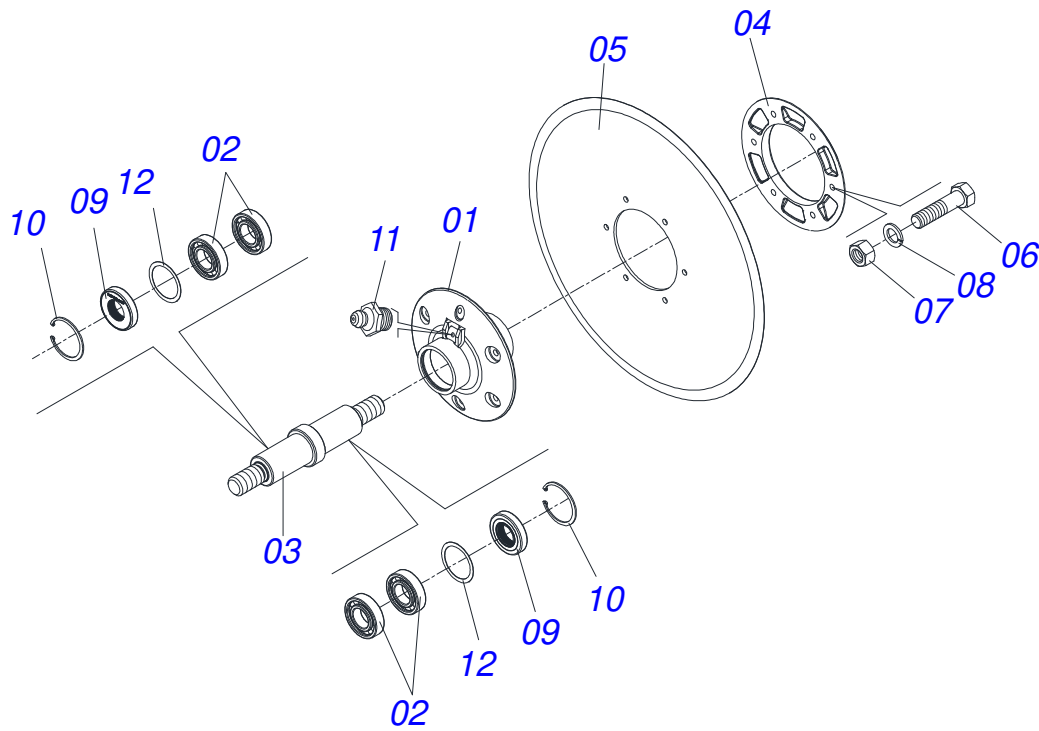
Item	Code	Description	See page	QT
01	0511065381	1729 BREAK ROLLER SUPPORT		01
02	0511069433	BREAK ROLLER BRACKET		01
03	0503010232	5/8" X 1.3/4" BOLT		04
04	0503010013	5/8" NUT		04
05	0511065384	1710 BREAK ROLLER		01
06	0531018575	WASHER CONCAVE		02
07	0501058802	5/8 UNC X 2.3/4 BOLT ASSY		04
07A	0503015154	5/8" X 2.3/4" BOLT		01
07B	0501010947	5/8 NUT LOCK		01
07C	0503010013	5/8" NUT		02
07D	0501012140	FLAT WASHER		01
08	0541011903	1.1/4" X 1755 AXLE		01
09	0502010835	1-1/4" EXTERNAL AXLE WASHER		02
10	0501010087	1.1/4" NUT		02
11	0501010455	1.1/4" NUT LOCK		02
12	0501010161	1/2" X 1.1/4" BOLT		02
13	0503011440	SPRING WASHER		02
14	0503010060	1/2" NUT		02
15	0503011445	SPRING WASHER		04
16	0501046922	7.5" X 1-1/4" OIL BATH BEARING		02



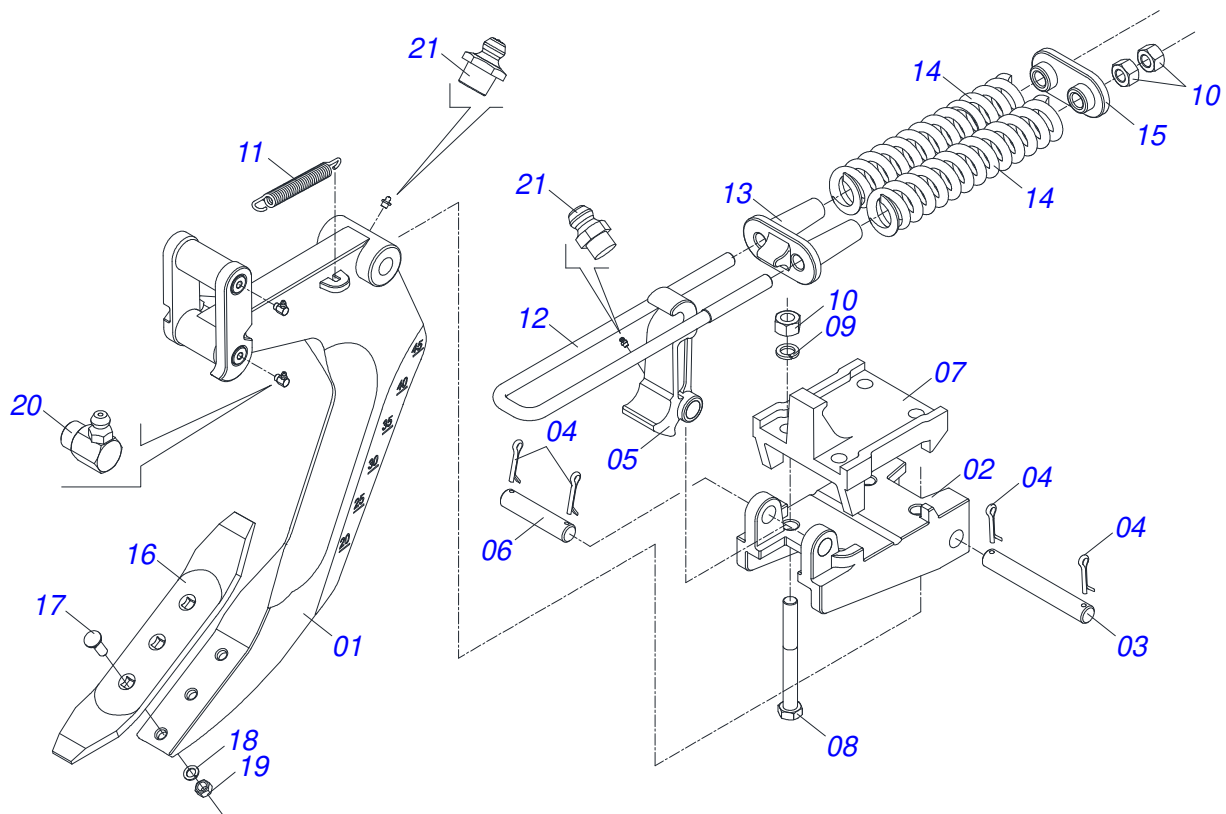
Item	Code	Description	See page	QT
01	0501068095	850 ADJUSTMENT NUT		01
02	0501068096	RIGTH TURNBUCKLE		01
03	0541018673	COUNTERNUT		01
04	0541018672	COUNTERNUT		01
05	0501068097	LEFT TURNBUCKLE		01
06	0503010002	1800 GREASE FITTING		02



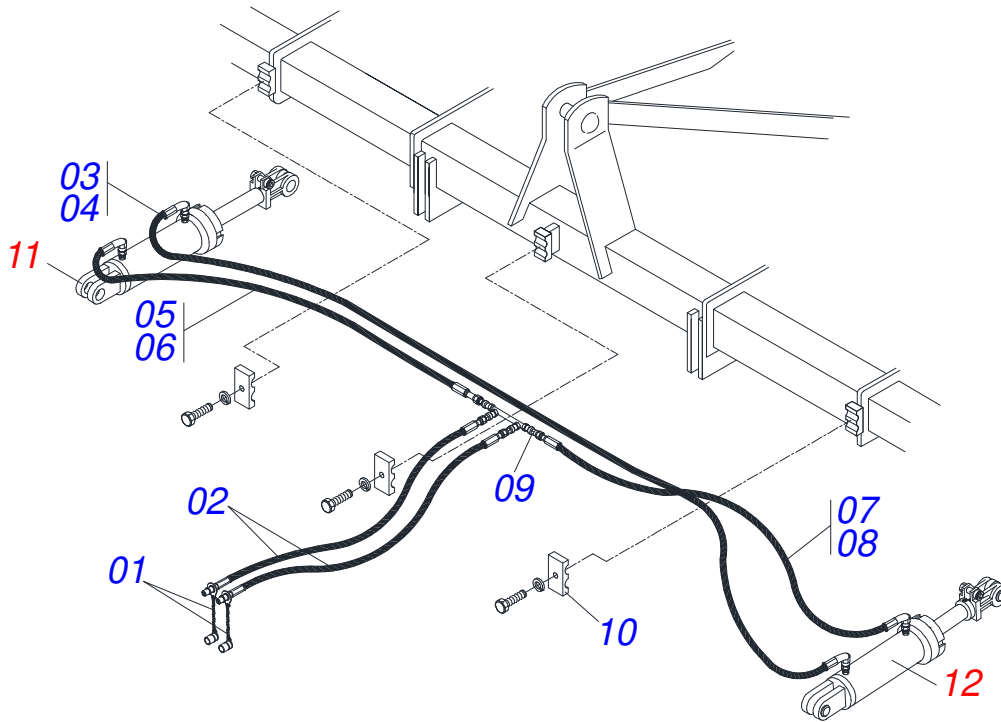
Item	Code	Description	See page	QT
001	0501056926	SUPPORT WITH BLADE DISC		01
001A	0502012025	BLADE DISC SUPPORT		01
001B	0541019877	RIGHT ARM OF THE BLADE DISC		01
001C	0541019878	LEFT ARM OF THE BLADE DISC		01
001D	0503010571	1/4" X 1.1/2 COTTERPIN		02
001E	0511060915	ROD SPRING		01
001F	0521010452	SLEEVE		01
001G	0503011198	C3/4" X 6" SCREW		01
001H	0503011442	3/4" SPRING WASHER		01
001I	0511061576	SPRING GUIDE		01
001J	0503031679	COMPRES SPRING		01
001K	1902020393	SPRING UPPER SUPPORT		01
001L	0503010014	3/4" NUT		03
001M	0501056436	DISC BLADE HUB ASSY	8	01
001N	0521015376	DUST CLOAK		02
001O	0511015346	FLAT WASHER		02
001P	0521013510	3/4" NUT		02
001Q	0503011438	SPRING WASHER		02
002	0502012026	BLADE DISC FIXER SUPPORT		01
003	0502012024	FIXER SUPPORT BUSHING		01
004	0503013184	5/8" X 2-3/4" BOLT G.8		01
005	0501011299	FLAT WASHER		01
006	0503010129	5/8" NUT		01
007	0521010660	3/4" X 5.9" X 5.1" FASTENER		02
008	0503011442	3/4" SPRING WASHER		04
009	0503010014	3/4" NUT		04
010	0503010534	3/8 X 2-1/2 COTTERPIN		01



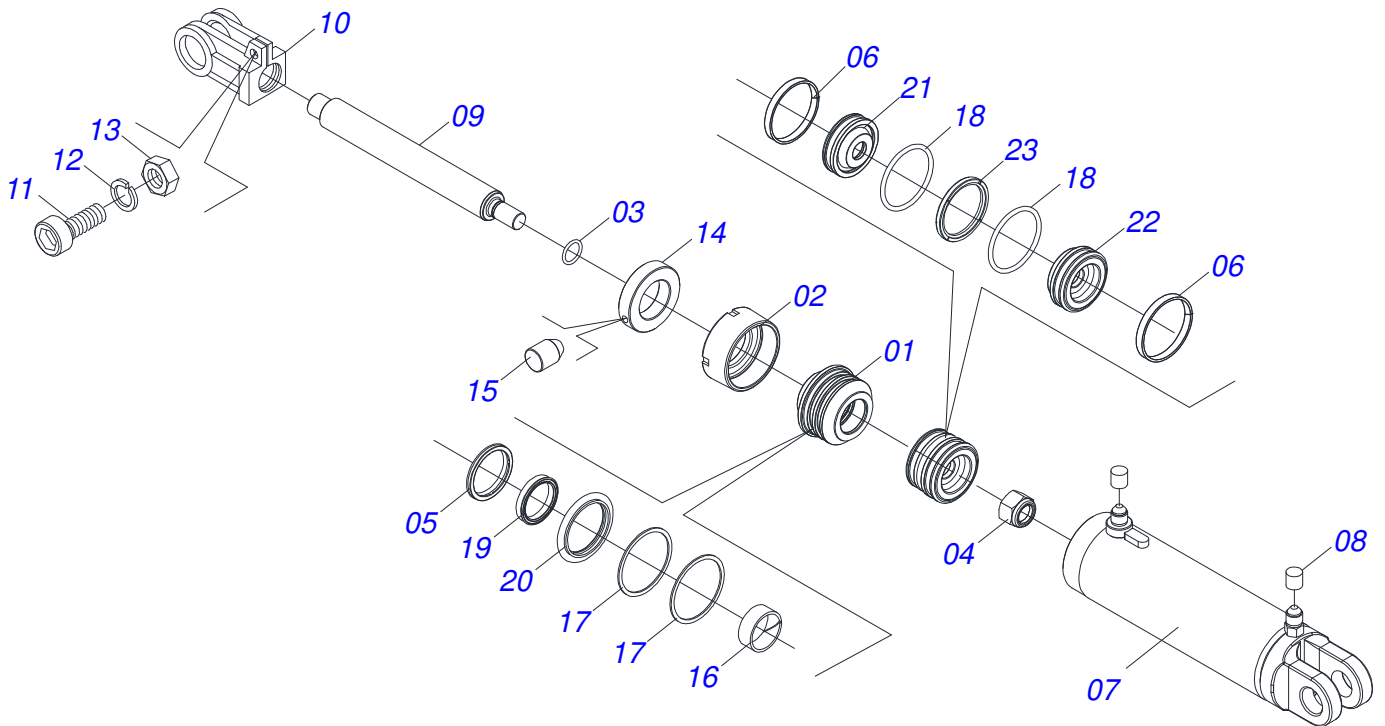
Item	Code	Description	See page	QT
01	0502012338	DISC BLADE HUB ASSY		01
02	0503010276	6206 BALL BEARING		04
03	0541017479	BLADE DISC AXLE HUB		01
04	0502020641	BLADE DISC FLANGE		01
05	0603026013	PLAIN COULTER BLADE		01
06	0503810371	BOLT 5/16 UNC X 1 C S G.5		01
07	0503810337	5/16" NUT SA		01
08	0503011444	SPRING WASHER		01
09	0503012417	SEAL		01
10	0503011800	SEAL RING		01
11	0503010691	1/4" GREASE FITTING		01
12	0503830832	FLAT WASHER 50 X 61,50 X 0,50 SA		01



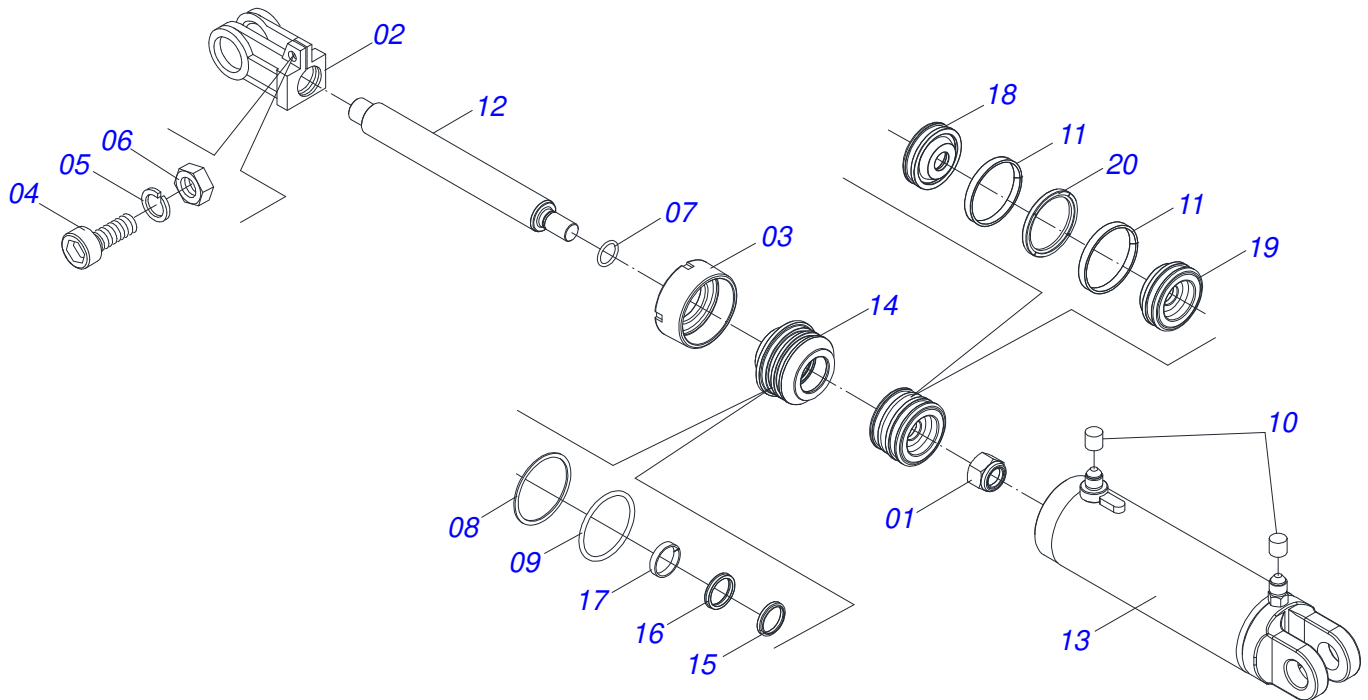
Item	Code	Description	See page	QT
01	0511061712	ARM SUBSOILER		01
02	0502012692	FIXING BASE		01
03	0521017725	1" X 7.4" COUPLING SHAFT		02
04	0503010571	1/4" X 1.1/2 COTTERPIN		04
05	0502011864	AST/MATIC 450 RESET		01
06	0521017724	1" X 6.2" COUPLING SHAFT		01
07	0502012691	FIXER BASE UPPER		01
08	0503012729	3/4" X 6-3/4" BOLT		04
09	0503011442	3/4" SPRING WASHER		04
10	0503010014	3/4" NUT		08
11	0503031574	6.9" X 0.8" X 0.1" EXTENSION SPRING		01
12	0521015426	3/4" X 18" FASTENER		01
13	0502011860	SPRING LOWER SUPPORT		01
14	0503031575	2.5"X 12" X 0.5" COMPRESSION SPRING		02
15	0502011866	SPRING UPPER SUPPORT		01
16	0624010005	POINT SUBSOILER 16"X3"X1/2" E019		01
17	0503012956	1/2" X 1-1/2" BOLT		03
18	0503011440	SPRING WASHER		03
19	0503010020	1/2"NUT		03
20	0503010004	1890 GREASE FITTING		01
21	0503010002	1800 GREASE FITTING		02



Item	Code	Description	See page	07 09
01	0501053834	MALE QUICK COUPLER WITH CAP - 1/2 NPT		02 02
02	0501080384	TR-TM HOSE ASSY		02 02
03	0501080479	TC-TC HOSE ASSY		01 00
04	0501080578	TC-TC HOSE ASSY		01 01
05	0501080025	TR-TC HOSE ASSY		01 00
06	0501080402	HOSE 3/8 X 1700 TR-TC		00 01
07	0501080431	TR-TC HOSE ASSY		01 00
08	0501080419	3/8 X 82.6" TR-TC HOSE ASSY		00 01
09	0501068088	OIL TUBE		01 01
10	0502012702	BODY SUPPORT CLAMP		03 03
11	0521045636	HYDRAULIC CYLINDER	12	01 01
12	0521045637	HYDRAULIC CYLINDER	11	01 01



Item	Code	Description	See page	QT
001	0571019711	RING SUPPORT		01
002	0571019709	DETACHABLE COVER		01
003	0503010042	2-214 N 3006-9B O'RING		01
004	0503010063	1" SELF-ALIGNING NUT		01
005	0503010761	D-1750 SCRAPER RING		01
006	0503017883	RING GUIDE		02
007	0521066592	CYLINDER CASE		01
008	0503030385	CYLINDER PLUG N-002		02
009	0521010421	HYDRAULIC CYLINDER TURNBUCKLE		01
010	0502040747	32.54 CLEVIS CLAMP		01
011	0503011094	3/8" X 2" BOLT		01
012	0503010025	3/8" SPRING WASHER		01
013	0503010026	3/8" NUT		01
014	0511018115	1.8" X 0.1" 0.7" BUSHING		01
015	0503011148	3/8" X 1/2" BOLT		01
016	0503017938	RING GUIDE		01
017	0503017940	8-337 BACK-UP RING		02
018	0503017939	2-337 N 3006-9B O' RING		02
019	0503017937	GASKET		01
020	0503017936	RING		01
021	0581012598	PISTON		01
022	0581012597	PISTON		01
023	0503018650	SEALING		01



Item	Code	Description	See page	QT
001	0503010817	1.1/4" SELF LOCKING NUT		01
002	0502040747	32.54 CLEVIS CLAMP		01
003	0502010017	4" HEAD		01
004	0503011094	3/8" X 2" BOLT		01
005	0503011443	3/8" SPRING WASHER		01
006	0503010026	3/8" NUT		01
007	0503010345	2-218 N 3006-9B O'RING		01
008	0503010338	2-342 N 3006-9B O'RING		01
009	0503011061	8-342 BACK-UP RING		01
010	0503030385	CYLINDER PLUG N-002		02
011	0503017889	RING GUIDE		02
012	0531018245	EXTENDING BODY		01
013	0521066149	CYLINDER CASE		01
014	0502011250	RING OF SUPPORT		01
015	0503015715	SCRAPER SEALING		01
016	0503015642	U-CUP SEALING		01
017	0503010973	W2-2500-500 PK O'RING G.E		01
018	0581012601	PISTON		01
019	0581012602	PISTON		01
020	0503018651	SEALING		01



civemasa

Technical Publications | Elaboration and Revision

JOSÉ DOMINGOS GASPARI

www.civemasa.com.br

