

**SUBSOILER PLOUGH**

## STAC P 500 MIGDOLUS - 600L

**Code:** 0501090969

**Series:** S-0414

**Revision:** 00

**Revision Date:** ABRIL/2023

# PARTS CATALOGUE


***CIVEMASA***

# PRODUCTS

<b>Code</b>	<b>Description</b>
0120370184	STAC P 500 5H B-PRN T600L HID DC RD S-0414

## **ATTENTION: IMPORTANT**

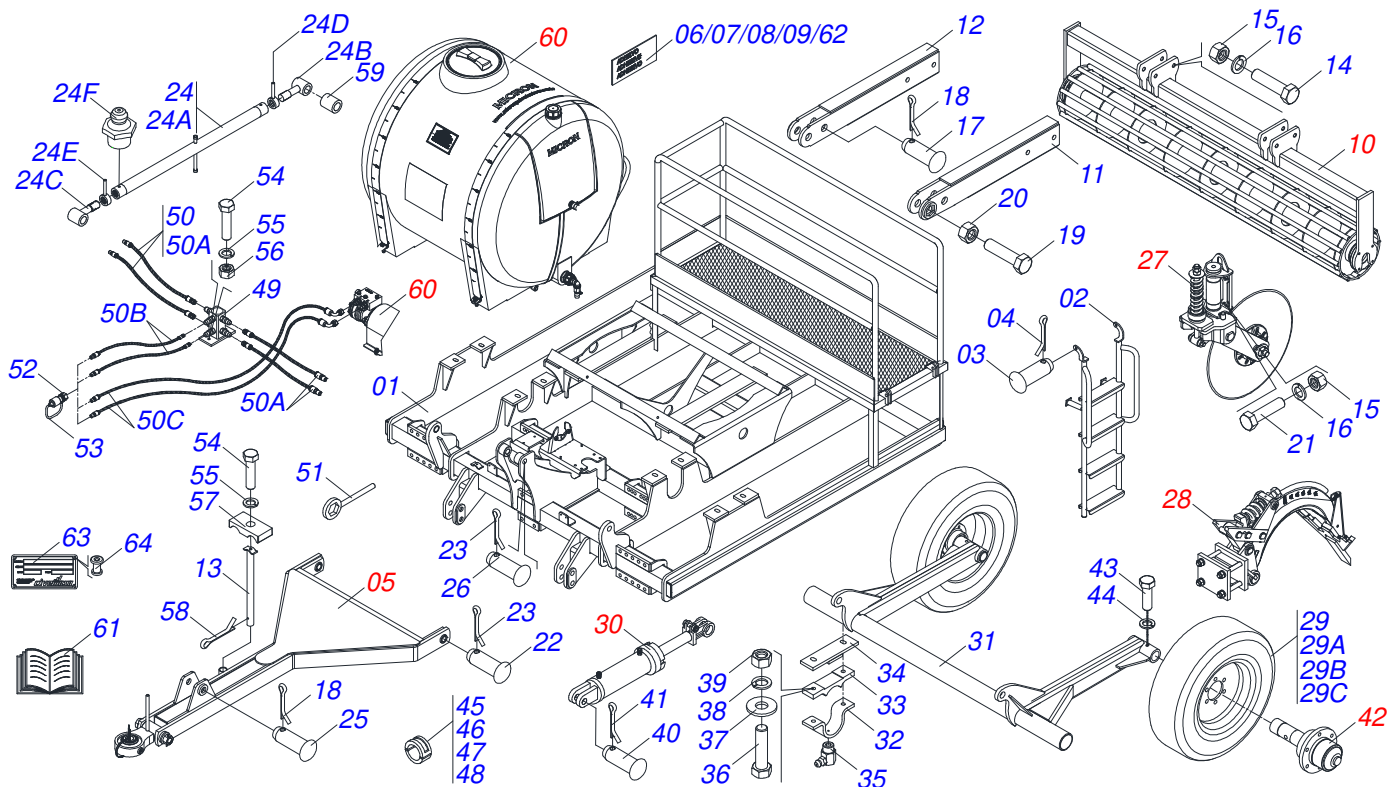
CIVEMASA reserves the right to improve and/or modify the technical features of its products, without obligation to do the same with those products already sold and without prior knowledge of the dealer or the customer. The photos are only illustrative.





# INDEX

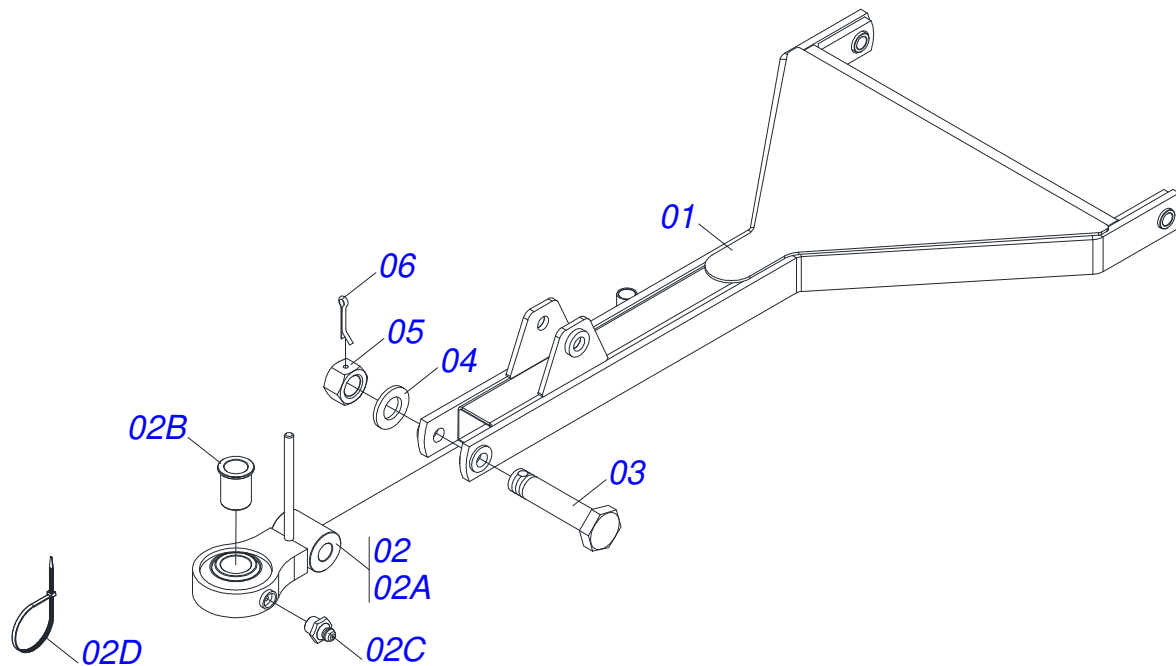
0909094431	FRAME ASSY	.....	1
0511050406	DRAWBAR ASSEMBLY	.....	2
0511050407	ASSY CAGE ROLLER WITH SUPPORT	.....	3
0501052671	24" BLADE DISC ASSY	.....	4
0501052013	24" BLADE DISC WITH HOUSING	.....	5
0501057526	DISC HUB	.....	6
0511048955	ROD SYSTEM ASSEMBLY WITH CONDUCTOR	.....	7
0501048038	HYDRAULIC CYLINDER	.....	8
0501054685	WHEELS HUB ASSY	.....	9
0511052727	HYDRAULIC SPRINKLER KIT 600LT	.....	10
0511049919	RESERVOIR	.....	11



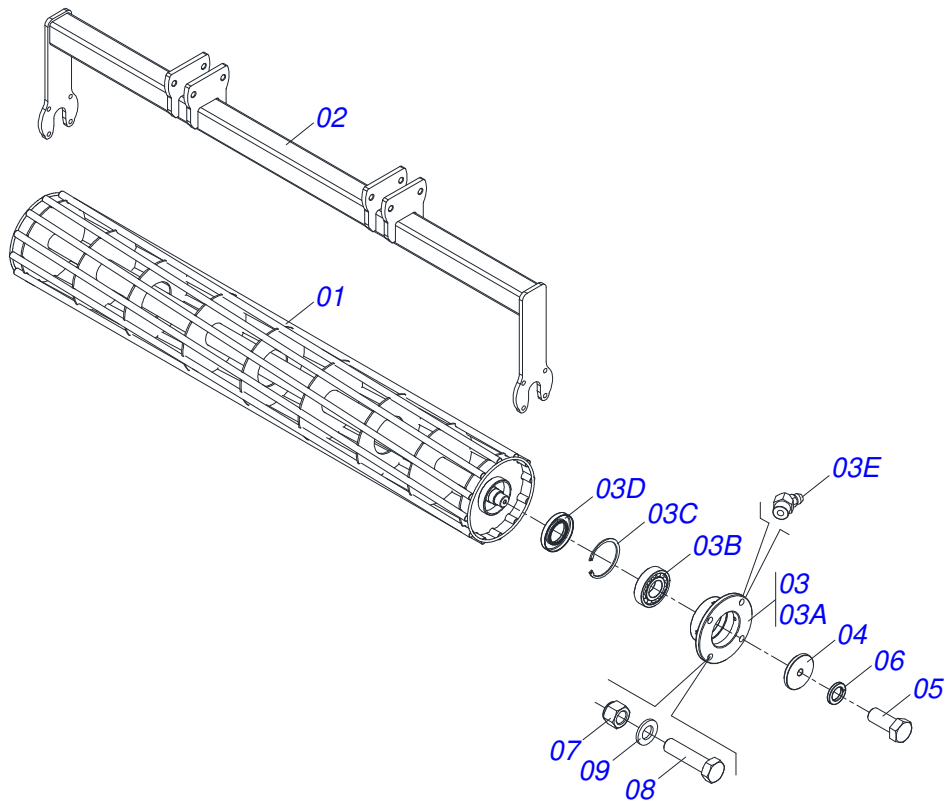
Item	Code	Description	See page	QT
01	0521061940	FRAME		01
02	0521061387	LADDER		01
03	0521017623	0.5" X 1.5" COUPLING SHAFT		02
04	0503010071	3/16" X 1" COTTERPIN		02
05	0511050406	DRAWBAR ASSEMBLY	2	01
06	0503031827	LUBRICATE AND RETIGHTEN DAILY DECAL		02
07	0503033301	STAC P EMBLEM		02
08	0503033246	ADHESIVE LABEL		02
09	0503031739	ADHESIVE LABEL		01
10	0511050407	ASSY CAGE ROLLER WITH SUPPORT	3	01
11	0521061455	LEFT ROLLER ARM		01
12	0521061461	ROLLER RIGHT ARM		01
13	0521061385	HOSE HOLDER		01
14	0503013185	3/4" X 5-1/2" BOLT		04
15	0503012183	SNC 3/4" ZIN 1K03097 NUT		24
16	0503010023	3/4" SPRING WASHER		24
17	0511014394	1.25" X 4.13" COUPLING SHAFT		02
18	0503010038	3/16 X 2 COTTERPIN		03
19	0503012529	1-1/4" X 4-3/4" BOLT		02
20	0503012181	1.1/4" NUT		02
21	0503013394	3/4" X 3" BOLT		20
22	0531010842	PIN WITH HEAD PN-600 3094941 ZN		02
23	0503010362	1/8 X 1.1/4 COTTERPIN		03
24	0501052621	TURNBUKLE ASSY		01
24A	0511060740	TURNBUKLE		01
24B	0511061491	2" SPINDLE RIGTH		01
24C	0511061492	2" SPINDLE LEFT		01
24D	0511061493	R2 UNC RIGHT STAC 5H LOCK NUT		01
24E	0511061494	R2 UNC LEFT LOCK NUT		01
24F	0503010002	1800 GREASE FITTING		02
25	0521014934	PIN WITH HEAD PN-317 3094016 ZN		01

**FRAME ASSY**

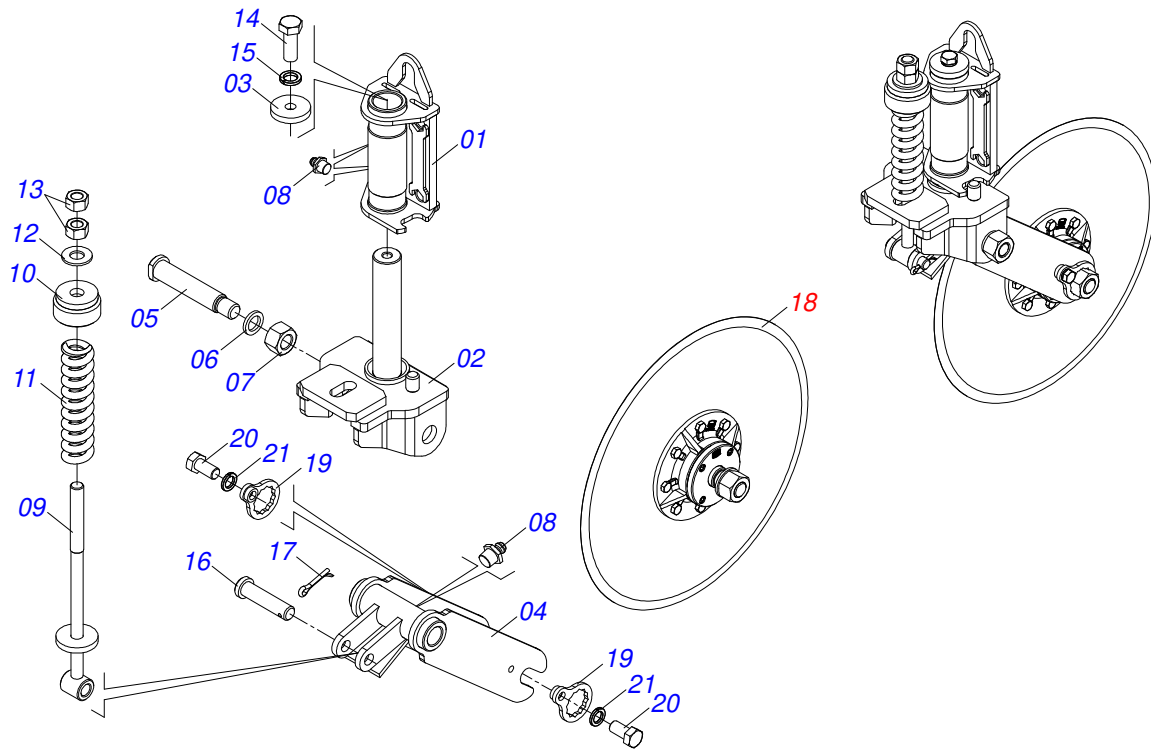
Item	Code	Description	See page	QT
26	0531019338	PIN WITH HEAD PN-378 3095189 ZN		01
27	0501052671	24" BLADE DISC ASSY	4	05
28	0511048955	ROD SYSTEM ASSEMBLY WITH CONDUCTOR	7	05
29	0511047793	WHEEL ASSEMBLY		02
29A	0503015548	W9 X 18 HOOP WHEEL		01
29B	0503015549	10,5 INNER TIRE		01
29C	0503015547	10.5 10L TIRE		01
30	0501048038	HYDRAULIC CYLINDER	8	02
31	0521060541	WHEELS AXLE		01
32	0511016831	UPPER HALF PIVOT BEARING		04
33	0502011159	LOWER HALF PIVOT BEARING		04
34	0511063688	BOOST BEARING		04
35	0503010003	1845 GREASE FITTING		08
36	0503010797	3/4" X 4" BOLT		08
37	0501010322	FLAT WASHER		08
38	0503010023	3/4" SPRING WASHER		08
39	0503012183	SNC 3/4" ZIN 1K03097 NUT		08
40	0521012538	1.2" X 3.5" COUPLING SHAFT		04
41	0503010523	1/4" X 2" SPLIT PIN		04
42	0501054685	WHEELS HUB ASSY	9	02
43	0503010762	SCREW 5/8 UNC X 3.1/2 CS G.5 ZN		02
44	0503010027	5/8 SPRING WASHER		02
45	0501047895	25 ROD STOP		06
46	0501047885	30 ROD STOP		02
47	0501047886	35 ROD STOP		02
48	0501047887	40 ROD STOP		02
49	0511063526	HYDRAULIC CONNECTION		01
50	0511050447	HOSE SET		01
50A	0501080439	3/8" X 43" TR-TR HOSE		04
50B	0501080384	3/8" X 118" TR-TM HOSE		02
50C	0501080622	3/8" X 145.6" TC-TM HOSE ASSY		02
51	0511062077	WRENCH		01
52	0503011627	MALE QUICK COUPLER AGR 1/2 NPT		02
53	0503011882	MALE QUICK COUPLER CAP		02
54	0503010751	C3/8" X 1.1/4" HEX BOLT G.5		06
55	0503010025	3/8 SPRING WASHER		06
56	0503010026	3/8" NUT		02
57	0502010477	HOSE CLAMP		02
58	0503012215	5/16" X 2-1/2" COTTERPIN		01
59	0531017666	BUSHING		01
60	0511052727	HYDRAULIC SPRINKLER KIT 600LT	10	01
61	0511032610	BAG WITH INSTRUCTION MANUAL		01
62	0503031428	READ MANUAL DECAL		01
63	0503034004	ALUMINUM IDENTIFICATION LABEL		01
64	0503010001	3.2 X 5.5 RIVET		04



Item	Code	Description	See page	QT
01	0511064443	HEADER S/ HITCH		01
02	0521047594	HITCH FIXED WITH TRACTOR		01
02A	0521068101	HITCH TRACTOR		01
02B	0581012984	41 X 52.97 SLEEVE		01
02C	0503010002	1800 GREASE FITTING		01
02D	0503018829	NYLON CLAMP		01
03	0521013837	BOLT		01
04	0501010086	FLAT WASHER		01
05	0521013817	9005A 3724810 HITCH FIX RNUT		01
06	0503010067	3/16" X 2.1/2" COTTER PIN		01

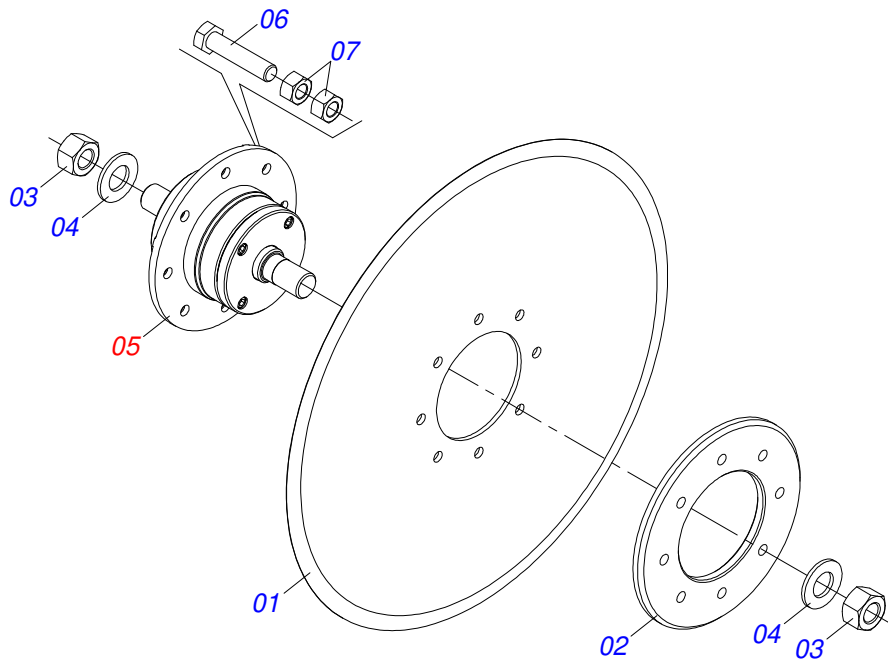


Item	Code	Description	See page	QT
01	0511062316	ARM ROLLER		01
02	0511062317	ROLLER ARM		01
03	0501052622	BOX BREAK ROLLER		02
03A	0521016749	CAGE ROLLER HUB		02
03B	0503012107	BALL BEARING		02
03C	0503011420	502100 CLAMPING RING (FOR AXLE)		02
03D	0503011418	01669-BR SEAL		02
03E	0503010003	1845 GREASE FITTING		02
04	0521016751	ROLLFIXER CUBE		02
05	0503011267	5/8 UNC X 1.1/2 C S G.5 ZN BOLT		02
06	0503010027	5/8 SPRING WASHER		02
07	0503010811	5/8" UNF SELF ADJUSTING NUT		08
08	0503011067	5/8" X 2-1/2" BOLT		08
09	0501310912	0.6" X 1" X 0.1" ZN FLAT WASHER		08

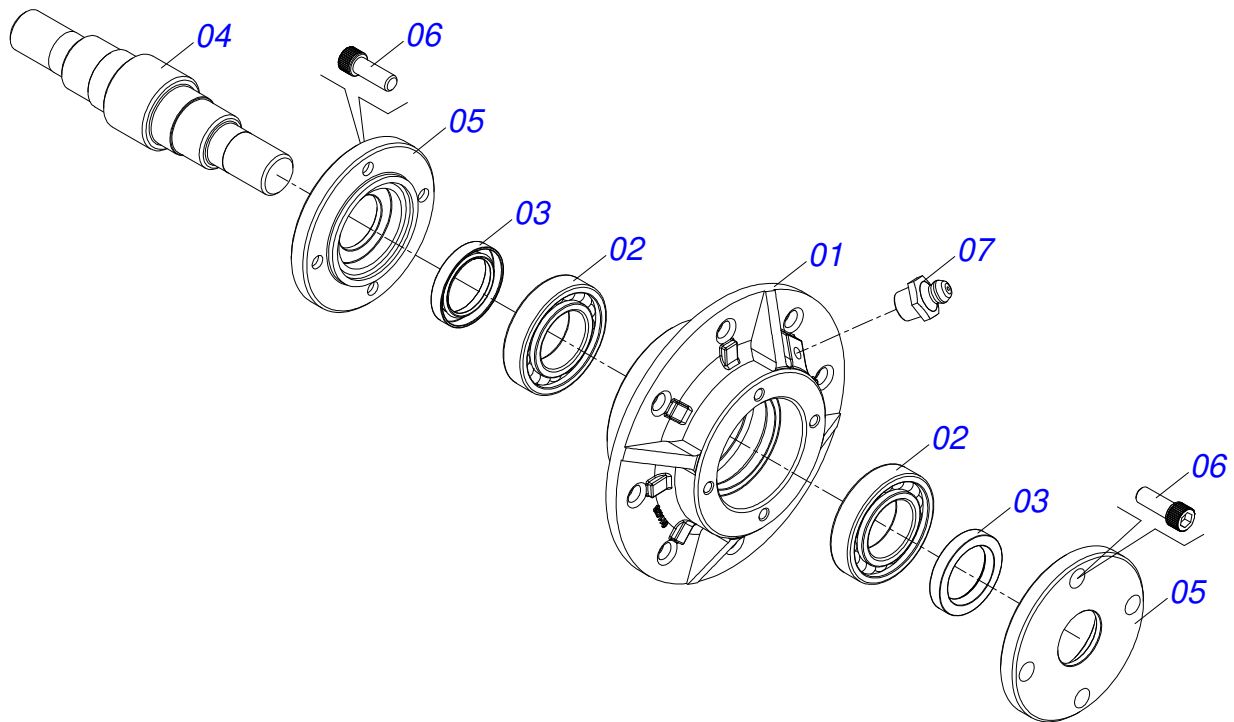


Item	Code	Description	See page	QT
01	0501069386	DISC BLADE SUPPORT		01
02	0511061619	SWIVEL BASE		01
03	0521012660	SWIVEL BASE WASHER		01
04	0511061618	BLADE DISC FORK		01
05	0521012662	SWIVEL BASE SUPPORT AXLE		01
06	0521012664	FLAT WASHER		01
07	0501010087	1.1/4" NUT		01
08	0503010002	1800 GREASE FITTING		03
09	0511061612	SPRING ROD		01
10	0511062801	SPRING FIXER SLEEVE		01
11	0503031593	SPRING		01
12	0501010065	1" SPRING WASHER		01
13	0503012182	1" NUT		02
14	0501010098	3/4" UNC BOLT		01
15	0503011442	3/4" SPRING WASHER		01
16	0521012659	SPRING ROD FIXER AXLE		01
17	0503010571	1/4" X 1.1/2 COTTERPIN		01
18	0501052013	24" BLADE DISC WITH HOUSING	5	01
19	0501069637	AXLE NUT LOCK		02
20	0503010962	5/8" X 1-1/4" BOLT		02
21	0503011445	SPRING WASHER		02

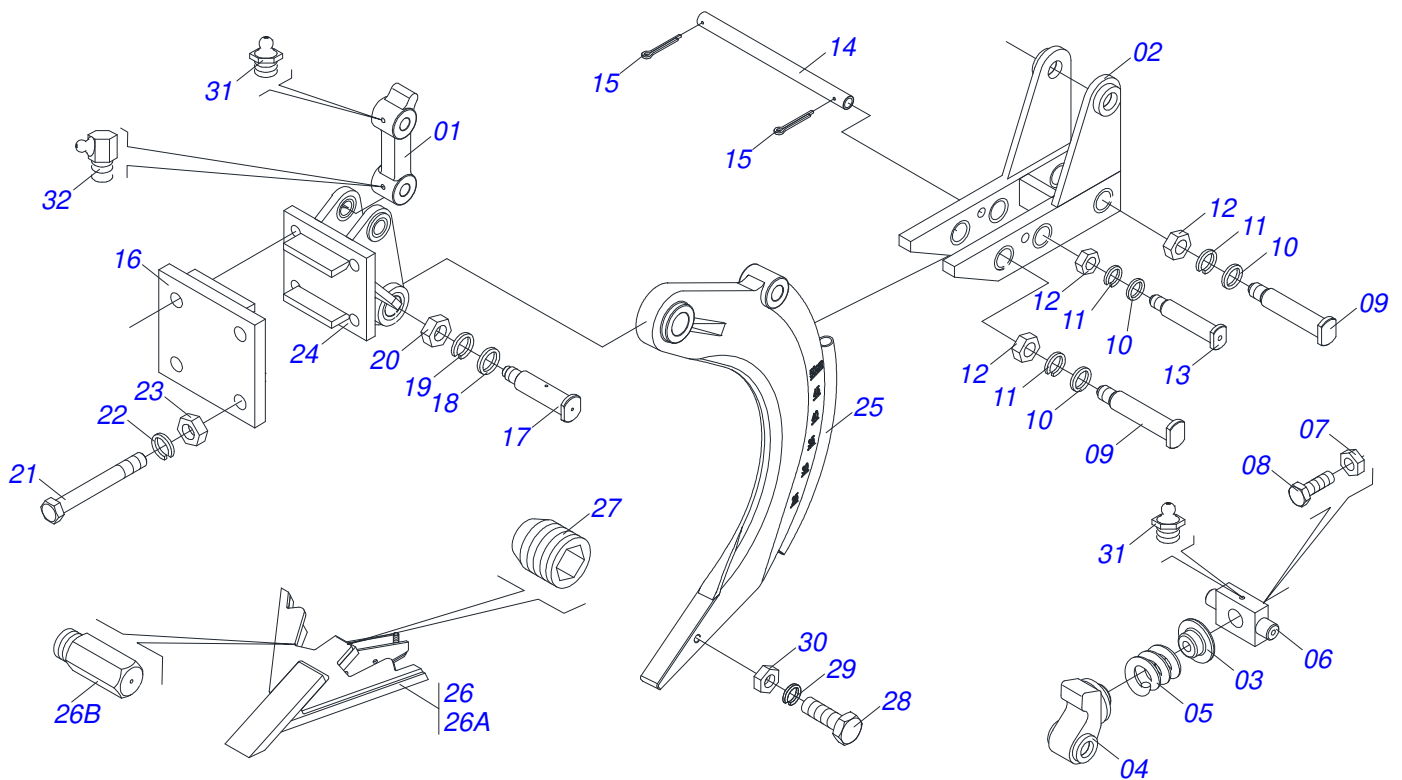




Item	Code	Description	See page	QT
01	0603030044	24" X 0.2" FLAT PLAIN DISC		01
02	0521011824	DISC BLADE SUPPORT FLANGE		01
03	0501010087	1.1/4" NUT		02
04	0501017779	32 X 60 X 4.75 FLAT WASHER		02
05	0501057526	DISC HUB	6	01
06	0503010905	1/2" X 2-1/4" BOLT		08
07	0503010060	1/2 UNC G.5 ZN HEX NUT		16

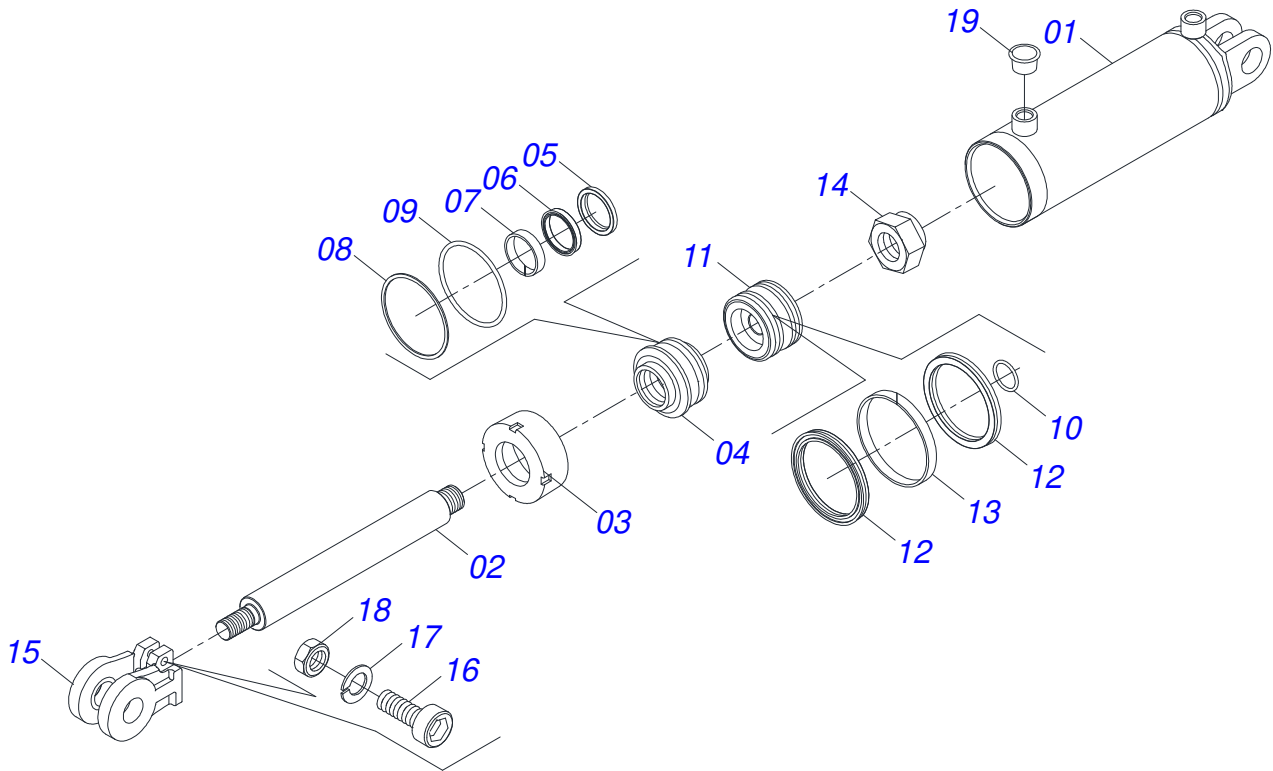


Item	Code	Description	See page	QT
01	0502011478	DISC HUB		01
02	0503011291	6209 BALL BEARING		02
03	0503012106	SEAL RETAINER 00521-BR		02
04	0521012661	DISC BLADE HUB AXLE		01
05	0502011477	BLADE DISC HOUSIG CP		02
06	0503010134	3/8" X 1" BOLT		08
07	0503010002	1800 GREASE FITTING		01
08	1882970002	GREASE SOAP		0,03Kg

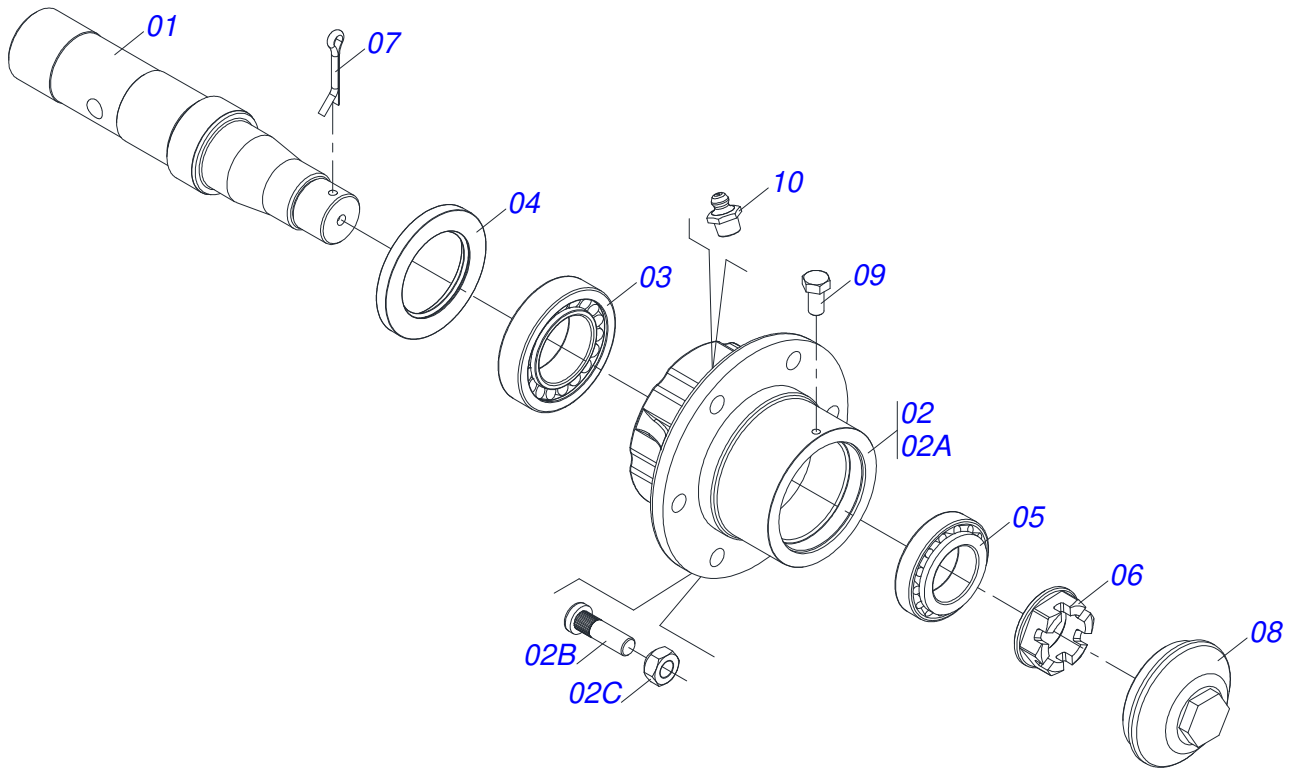


Item	Code	Description	See page	QT
01	0502040792	UPPER ARM DISARM		01
02	0502012550	LOWER ARM DISARM		01
03	0521017340	SPRING GUIDE		01
04	0502040791	HITCH DISARM		01
05	0503031882	SPRING		01
06	0502012547	SUPPORT BOLT		01
07	0503012670	LOCKNUT 1-1/2"		01
08	0521017339	REGULATION BOLT		01
09	0521017256	DISARMENT PIN		03
10	0501010076	FLAT WASHER		04
11	0503011447	SPRING WASHER		04
12	0503012182	1" NUT		04
13	0521017255	DISARMENT PIN		01
14	0521017338	PIN LOCK CACC 32600 4081632 ZN		01
15	0503010362	1/8 X 1.1/4 COTTERPIN		02
16	0502012548	ROD HOLDER ASSEMBLY		01
17	0521017254	ARTICULATION PIN		01
18	0501010086	FLAT WASHER		01
19	0503011439	1.1/4" SPRING WASHER		01
20	0503010352	1.1/4" UNF NUT		01
21	0503013137	1" X 8" BOLT		04
22	0503011438	SPRING WASHER		04
23	0503012182	1" NUT		04
24	0502012549	ROD SUPPORT		01
25	0521062035	ROD WITH CONDUCTOR		01
26	0511049712	ASSY TIP ROD ASSY		01
26A	0521062454	ROD TIP		01
26B	0561019241	HERBICIDE OUTLET DUCT		04
27	0561014975	PLUG		04
28	0503010734	1/2" X 2-1/2" BOLT		01
29	0503010019	1/2" SPRING WASHER		01

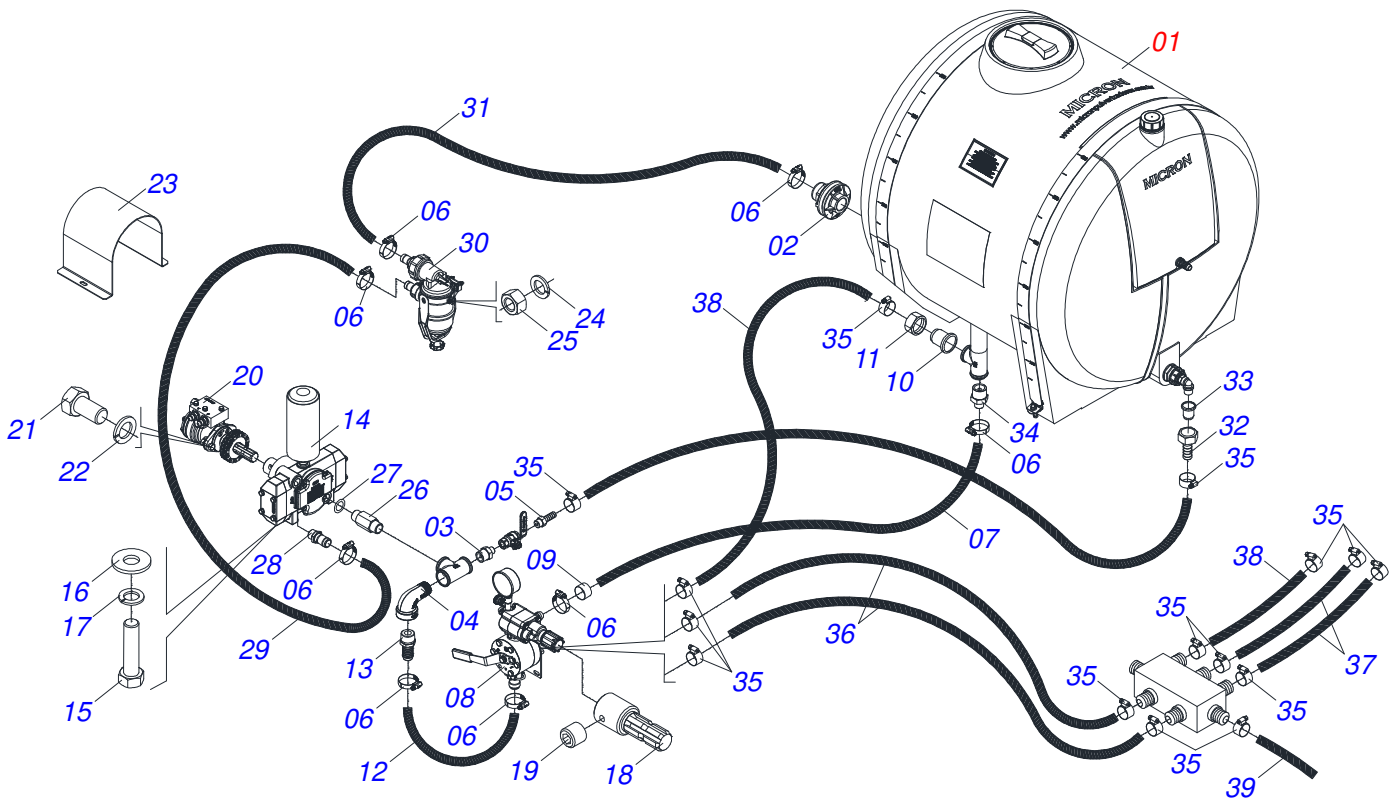
<b>Item</b>	<b>Code</b>	<b>Description</b>	<b>See page</b>	<b>QT</b>
30	0503010060	1/2 UNC G.5 ZN HEX NUT		01
31	0503010002	1800 GREASE FITTING		04
32	0503010003	1845 GREASE FITTING		01



Item	Code	Description	See page	QT
01	0501069372	114,3 X 440 CYLINDER CASE		01
02	0521011666	50,8 X 443 TURNBUCLE		01
03	0502011222	0.56" END CAP		01
04	0502011220	2" X 4.5" RING SUPPORT		01
05	0503010039	D-2000 SCRAPER RING		01
06	0503010991	1870-2000-375-B GASKET		01
07	0503010952	W2-2250-500 RING		01
08	0503011893	BACK-UP RING, 8-346		01
09	0503011892	O' RING, 2-346 N 3006-9B		01
10	0503010345	2-218 N 3006-9B O'RING		01
11	0502011221	2.0" X 4.5" PISTON		01
12	0503011890	3750-3750 GASKET		02
13	0503011891	W2-4500-500 RING G.E		01
14	0503010817	1.1/4" SELF LOCKING NUT		01
15	0502040747	32.54 CLEVIS CLAMP		01
16	0503011094	3/8" X 2" BOLT		01
17	0503010025	3/8 SPRING WASHER		01
18	0503010026	3/8" NUT		01
19	0503030385	CYLINDER PLUG N-002		02



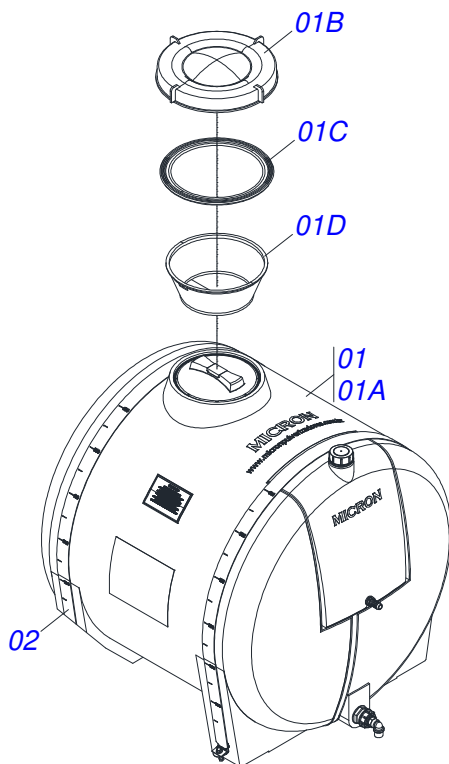
Item	Code	Description	See page	QT
01	0531019478	CR 30M/1 AXLE		01
02	0501110768	HUB CARRYING WHEELS WITH BOLT		01
02A	0502011389	BOX		01
02B	0501010186	WHEEL SCREW 5/8UNF X 2.1/8CR		06
02C	0503010064	5/8 UNF CONIC NUT		06
03	0503010005	32212 ROLLER BEARING		01
04	0503010009	RETAINER 00573-B		01
05	0503010006	32210 ROLLER BEARING		01
06	0501010888	1.3/4" 2.5/16" CASTLE NUT		01
07	0503010010	1/4" X 2.1/2" COTTERPIN		01
08	0502020593	COVER		01
09	0503010295	SCREW 5/16 UNC X 5/8 CS G.2 ZN		01
10	0503010002	1800 GREASE FITTING		01



Item	Code	Description	See page	QT
01	0511049919	RESERVOIR	11	01
02	0503013967	3/4" PVC ADAPTER		01
03	0503013970	NIPLE		01
04	0503013969	3/4 ELBOW THREAD		01
05	0503013975	HOSE COUPLING		01
06	0503013973	22 X 32 CLAMP		08
07	0551016272	3/4" X 1700 AB-AB HOSE		01
08	0503013908	COMMAND JACTO		01
09	0503013976	GASKET		01
10	0571010261	HOSE COUPLING		01
11	0503013974	NUT		01
12	0551016273	3/4" X 850 AB-AB HOSE		01
13	0503014257	POINT		01
14	0503013907	PUMP		01
15	0503010365	BOLT 5/16 UNC X 1.1/4 C S G.5 ZN		04
16	0501010984	10,50 X 27 X 3,00 FLAT WASHER		04
17	0503010179	LOCK WASHER 5/16 ZN 1K01528		04
18	0501077929	DRIVE SHAFT		01
19	0503011136	BOLT 1/2 UNC X 1/2 S C S I 12.9		01
20	0503014867	MOTOR		01
21	0503010920	1/2 UNC X 1.1/2 C S G.5 ZN BOLT		02
22	0503010019	1/2" SPRING WASHER		02
23	0551018434	PROTECTION		01
24	0503010143	1/4" SPRING WASHER		02
25	0503010144	1/4" NUT		02
26	0503011275	1/2" X 3/4" NIPPLE		02
27	0503012905	2113 O'RING		02
28	0503014261	POINT		01
29	0571013302	HOSE 1 X 1300 AB-AB SPIRAL FLEX		01
30	0503013906	FILTER		01
31	0571013303	1 X 1700 AB-AB FLEX HOSE SPIRAL		01

<b>Item</b>	<b>Code</b>	<b>Description</b>	<b>See page</b>	<b>QT</b>
32	0503013972	CONNECTION		01
33	0571012216	ADAPTER		01
34	0503013968	3/4 X 1 1G21769 NIPPLE		01
35	0503014255	14 X 22 CLAMP		14
36	0571013297	HOSE 1/2 X 1500 AB-AB		02
37	0571013301	1/2" X 2500 AB-AB HOSE		02
38	0571013298	1/2" X 1600 AB-AB HOSE		02
39	0571013300	1/2" X 94" AB-AB SANSUY ORANGE HOSE		01





Item	Code	Description	See page	QT
01	0503061721	TANK		01
01A	0503016592	TANK		01
01B	0503016463	COVER TANK		01
01C	0503016464	RING		01
01D	0503016465	SCREEN NOZZLE TANK		01
02	0503061955	ASSEMBLY		02



# **ANNOTATION**

Lined area for writing annotations, consisting of horizontal lines spaced evenly down the page.





***civemasa***

***Technical Publications | Elaboration and Revision***

ALESSANDRA PATRICIA KAWAHARA CARRILI

[www.civemasa.com.br](http://www.civemasa.com.br)

