

SUBSOILER PLOUGH

STAC P 500

Code: 0501090968
Series: S-0414
Revision: 00
Revision Date: SETEMBRO/2021

PARTS CATALOGUE

CIVEMASA

PRODUCTS

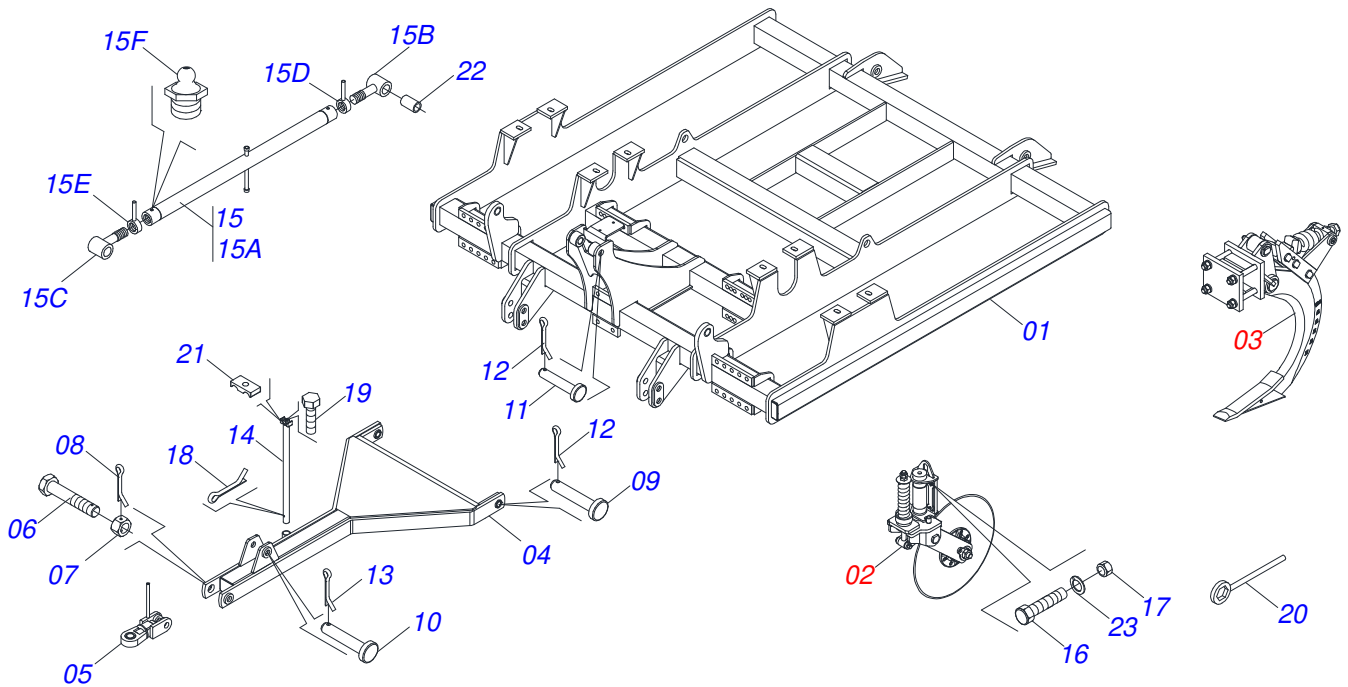
Code	Description
0120370188	STAC P 500 5H B-PRN S-0414
0120370187	STAC P 500 5H B-PRN DC S-0414
0120370185C	STAC P 500 5H B-PRN DC RD EXP S-0414
0120370185	STAC P 500 5H B-PRN DC RD S-0414
0120370317	STAC P 500 5H B-PRN DC RD ESPECIAL S-0414
0120370186	STAC P 500 5H B-PRN RD S-0414
0120370192	STAC P 500 7H B-PRN S-0414
0120370191	STAC P 500 7H B-PRN DC S-0414
0120370189	STAC P 500 7H B-PRN DC RD S-0414
0120370190	STAC P 500 7H B-PRN RD S-0414

ATTENTION: IMPORTANT

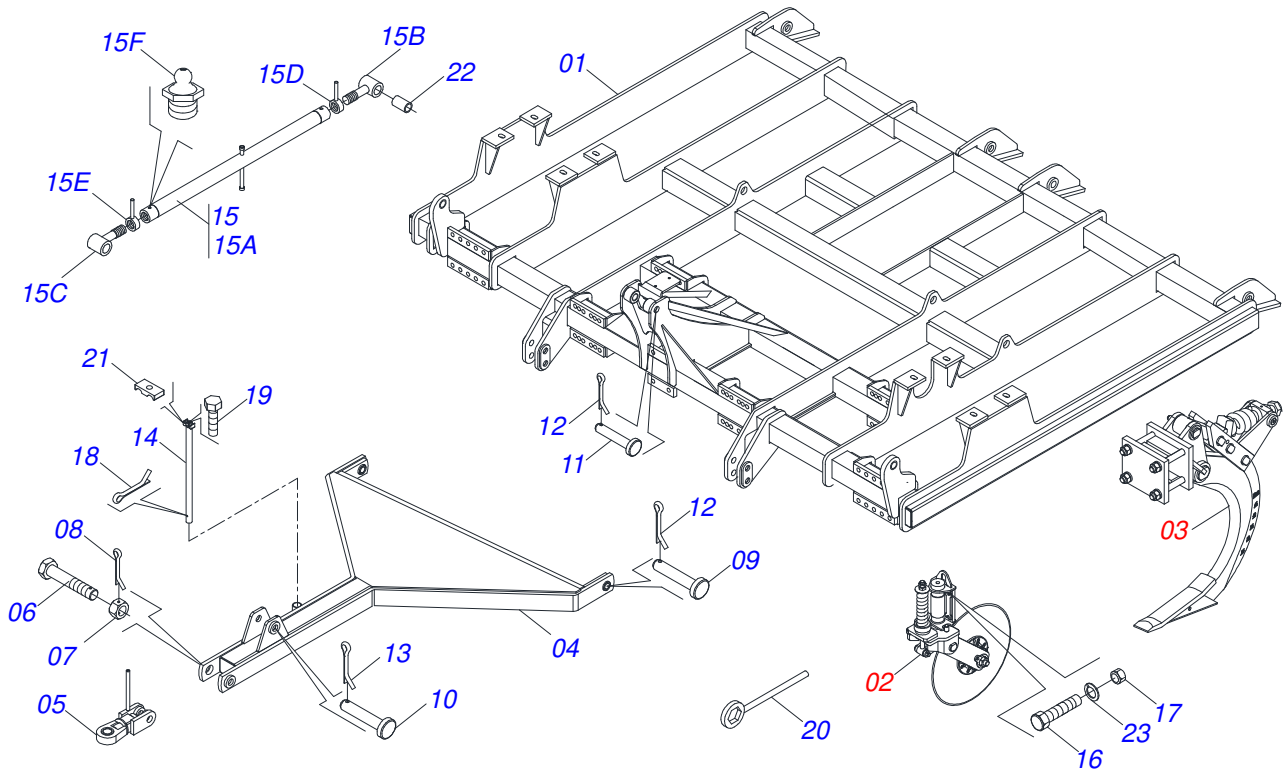
Civemasa reserves the right to improve and / or modify the technical features of its products, without obligation to do the same with those products already sold and without prior knowledge of the dealer or the consumer.

INDEX

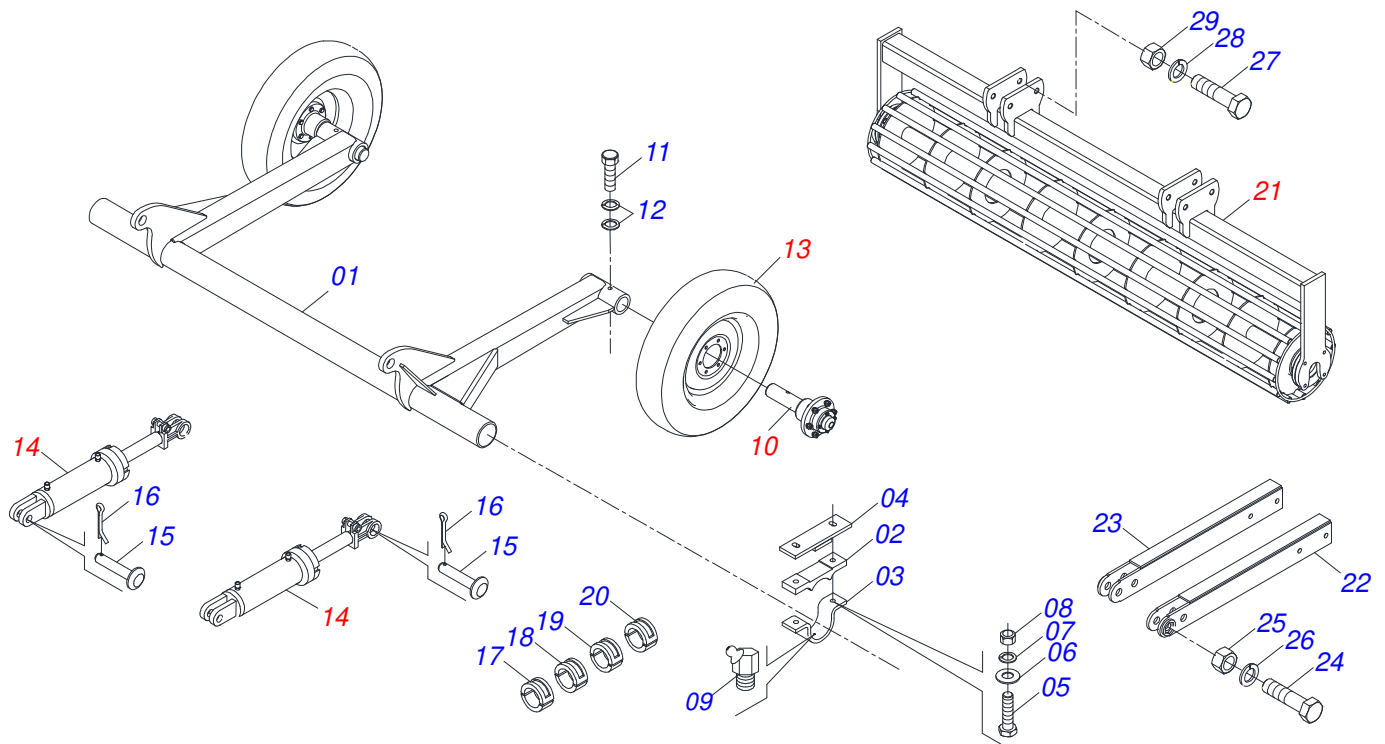
0909094426	FRAME ASSY	1
0909090774	FRAME ASSY	2
0909090775	FRAME STAC-P 5/7 HASTES	3
0909090776	HYDRAULIC CIRCUIT	4
0501048038	HYDRAULIC CYLINDER	5
0501054501	WHEEL HUB	6
0503060091	L29.5"X0.63"-10L WHEEL AND	7
0501052671	24" BLADE DISC ASSY	8
0501054204	ROD SUBSOILER	9
0521051740	SUBSOILER ASSY	10
0501059641	ARM ROLLER ASSY	11
0511050526	ROLL WILH FULL SUPPORTE	12
0511059186	ASSY HEADER	13



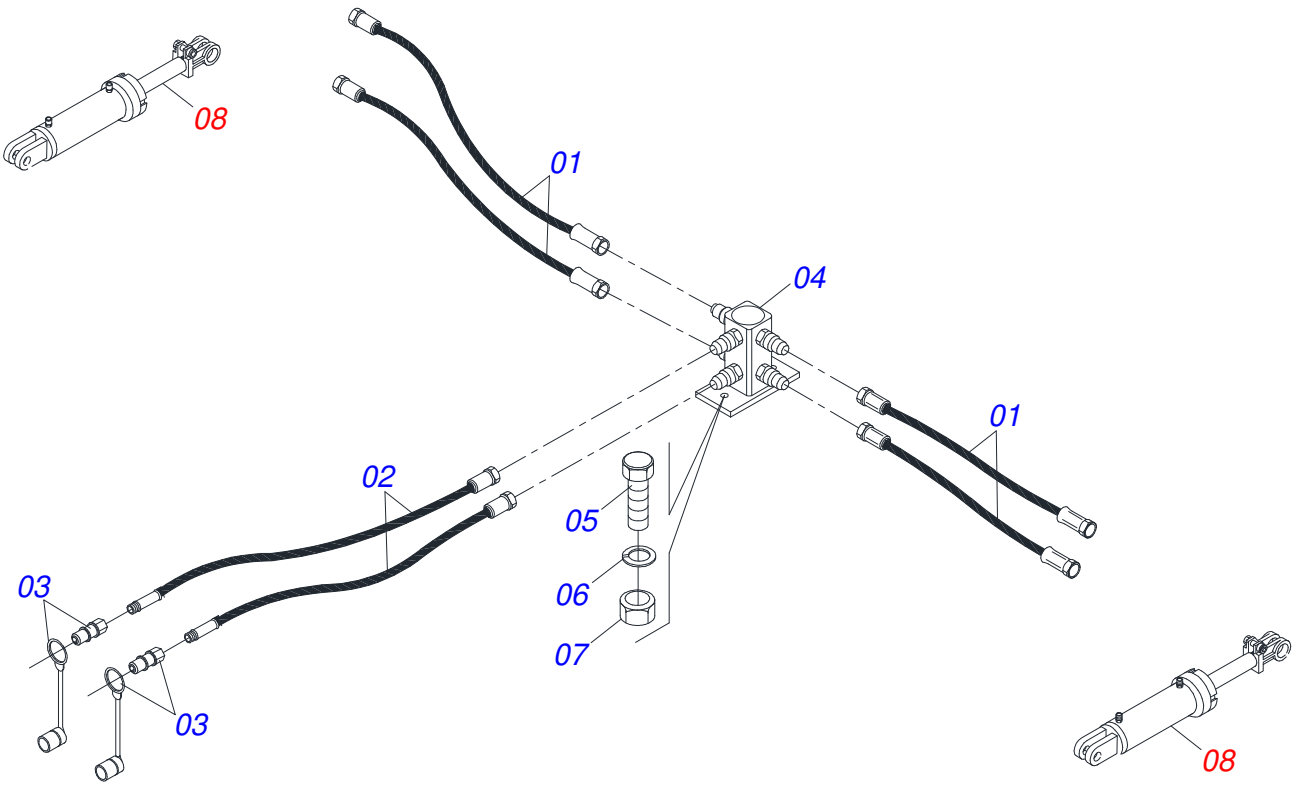
Item	Code	Description	See page	QT
01	0511064440	FRAME		01
02	0501052671	24" BLADE DISC ASSY	8	05
03	0501054204	ROD SUBSOILER	9	05
03.	0521051740	SUBSOILER ASSY	10	05
04	0511064443	HEADER S/ HITCH		01
05	0511063346	HOOK HITCH		01
06	0521013837	BOLT		01
07	0521013817	9005A 3724810 HITCH FIX RNUT		01
08	0503010067	3/16" X 2.1/2" COTTER PIN		01
09	0531010842	PIN WITH HEAD PN-600 3094941 ZN		02
10	0521014934	PIN WITH HEAD PN-317 3094016 ZN		01
11	0531019338	PIN WITH HEAD PN-378 3095189 ZN		01
12	0503010038	3/16 X 2 COTTERPIN		03
13	0503010523	1/4" X 2" COTTERPIN		01
14	0511060205	SUPPORT HOSE CNS 20104N		01
15	0501052621	TURNBUKLE ASSY		01
15A	0511060740	TURNBUKLE		01
15B	0511061491	2" SPINDLE RIGTH		01
15C	0511061492	2" SPINDLE LEFT		01
15D	0511061493	R2 UNC RIGHT STAC 5H LOCK NUT		01
15E	0511061494	R2 UNC LEFT LOCK NUT		01
15F	0503010002	1800 GREASE FITTING		01
16	0501010500	3/4"X3"BOLT	20	
17	0503012183	SNC 3/4" ZIN 1K03097 NUT	20	
18	0503012215	5/16" X 2-1/2" COTTERPIN		01
19	0503010237	3/8" X 1" BOLT		01
20	0511062077	WRENCH		01
21	0502010477	HOSE CLAMP		01
22	0531017666	BUSHING		01
23	0503010023	3/4" SPRING WASHER	20	



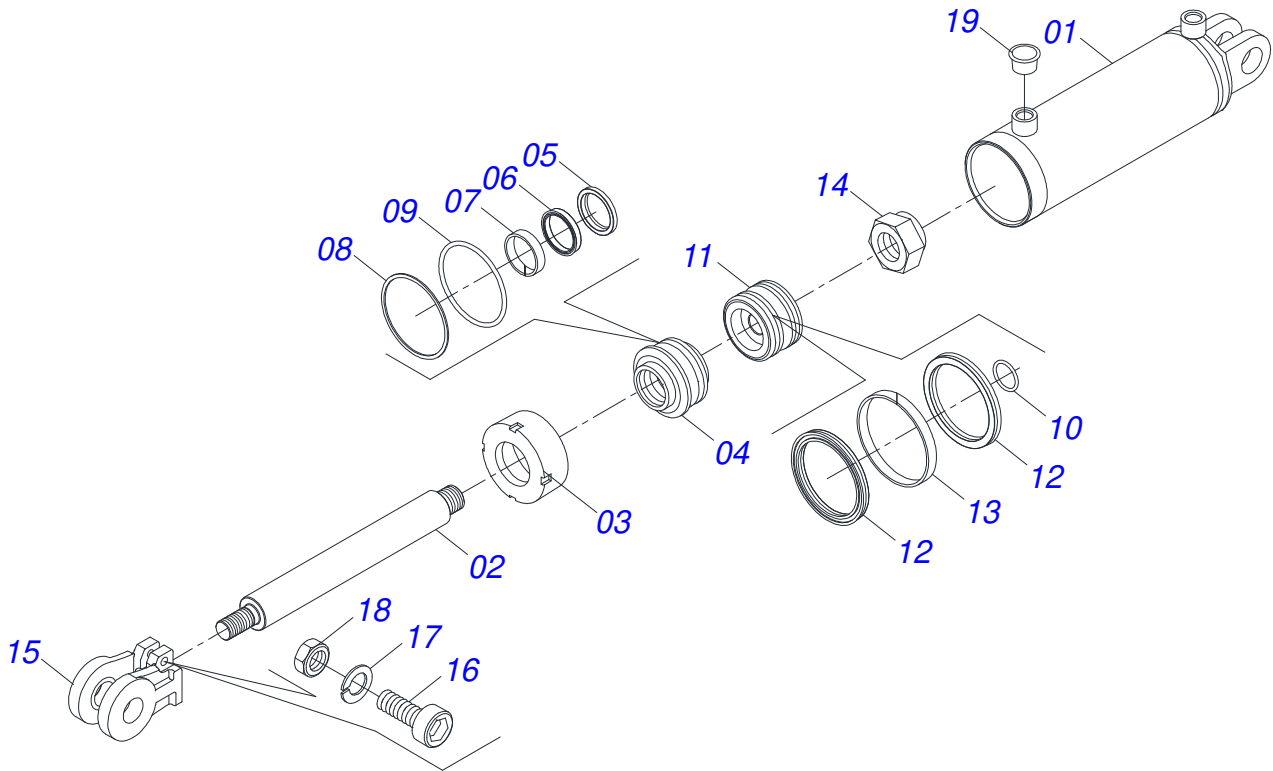
Item	Code	Description	See page	QT
01	0511067866	FRAME		01
02	0501052671	24" BLADE DISC ASSY	8	07
03	0501054204	ROD SUBSOILER	9	07
04	0511064508	DRAWBAR ASSEMBLE		01
05	0511063346	HOOK HITCH		01
06	0521013837	BOLT		01
07	0521013817	9005A 3724810 HITCH FIX RNUT		01
08	0503010067	3/16" X 2.1/2" COTTER PIN		01
09	0531010842	PIN WITH HEAD PN-600 3094941 ZN		02
10	0521014934	PIN WITH HEAD PN-317 3094016 ZN		01
11	0531019338	PIN WITH HEAD PN-378 3095189 ZN		01
12	0503010038	3/16 X 2 COTTERPIN		03
13	0503010523	1/4" X 2" COTTERPIN		01
14	0511060205	SUPPORT HOSE CNS 20104N		01
15	0501052621	TURNBUKLE ASSY		01
15A	0511060740	TURNBUCKLE		01
15B	0511061491	2" SPINDLE RIGTH		01
15C	0511061492	2" SPINDLE LEFT		01
15D	0511061493	R2 UNC RIGHT STAC 5H LOCK NUT		01
15E	0511061494	R2 UNC LEFT LOCK NUT		01
15F	0503010002	1800 GREASE FITTING		01
16	0501010500	3/4"X3"BOLT	20	
17	0503012183	SNC 3/4" ZIN 1K03097 NUT	20	
18	0503012215	5/16" X 2-1/2" COTTERPIN		01
19	0503010237	3/8" X 1" BOLT		01
20	0511062077	WRENCH		01
21	0502010477	HOSE CLAMP		01
22	0531017666	BUSHING		01
23	0503010023	3/4" SPRING WASHER	20	



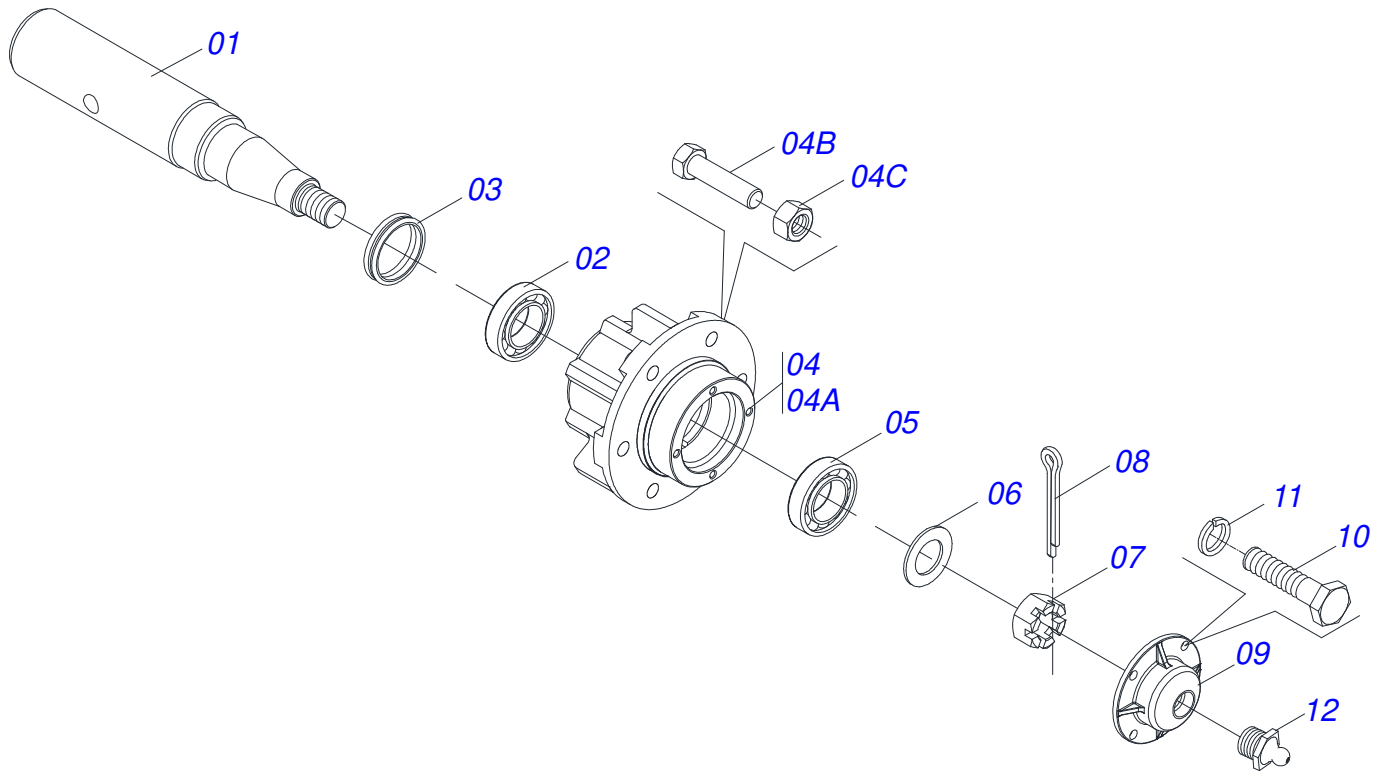
Item	Code	Description	See page	05 07 HASTES
01	0511064441	WHEELS AXLE		01 00
01.	0511067867	AXLE WHEEL		00 01
02	0502011159	LOWER HALF PIVOT BEARING		04 04
03	0511016831	UPPER HALF PIVOT BEARING		04 04
04	0511063688	BOOST BEARING		04 04
05	0501010216	3/4" X 4-1/2" BOLT		08 08
06	0501010322	FLAT WASHER		08 08
07	0503010023	3/4" SPRING WASHER		08 08
08	0503012183	SNC 3/4" ZIN 1K03097 NUT		08 08
09	0503010003	1845 GREASE FITTING		08 08
10	0501054501	WHEEL HUB	6	02 02
11	0503010763	5/16" X 2-1/2" BOLT		02 02
12	0503010027	5/8" SPRING WASHER		04 04
13	0503060091	L29.5"X0.63"-10L WHEEL AND	7	02 00
14	0501048038	HYDRAULIC CYLINDER	5	02 02
15	0521012538	1.2" X 3.5" COUPLING SHAFT		04 04
16	0503010523	1/4" X 2" COTTERPIN		04 04
17	0501047895	ROD STOP		06 06
18	0501047885	ROD STOP		02 02
19	0501047886	ROD STOP		02 02
20	0501047887	ROD STOP		02 02
21	0501059641	ARM ROLLER ASSY	11	01 00
22	0521061461	ROLLER RIGHT ARM		01 01
23	0521061455	LEFT ROLLER ARM		01 01
24	0503012529	1-1/4" X 4-3/4" BOLT		02 02
25	0503012181	1.1/4" NUT		02 02
26	0503010070	SPRING WASHER		02 02
27	0503013185	3/4" X 5-1/2" BOLT		04 04
28	0503010023	3/4" SPRING WASHER		04 04
29	0503010014	3/4" NUT		04 04



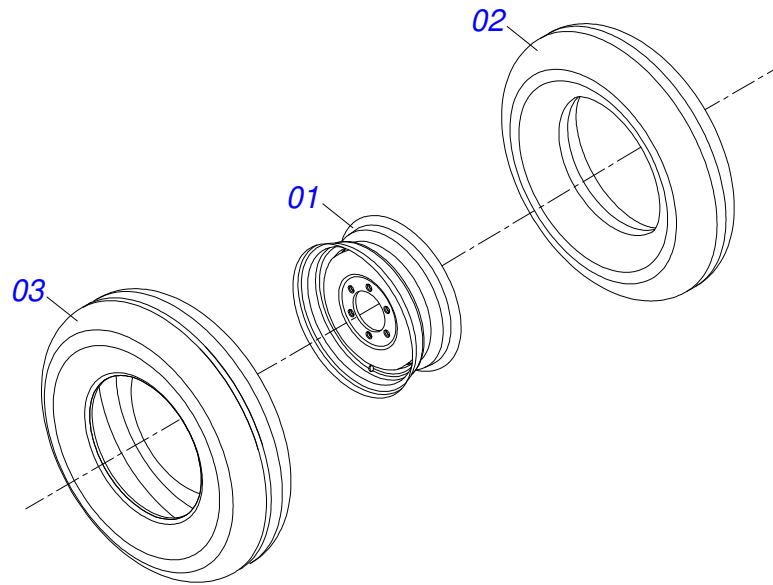
Item	Code	Description	See page	05	07	HASTES
01	0501080439	3/8" X 43" TR-TR HOSE ASSY		04	00	
01.	0501080506	3/8" X 75" TR-TR HOSE ASSY		00	04	
02	0501080384	TR-TM HOSE ASSY		02	02	
03	0503011627	MALE QUICK COUPLER AGR 1/2 NPT		02	02	
04	0511063526	HYDRAULIC CONNECTION		01	01	
05	0503010751	C3/8" X 1.1/4" HEX BOLT G.5		02	02	
06	0503010025	3/8" SPRING WASHER		02	02	
07	0503010026	3/8" NUT		02	02	
08	0501048038	HYDRAULIC CYLINDER	5	02	02	



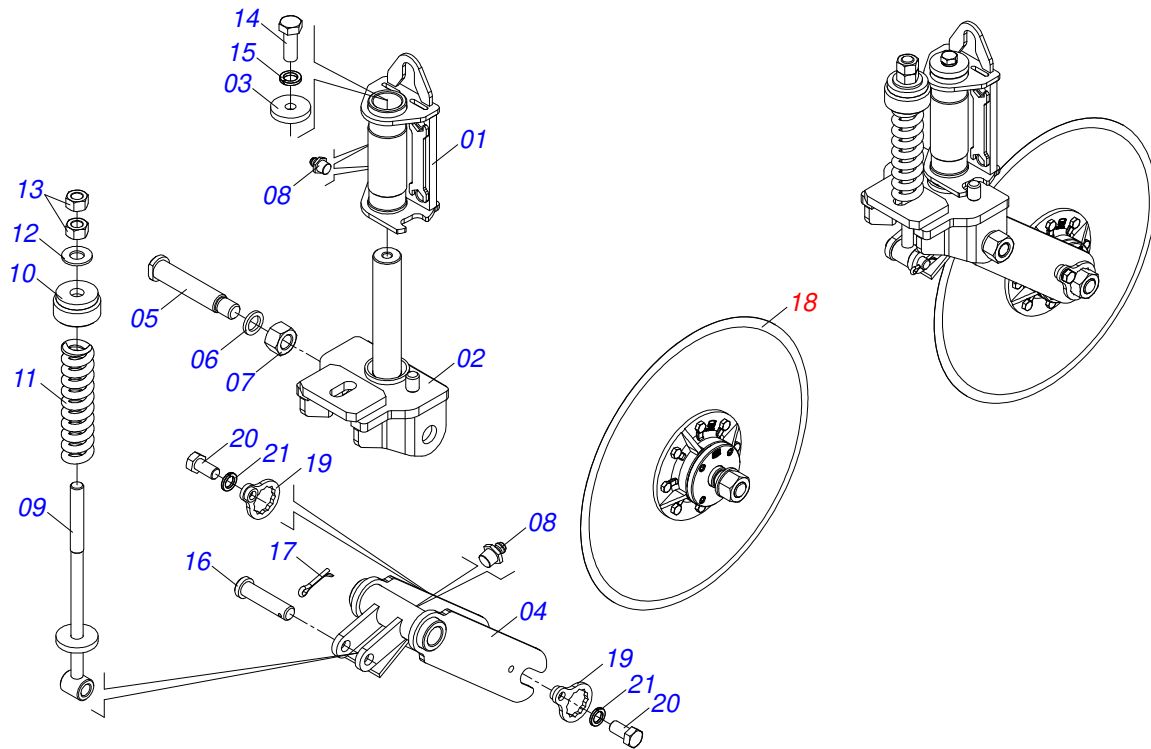
Item	Code	Description	See page	QT
01	0501069372	114,3 X 440 CYLINDER CASE		01
02	0521011666	50,8 X 443 TURNBUCLE		01
03	0502011222	0.56" END CAP		01
04	0502011220	2" X 4.5" RING SUPPORT		01
05	0503010039	D-2000 SCRAPER RING		01
06	0503010991	1870-2000-375-B GASKET		01
07	0503010952	W2-2250-500 RING		01
08	0503011893	BACK-UP RING, 8-346		01
09	0503011892	O' RING, 2-346 N 3006-9B		01
10	0503010345	2-218 N 3006-9B O'RING		01
11	0502011221	2.0" X 4.5" PISTON		01
12	0503011890	3750-3750 GASKET		02
13	0503011891	W2-4500-500 RING G.E		01
14	0503010817	1.1/4" SELF LOCKING NUT		01
15	0502040747	32.54 CLEVIS CLAMP		01
16	0503011094	3/8" X 2" BOLT		01
17	0503010025	3/8" SPRING WASHER		01
18	0503010026	3/8" NUT		01
19	0503030385	CYLINDER PLUG N-002		02



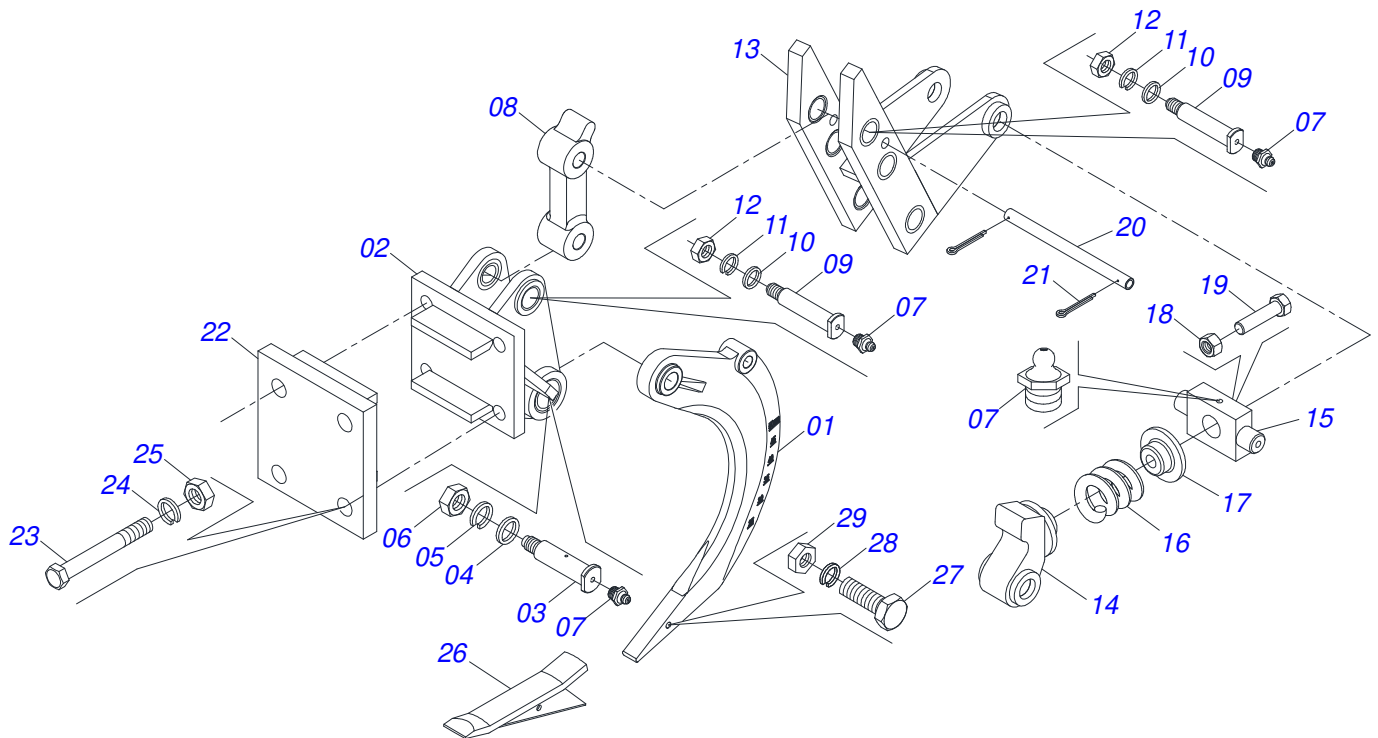
Item	Code	Description	See page	QT
01	0531018161	AXLE		01
02	0503010006	32210 ROLLER BEARING		01
03	0503012928	SEAL		01
04	0501110728	WHEEL HUB		01
04A	0502011121	CARRYING WHEEL HUB		01
04B	0501010127	9/16" X 1-7/8" LUG BOLT		06
04C	0503010035	9/16" CONIC NUT		06
05	0503010037	30207 ROLLER BEARING		01
06	0501016545	FLAT WASHER		01
07	0503030009	1" CASTLE NUT		01
08	0503010018	5/32 X 1-1/2 COTTERPIN		01
09	0502020591	PROTECCION COVER		01
10	0503010358	5/16" X 5/8" BOLT		04
11	0503011444	SPRING WASHER		04
12	0503010002	1800 GREASE FITTING		01



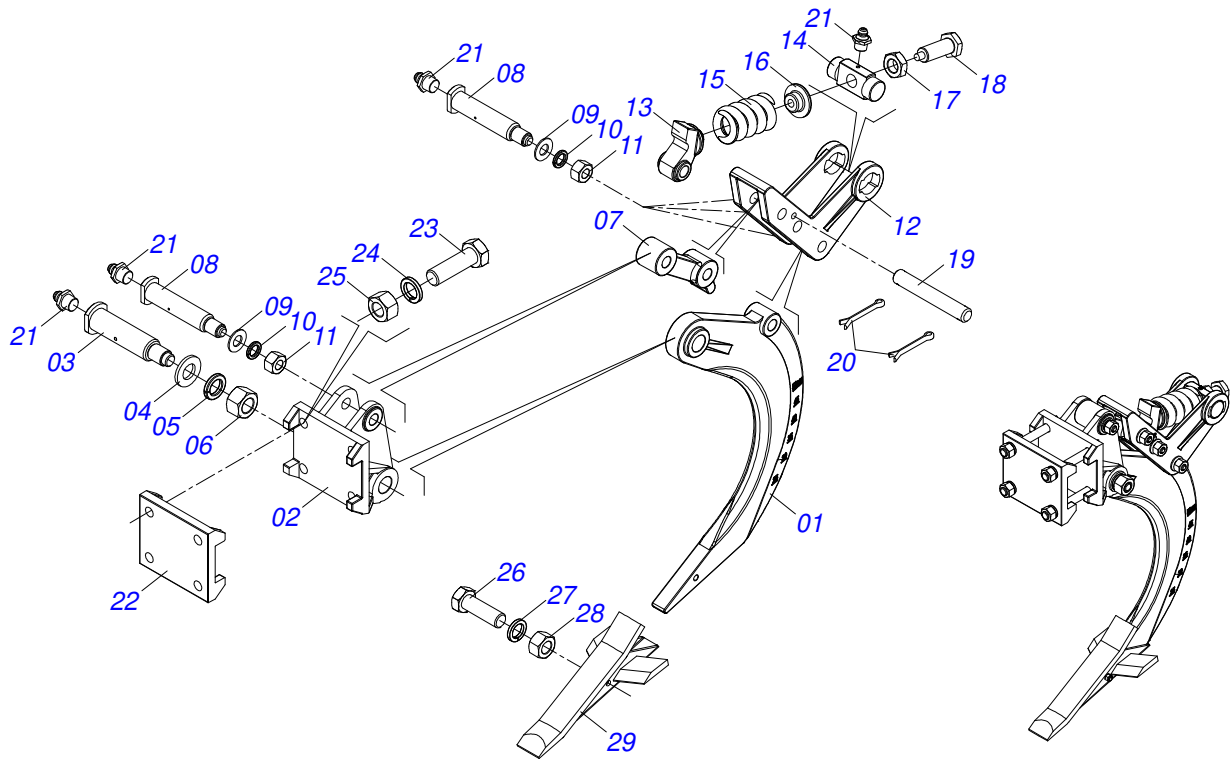
Item	Code	Description	See page	QT
01	0503010893	WHEEL		01
02	0503010033	7.50 X 16 INNER TIRE		01
03	0503010120	CANVAS TIRE		01



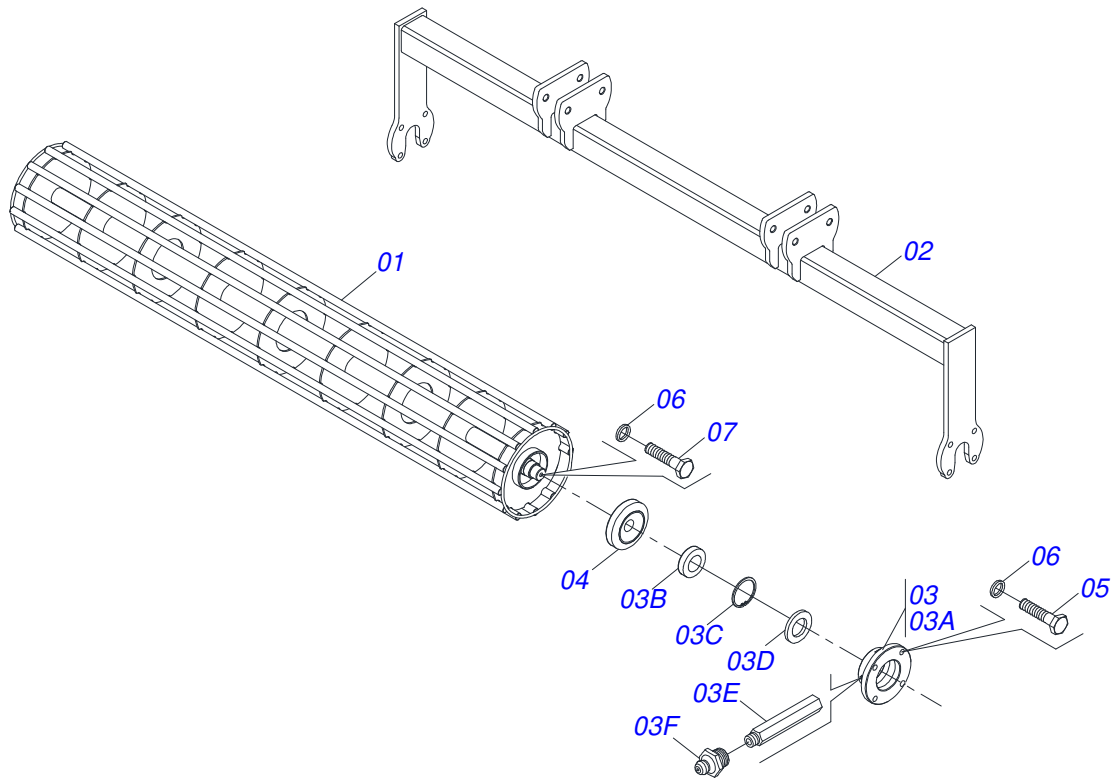
Item	Code	Description	See page	QT
01	0501069386	BLADE DISC SUPPORT	01	01
02	0511061619	SWIVEL BASE	01	01
03	0521012660	WASHER	01	01
04	0511061618	BLADE DISC FORK	01	01
05	0521012662	ROTATIVE AXLE FIXER FORK BASE	01	01
06	0521012664	FLAT WASHER	01	01
07	0501010087	1.1/4" NUT	01	01
08	0503010002	1800 GREASE FITTING	03	03
09	0511061612	ROD SPRING	01	01
10	0511062801	SPRING SLEEVE FIXER	01	01
11	0503031593	SPRING	01	01
12	0501010065	1" SPRING WASHER	01	01
13	0503012182	1" NUT	02	02
14	0501010098	3/4" UNC BOLT	01	01
15	0503011442	3/4" SPRING WASHER	01	01
16	0521012659	SPRING ROD AXLE FIXER	01	01
17	0503010571	1/4" X 1.1/2 COTTERPIN	01	01
18	0501052013	24" BLADE DISC WITH HOUSING	01	01
19	0501069637	AXLE NUT LOCK	02	02
20	0503010962	5/8" X 1-1/4" BOLT	02	02
21	0503011445	SPRING WASHER	02	02



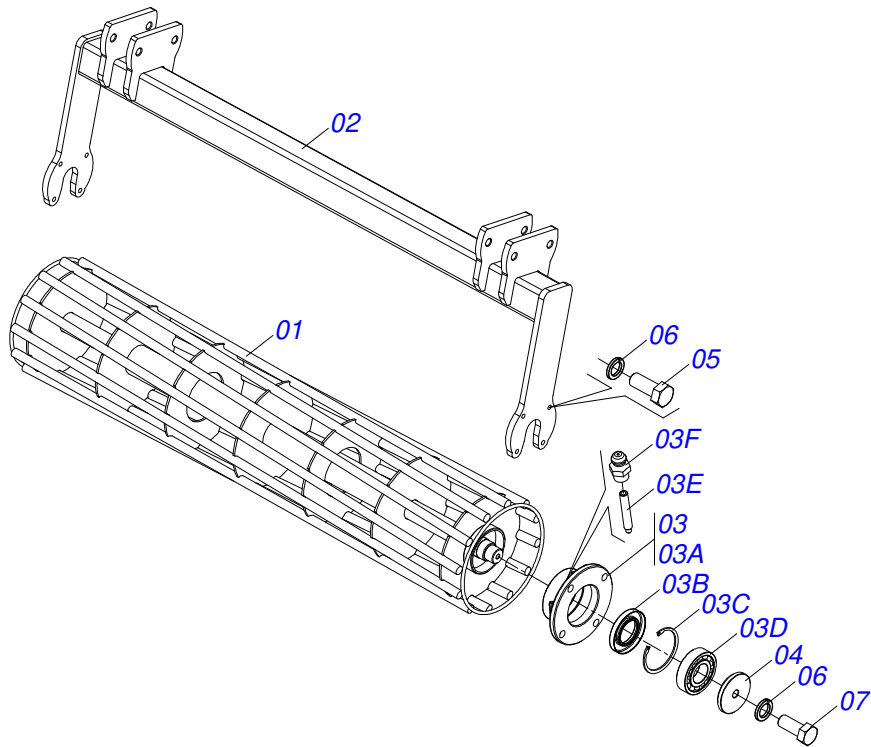
Item	Code	Description	See page	QT
01	0502012546	SPINDLE		01
02	0502012549	ROD SUPPORT		01
03	0521017254	PIN ARTICULATION		01
04	0501010086	FLAT WASHER		01
05	0503011439	1.1/4" SPRING WASHER		01
06	0503010352	1.1/4" UNF NUT		01
07	0503010002	1800 GREASE FITTING		06
08	0502040792	UPPER ARM DISARM		01
09	0521017255	DISARMENT PIN		04
10	0501010076	FLAT WASHER		04
11	0503011447	SPRING WASHER		04
12	0503010417	7/8" NUT		04
13	0502012550	LOWER ARM DISARM		01
14	0502040791	HITCH DISARM		01
15	0502012547	SUPPORT BOLT		01
16	0503031882	SPRING		01
17	0521017340	SPRING GUIDE		01
18	0503012670	LOCKNUT 1-1/2"		01
19	0521017339	REGULATION BOLT		01
20	0521017338	PIN LOCK CACC 32600 4081632 ZN		01
21	0503010362	1/8" X 1.1/4" COTTERPIN		02
22	0502012548	ROD HOLDER ASSEMBLY		01
23	0503013137	1" X 8" BOLT		04
24	0503011438	SPRING WASHER		04
25	0503012182	1" NUT		04
26	0521063051	BICO ROD ASSY		01
27	0503010479	BOLT		01
28	0503010019	1/2" SPRING WASHER		01
29	0503010060	1/2" NUT		01



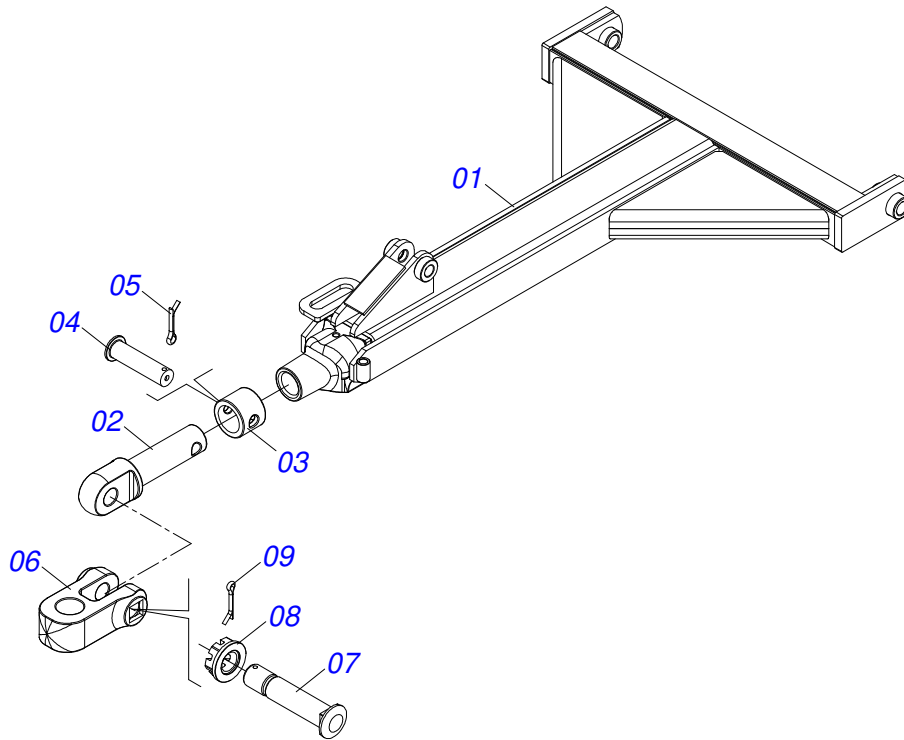
Item	Code	Description	See page	QT
001	0502012546	SPINDLE		01
002	0502012549	ROD SUPPORT		01
003	0521017254	PIN ARTICULATION		01
004	0501010086	FLAT WASHER		01
005	0503011439	1.1/4" SPRING WASHER		01
006	0503010352	1.1/4" UNF NUT		01
007	0502040792	UPPER ARM DISARM		01
008	0521017255	DISARMMENT PIN		04
009	0501010076	FLAT WASHER		04
010	0503011447	SPRING WASHER		04
011	0503010417	7/8" NUT		04
012	0502012550	LOWER ARM DISARM		01
013	0502040791	HITCH DISARM		01
014	0502012547	SUPPORT BOLT		01
015	0503031882	SPRING		01
016	0521017340	SPRING GUIDE		01
017	0503012670	LOCKNUT 1-1/2"		01
018	0521017339	REGULATION BOLT		01
019	0521017338	PIN LOCK CACC 32600 4081632 ZN		01
020	0503010362	1/8" X 1.1/4" COTTERPIN		02
021	0503010002	1800 GREASE FITTING		06
022	1902012548	ASSY FIXER STEM		01
023	0503013137	1" X 8" BOLT		04
024	0503011438	SPRING WASHER		04
025	0503012182	1" NUT		04
026	0503010479	BOLT		01
027	0503011440	SPRING WASHER		01
028	0503010060	1/2" NUT		01
029	0521068065	POINT SUBSOILER		01



Item	Code	Description	See page	QT
01	0511062316	ARM ROLLER		01
02	0511062317	DESTORROADOR ARM		01
03	0501052622	BOX BREAK ROLLER		02
03A	0521016749	BOX BREAK ROLLER		02
03B	0503012107	BALL BEARING		02
03C	0503011420	502100 CLAMPING RING (FOR AXLE)		02
03D	0503011418	01669-BR SEAL		02
03E	0503031394	EXTENSION GREASE FITTING		02
03F	0503010691	1/4" GREASE FITTING		02
04	0521016751	ROLLFIXER CUBE		02
05	0503011267	BOLT 5/8 UNC X 1.1/2 C S G.5 ZN		10
06	0503010027	5/8" SPRING WASHER		10



Item	Code	Description	See page	QT
01	0511062332	BREAK ROLLER		01
02	0511064511	BREAK ROLLER FORK		01
03	0501052622	BOX BREAK ROLLER		02
03A	0521016749	BOX BREAK ROLLER		01
03B	0503011418	01669-BR SEAL		01
03C	0503011420	502100 CLAMPING RING (FOR AXLE)		01
03D	0503012107	BALL BEARING		01
03E	0503031394	EXTENSION GREASE FITTING		01
03F	0503010691	1/4" GREASE FITTING		01
04	0521016751	ROLLFIXER CUBE		02
05	0503011267	BOLT 5/8 UNC X 1.1/2 C S G.5 ZN		08
06	0503010027	5/8" SPRING WASHER		10
07	0503010962	5/8" X 1-1/4" BOLT		02



Item	Code	Description	See page	QT
01	0511063767	DRAWBAR		01
02	1902040223	PIN HITCH		01
03	1902040327	LOCK SLEEVE		01
04	0511014902	COUPLING SHAFT		01
05	0503010571	1/4" X 1.1/2 COTTERPIN		01
06	1902040733	U COUPLING HOOK		01
07	0521012545	COUPLING SHAFT		01
08	0501011301	1.1/2 UNC 6FPP 2.5/16 NUT		01
09	0503010010	1/4" X 2.1/2" COTTERPIN		01



civemasa

Technical Publications | Elaboration and Revision
ALESSANDRA PATRICIA KAWAHARA CARRILI

www.civemasa.com.br

