

**DISK HARROWS**

**SNC-P - 64/72/84/96/108D**  
**SNC-P - 64/72/84/96/108D**

**Code:** 0501090962  
**Series:** S-1014  
**Revision:** 00  
**Revision Date:** JUNE/2024

**PARTS**  
**CATALOGUE**

***CIVEMASA***



# PRODUCTS

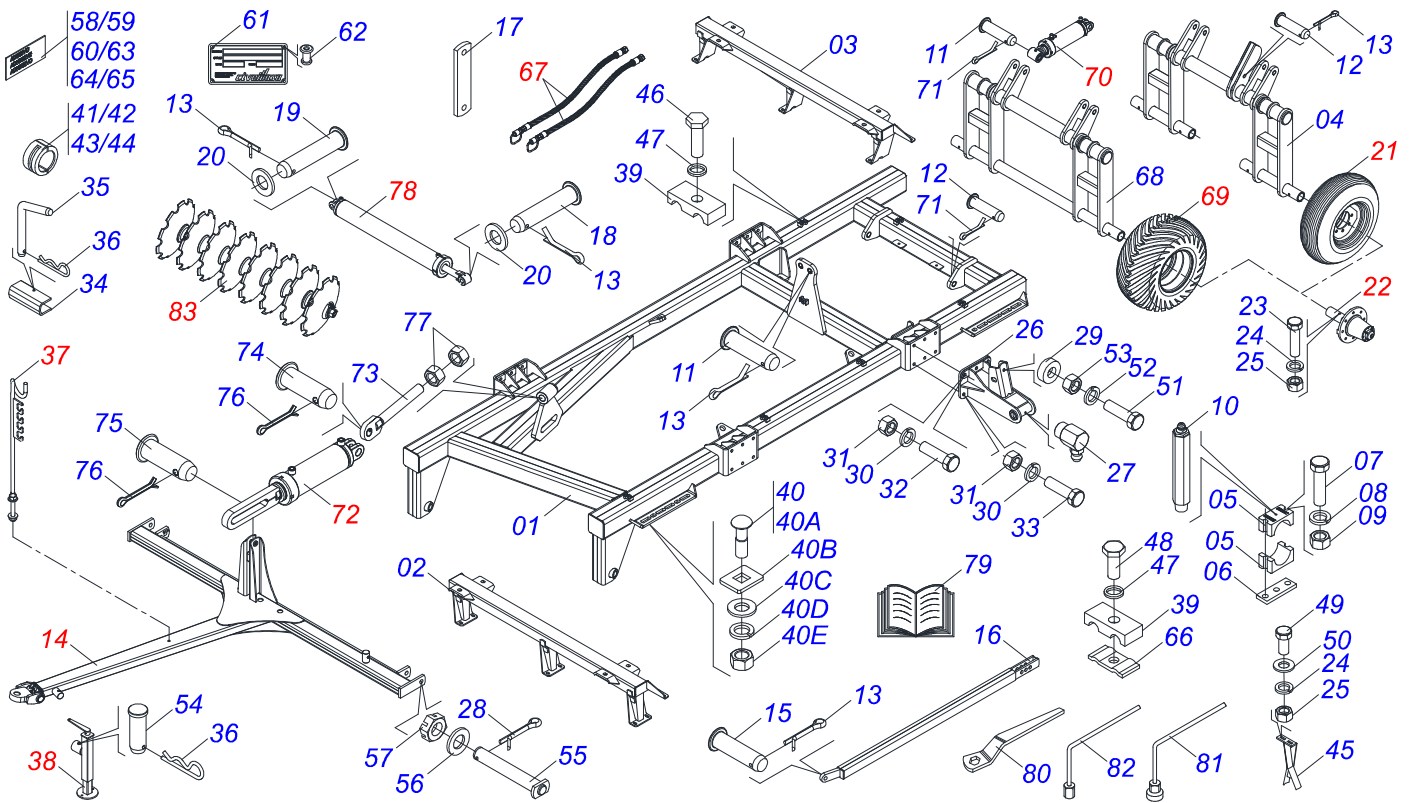
Code	Working Width	Description
0120090043		SNC-P 108X22X4,5 DR 400/60 S-1014
0120090041		SNC-P 108X22X4,5L/R 400/60 S-1014
0120090053		SNC-P 108X24X6 DR DM C/P E 1.1/2 P400/60 ESP S1014
0120090037		SNC-P 64X22X4,5 L/R P11L15 S-1014
0120090045		SNC-P 72X22X4,5 DR P11L15 S-1014
0120090038		SNC-P 72X22X4,5L/R P11L15 S-1014
0120090058		SNC-P 84 X 22 X 4,5 MT DM E 1.1/2 PN400/60 S-1014
0120090044		SNC-P 84X22X4,5 D/R P11L15 S-1014
0120090039		SNC-P 84X22X4,5 L/R P11L15 S-1014
0120090046		SNC-P 96X224,5 DR 400/60 S-1014
0120090040		SNC-P 96X22X4,5 L/R 400/60 S-1014

## ATTENTION: IMPORTANT

CIVEMASA reserves the right to improve and/or modify the technical features of its products, without obligation to do the same with those products already sold and without prior knowledge of the dealer or the customer. The photos are only illustrative.

# INDEX

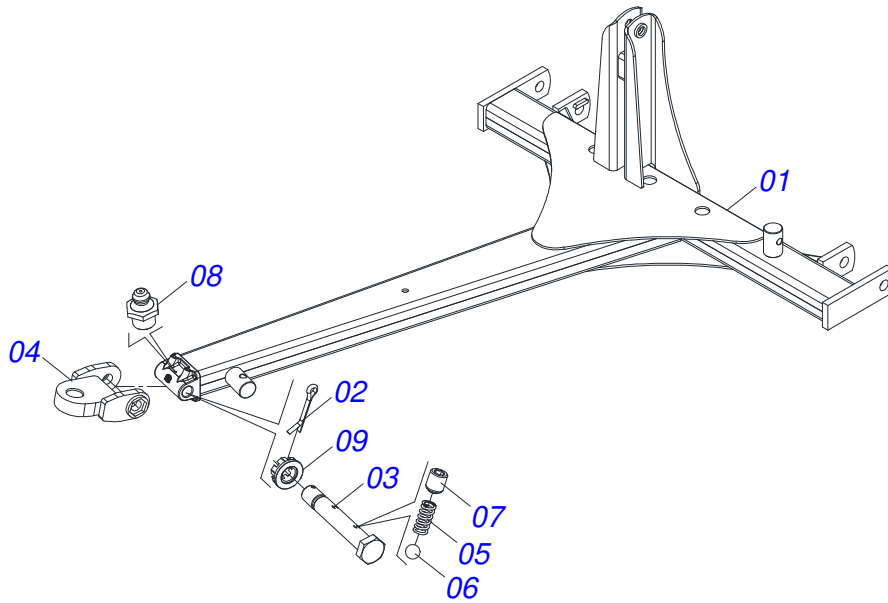
0909094406	FRAME CENTER - 64/72/84D	.....	1
0521045574	DRAWBAR ASSY	.....	2
0503060414	WHEEL AND TIRE	.....	3
0501051885	CARRYING-WHEELS	.....	4
0501040257	3/4" X 38" HOSE SUPPORT ASSY	.....	5
0511048088	DRAWBAR JACK	.....	6
0909096142	HYDRAULIC CIRCUIT - 64/72/84D	.....	7
0521045633	HYDRAULIC CYLINDER 53,98 X 101,60 X 515 X 205	.....	8
0521044444	HYDRAULIC CILINDER	.....	9
0521040738	HYDRAULIC CYLINDER 50,8 X 127 X 965 X 623	.....	10
0511045694	44,45 X 85,7 X 515 X 203 HYDRAULIC CYLINDER	.....	11
0501053834	MALE QUICK COUPLER	.....	12
0909096138	DISC GANG ASSY	.....	13
0511040472	AGRICULTURAL BEARING	.....	14
0909094408	FRAME SIDE RIGHT - 64/72/84D	.....	15
0909094409	FRAME SIDE LEFT - 64/72/84D	.....	16
0503060181	WHEEL AND TIRE	.....	17
0511045580	CARRYING WHEEL HUB ASSY	.....	18
0909094407	FRAME CENTER - 96/108D	.....	19
0521044459	DRAWBAR ASSY	.....	20
0503060102	WHEEL AND TIRE 400/60 - 14L RIGHT	.....	21
0909094410	FRAME RIGHT SIDE - 96/108D	.....	22
0909094411	FRAME SIDE LEFT - 96/108D	.....	23
0909096143	HYDRAULIC CIRCUIT - 96/108D	.....	24
0511045827	HYDRAULIC CYLINDER 2" X 5" X 1292 X 933	.....	25



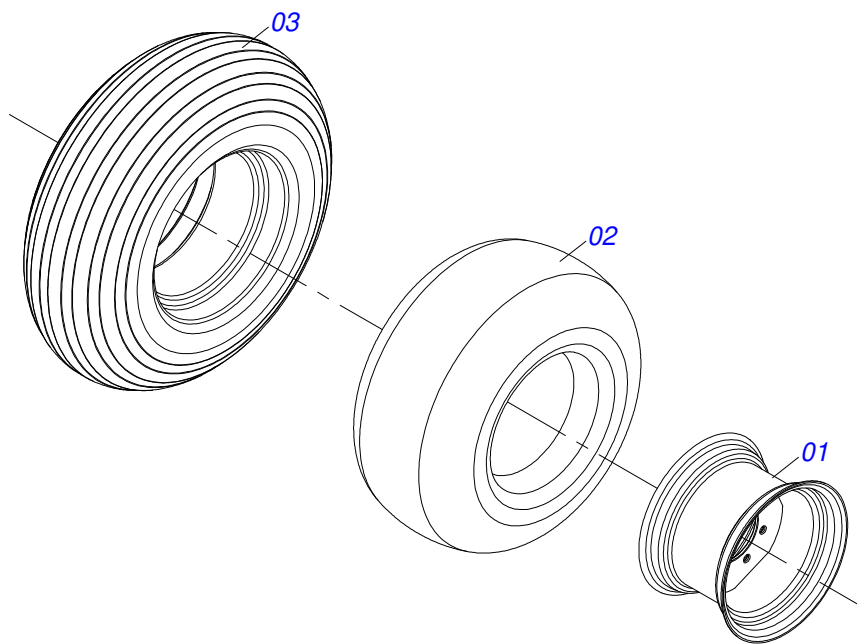
Item	Code	Description	See page	64	72	84
01	0521065513	FRAME CENTER		01	01	01
02	0521065493	CENTRAL FRONT CHASSIS - 64D		01	00	00
02.	0521065524	CENTRAL FRONT CHASSIS - 72D		00	01	00
02..	0521065543	CENTRAL FRONT CHASSIS - 84D		00	00	01
03	0521065499	REAR FRAME CENTRAL - 64D		01	00	00
03.	0521065526	REAR FRAME CENTRAL - 72D		00	01	00
03..	0521065537	REAR FRAME CENTRAL - 84D		00	00	01
04	0521065485	SQUARE WHEELS CENTRAL		01	01	01
05	0502010673	BEARING SEMI		04	04	04
06	0501015593	SUPPORT PLATE		02	02	02
07	0501010064	BOLT 1" UNC X 9 CS G.5 ZN		04	04	04
08	0503010012	1" SPRING WASHER		04	04	04
09	0501010059	1.5/8 NUT		04	04	04
10	0503010829	GREASE FITTING		02	02	02
11	0521012538	1.2" X 3.5" COUPLING SHAFT		02	02	02
12	0521010547	1.2" X 6.5" COUPLING SHAFT		02	02	02
13	0503010010	1/4" X 2.1/2" SPLIT PIN		10	10	10
14	0521045574	DRAWBAR ASSY	2	01	01	01
15	0521810780	JUNCTION AXIS 31.75 X 115		01	01	01
16	0521063031	BAR STABILIZER		01	01	01
17	0571010547	PLATE FIXER BAR STABILIZER		01	01	01
18	0521012538	1.2" X 3.5" COUPLING SHAFT		01	01	01
19	0511014394	1.25" X 4.13" COUPLING SHAFT		02	02	02
20	0501017779	FLAT WASHER 32 X 60 X 4,75		02	02	02
21	0503060414	WHEEL AND TIRE	3	04	04	04
21.	0503060181	WHEEL AND TIRE	17	02	02	02
22	0501051885	CARRYING-WHEELS	4	04	04	04
23	0503010706	BOLT 1/2 UNC X 4.1/2 C S G.5 ZN		04	04	04
24	0503010019	1/2" SPRING WASHER		40	40	40
25	0503010060	1/2 UNC G.5 ZN HEX NUT		40	40	40
26	0521063017	ARTICULATION FRAME SIDE		04	04	04
27	0503010004	1890 GREASE FITTING		04	04	04

Item	Code	Description	See page	64	72	84
28	0503010010	1/4" X 2.1/2" SPLIT PIN		02	02	02
29	0521011481	FRAME BATTERY		04	04	04
30	0503010023	3/4" SPRING WASHER		24	24	24
31	0503010014	3/4" ZN G.5 (HEAVY) UNC HEX NUT		26	26	26
32	0501010500	3/4" X 3" BOLT		12	12	12
33	0501010098	BOLT 3/4" UNC X 2 C S G.5 ZN		12	12	12
34	0551019515	LATCH SHIPPING		02	02	02
34.	0551010332	TRANSPORT LOCK		01	01	01
35	0541016844	FIXER LOCK		02	02	02
36	0503030285	HITCH PIN CLIP		03	03	03
37	0501040257	3/4" X 38" HOSE SUPPORT ASSY	5	01	01	01
38	0511048088	DRAWBAR JACK	6	01	01	01
39	0502012702	BODY SUPPORT CLAMP		14	14	14
40	0501040877	C1" X 3-1/4" BOLT ASSY		08	08	08
40A	0501014309	C1" X 3-1/4" BOLT		01	01	01
40B	0501010951	1" SQUARE WASHER		01	01	01
40C	0501010065	1" SPRING WASHER		01	01	01
40D	0503011438	SPRING WASHER		01	01	01
40E	0501010059	1.5/8 NUT		01	01	01
41	0501047895	25 ROD STOP		04	04	04
42	0501047885	30 ROD STOP		04	04	04
43	0501047886	35 ROD STOP		04	04	04
44	0501047887	40 ROD STOP		04	04	04
45	0511060204	CLEANER		44	52	64
46	0503011135	BOLT 7/16" UNC X 1.1/2" C S G.5 ZN		04	04	04
47	0503010180	7/16" SPRING WASHER		07	07	07
48	0503011103	BOLT 7/16" UNC X 2.1/2" C S G.5 ZN		03	03	03
49	0503010920	1/2 UNC X 1.1/2 C S G.5 ZN BOLT		88	99	99
50	0501010937	13,50 X 28 X 3,00 FLAT WASHER		88	99	99
51	0501010100	BOLT 5/8" UNC X 2 CS G.5 ZN		04	04	04
52	0503010027	5/8 SPRING WASHER		04	04	04
53	0503010013	5/8 UNC G.5 ZN HEX NUT		04	04	04
54	0561014251	COUPLING SHAFT		01	01	01
55	0521062959	38,1 X 265 AXLE		02	02	02
56	0501010237	FLAT WASHER		02	02	02
57	0501011301	1.1/2" UNC 6FPP 2.5/16" NUT		02	02	02
58	0503031428	ATTENTION READ MANUAL DECAL		01	01	01
59	0503033038	DANGER DECAL		04	04	04
60	0503033647	APPROVED DECAL		01	01	01
61	0503034004	ALUMINUM IDENTIFICATION DECAL		01	01	01
62	0503010001	RIVET 3,2 X 5,5		04	04	04
63	0503034238	BADGE		01	01	01
64	0503033241	CIVEMASA 100 X 400 BADGE		02	02	02
65	0503031739	DANGER DECAL		01	01	01
66	0531011180	SUPPORT		03	03	03
67		HYDRAULIC CIRCUIT - 64/72/84D	7			
68	0531066592	CENTRAL FRAME WHEELER TIRE 400/60		00	00	01
69	0503060102	WHEEL AND TIRE 400/60 - 14L RIGHT	21	00	00	02
70	0521045633	HYDRAULIC CYLINDER 53,98 X 101,60 X 515 X 205	8	00	00	02
71	0503010523	1/4 X 2 SPLIT PIN		00	00	02
72	0521044444	HYDRAULIC CILINDER	9	01	01	01
73	0511064433	REGULATOR SPINDLE 1-3/4		01	01	01
74	0521012538	1.2" X 3.5" COUPLING SHAFT		01	01	01
75	0521010780	1.2" X 4.5" COUPLING SHAFT		01	01	01
76	0503010523	1/4 X 2 SPLIT PIN		02	02	02
77	0501810333	1.3/4 NUT		02	02	02
78	0521040738	HYDRAULIC CYLINDER 50,8 X 127 X 965 X 623	10	02	02	02
79	0501039543	INSTRUCTION MANUAL		01	01	01
80	0501011432	1-1/2" AND 1-5/8 GANG BOLT WRENCH		02	02	02
81	0501061045	1" WRENCH CYLINDRICAL		01	01	01
82	0501068273	5/8" WRENCH		01	01	01

<b>Item</b>	<b>Code</b>	<b>Description</b>	<b>See page</b>	<b>64</b>	<b>72</b>	<b>84</b>
83		DISC GANG ASSY	13			

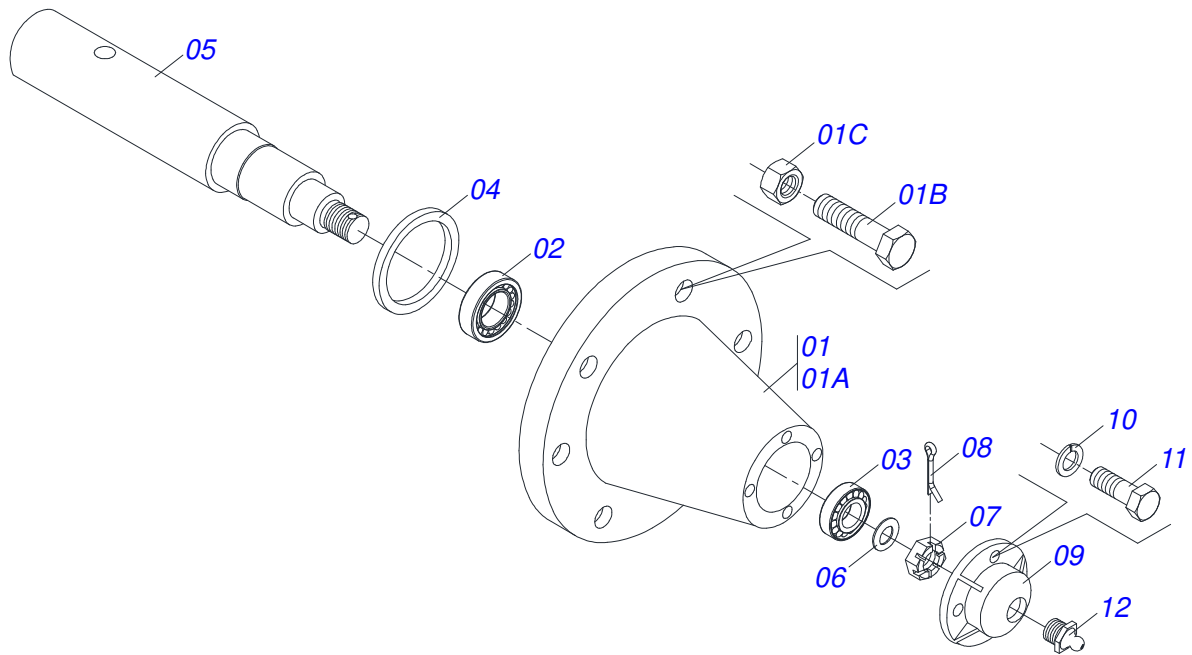


Item	Code	Description	See page	QT
01	0521063033	DRAWBAR		01
02	0503010010	1/4" X 2.1/2" SPLIT PIN		01
03	0571016538	1-1/2" X 245" BOLT		01
04	0511070237	TRACTOR HITCH		01
05	0503033994	COMPRESSION SPRING		02
06	0503012389	1/2 BALL		02
07	0503013333	BOLT		02
08	0503010002	1800 GREASE FITTING		01
09	0501011301	1.1/2" UNC 6FPP 2.5/16" NUT		01

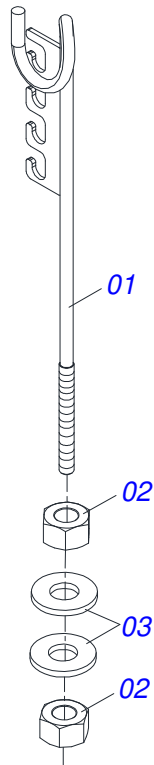


Item	Code	Description	See page	QT
01	0503012108	WHEEL 10 LB X 15 X 8F X 203		01
02	0503010860	AIR CHAMBER 11L 15		01
03	0503011469	RIB TIRE BL - 12L		01

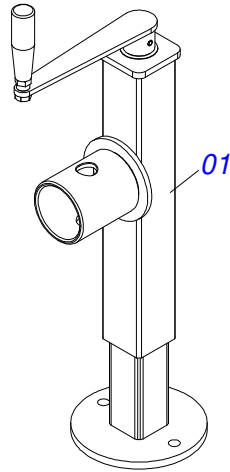




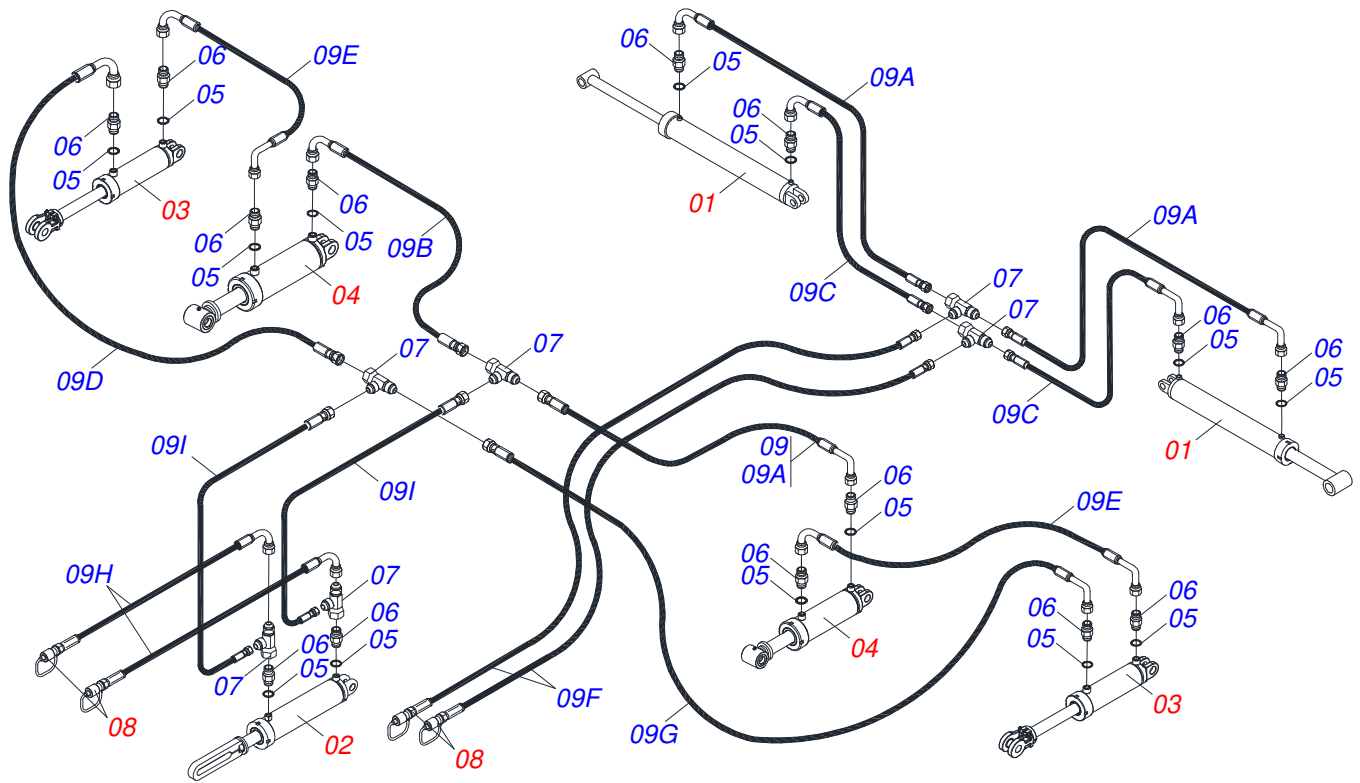
Item	Code	Description	See page	QT
01	0501110738	CARRYING WHEEL HUB 21FT		01
01A	0502012260	TRANSPORT CARRYING-WHEEL HUB		01
01B	0503010064	5/8 UNF CONIC NUT		08
01C	0501010186	WHEEL BOLT 5/8"UNF X 2.1/8CR		08
02	0503011156	2780/2720 IMP ROLLER BEARING		01
03	0503010008	3780/3720 ROLLER BEARING		01
04	0503013314	RETAINER 5166-GB 63,5 X 110 X 13 ARCA		01
05	0511012494	SPINDLE		01
06	0511012492	FLAT WASHER		01
07	0503030009	1" CASTLE NUT		01
08	0503010018	5/32" X 1-1/2" SPLIT PIN		01
09	0502020591	PROTECTION LID		01
10	0503011444	SPRING WASHER 5/16"		04
11	0503010358	5/16" X 5/8" BOLT		04
12	0503010002	1800 GREASE FITTING		01



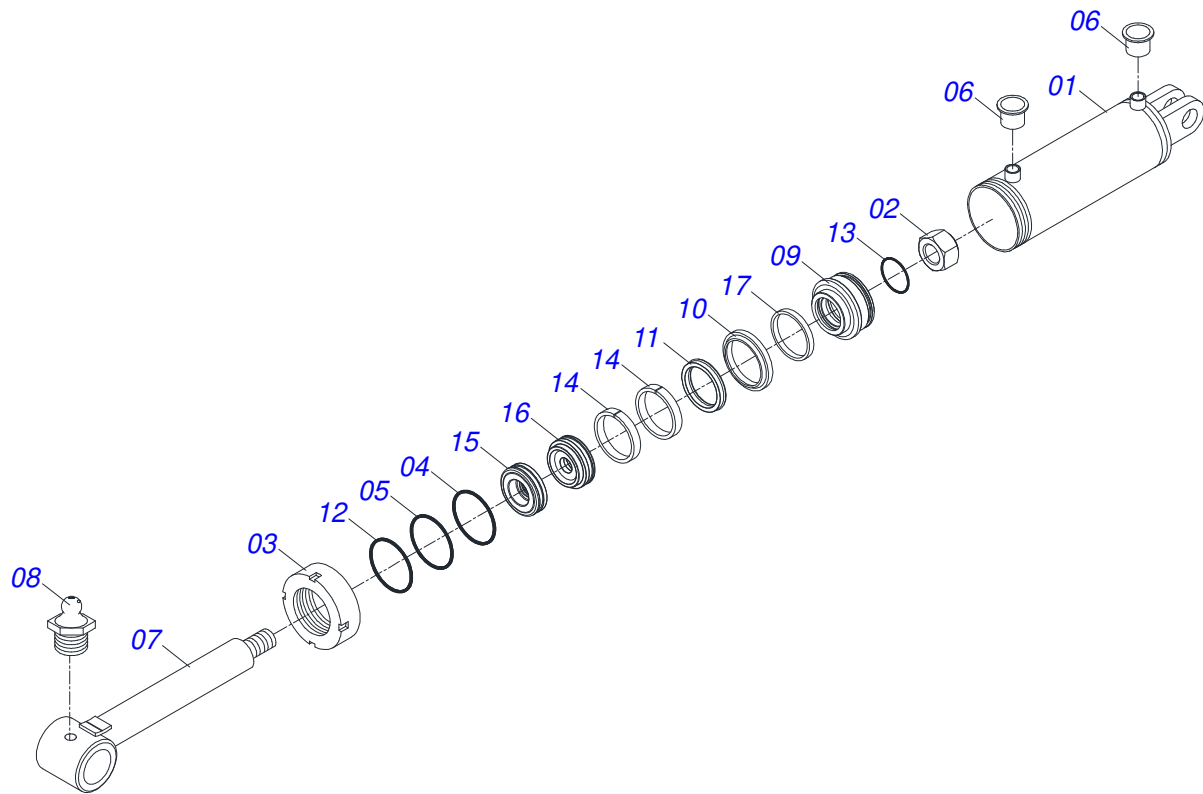
Item	Code	Description	See page	QT
01	0511067334	HOSE SUPPORT		01
02	0503010014	3/4" ZN G.5 (HEAVY) UNC HEX NUT		02
03	0501010322	20,50 X 46 X 4,00 ZN FLAT WASHER		02



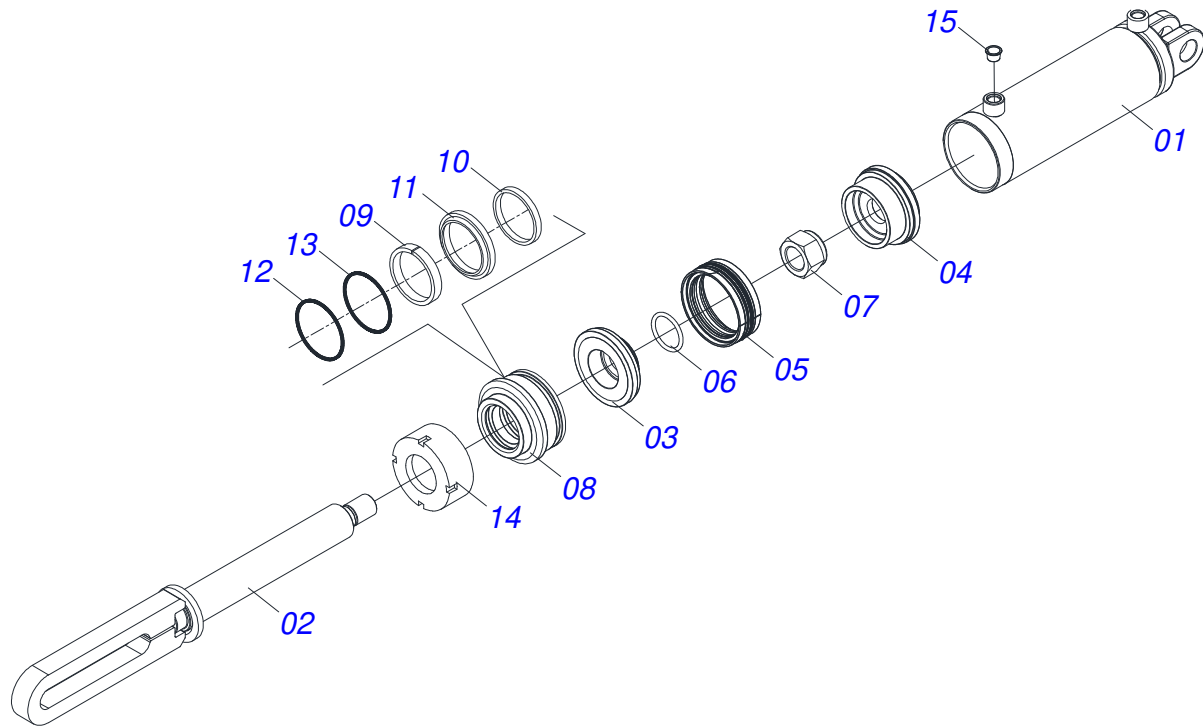
Item	Code	Description	See page	QT
01	0503062227	DRAWBAR JACK		01



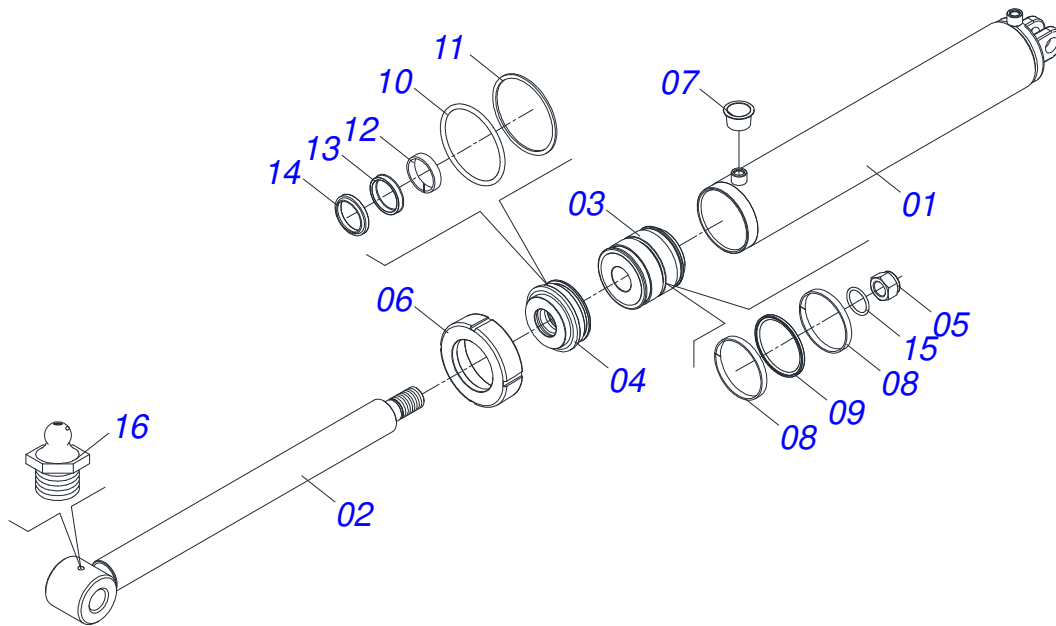
Item	Code	Description	See page	QT
01	0521045633	HYDRAULIC CYLINDER 53,98 X 101,60 X 515 X 205	8	02
02	0521044444	HYDRAULIC CILINDER	9	01
03	0521040738	HYDRAULIC CYLINDER 50,8 X 127 X 965 X 623	10	02
04	0511045694	44,45 X 85,7 X 515 X 203 HYDRAULIC CYLINDER	11	02
05	0503010190	2-114 N 3006-9B O'RING		12
06	0501010617	NIPL 3/4" NF X 3/4" NF HEX. 7/8" X 44		12
07	0503011271	3/4" UNF "T" CONNECTION T 3 SIDES		04
08	0501053834	MALE QUICK COUPLER	12	04
09	0511057152	HOSE KIT		01
09A	0501080025	3/8" X 55,11" TR-TC HOSE		03
09B	0501080192	3/8" X 18.9" TR-TC HOSE		01
09C	0501080124	3/8 X 900 TR-TC HOSE		02
09D	0501081022	3/8" X 108.3" TR-TC HOSE ASSY		01
09E	0501080389	3/8" X 126" TC-TC HOSE ASSY		02
09F	0501080349	3/8" X 295" TR-TM HOSE		02
09G	0501080418	3/8" X 165" TR-TC HOSE		01
09H	0501081551	HOSE		02
09I	0501080411	TR-TR HOSE ASSY		02



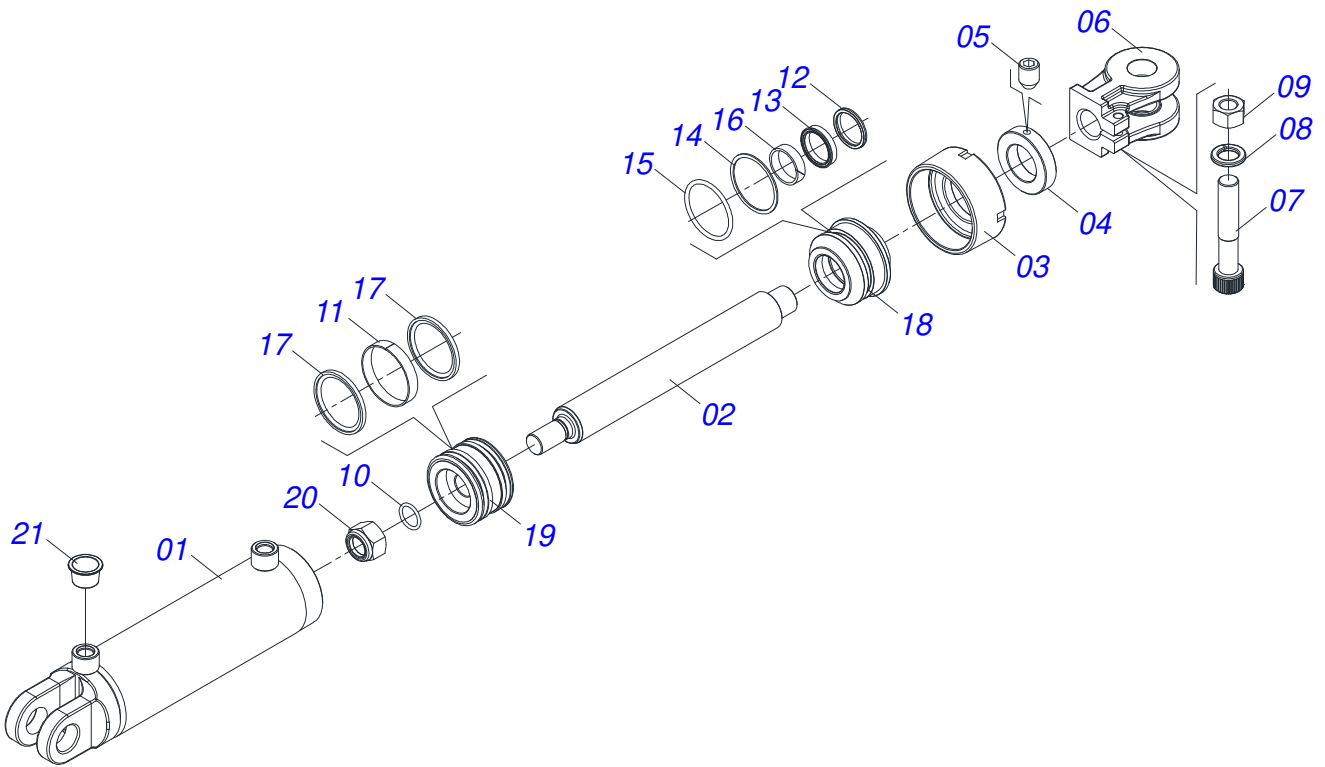
Item	Code	Description	See page	QT
01	0521066149	CYLINDER CASE		01
02	0503010817	1.1/4" SELF LOCKING NUT		01
03	0502010017	4" LID		01
04	0503010338	2-342 N 3006-9B O'RING		01
05	0503011061	8-342 BACK-UP RING		01
06	0503030385	CYLINDER PLUG N-002		02
07	0521062882	53,98 X 448 TURNBUCKLE		01
08	0503010002	1800 GREASE FITTING		01
09	0502011250	RING OF SUPPORT		01
10	0503015715	SCRAPER SEALING		01
11	0503015642	U-CUP SEALING RUUB000970		02
12	0503010973	W2-2500-500 PK O'RING G.E		01
13	0503010345	2-218 N 3006-9B O'RING		01
14	0503017889	RING GUIDE		02
15	0581012601	PISTON		01
16	0581012602	PISTON		01
17	0503018651	SEALING		01
18	0511032517	CYLINDER REPAIR KIT 53,98 X 101,6		01



Item	Code	Description	See page	QT
01	0511061336	101,6 X 398 CYLINDER CASE		01
02	0521065064	TURNBUCLE		01
03	0561016389	PISTON BODY		01
04	0561016387	PISTON BODY		01
05	0503015633	SELEMASTER SEALING		01
06	0503010345	2-218 N 3006-9B O'RING		01
07	0503010817	1.1/4" SELF LOCKING NUT		01
08	0502012642	SUPPORT OF THE RINGS		01
09	0503015634	RING SLYDRING		01
10	0503015635	U-CUP SEAL		01
11	0503015636	SCRAPER SEAL		01
12	0503010338	2-342 N 3006-9B O'RING		01
13	0503011061	8-342 BACK-UP RING		01
14	0502010017	4" LID		01
15	0503030384	PLUG N-001		02

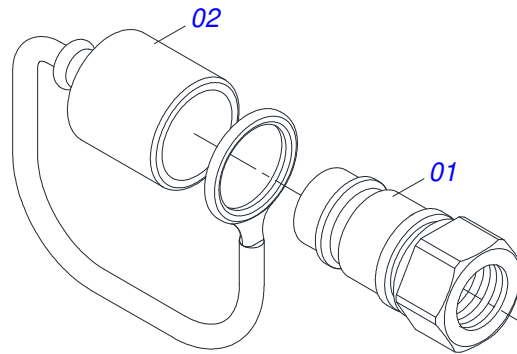


Item	Code	Description	See page	QT
01	0521063028	127 X 863 CYLINDER CASE		01
02	0521063027	50,8 X 888 ROD		01
03	0502012518	2" X 5" PISTON		01
04	0502012227	2" X 5" RING SUPPORT		01
05	0503010817	1.1/4" SELF LOCKING NUT		01
06	0502010382	5" END CAP		01
07	0503030384	PLUG N-001		01
08	0503010974	W2-5000-500 RING		01
09	0503013440	OE 127 GASKET		01
10	0503010351	2-425 N 3006-9B O'RING		01
11	0503011062	8-425 BACK-UP RING		01
12	0503010952	W2-2250-500 RING		01
13	0503010991	1870-2000-375-B GASKET		01
14	0503010039	D-2000 SCRAPER RING		01
15	0503010345	2-218 N 3006-9B O'RING		01
16	0503010002	1800 GREASE FITTING		01

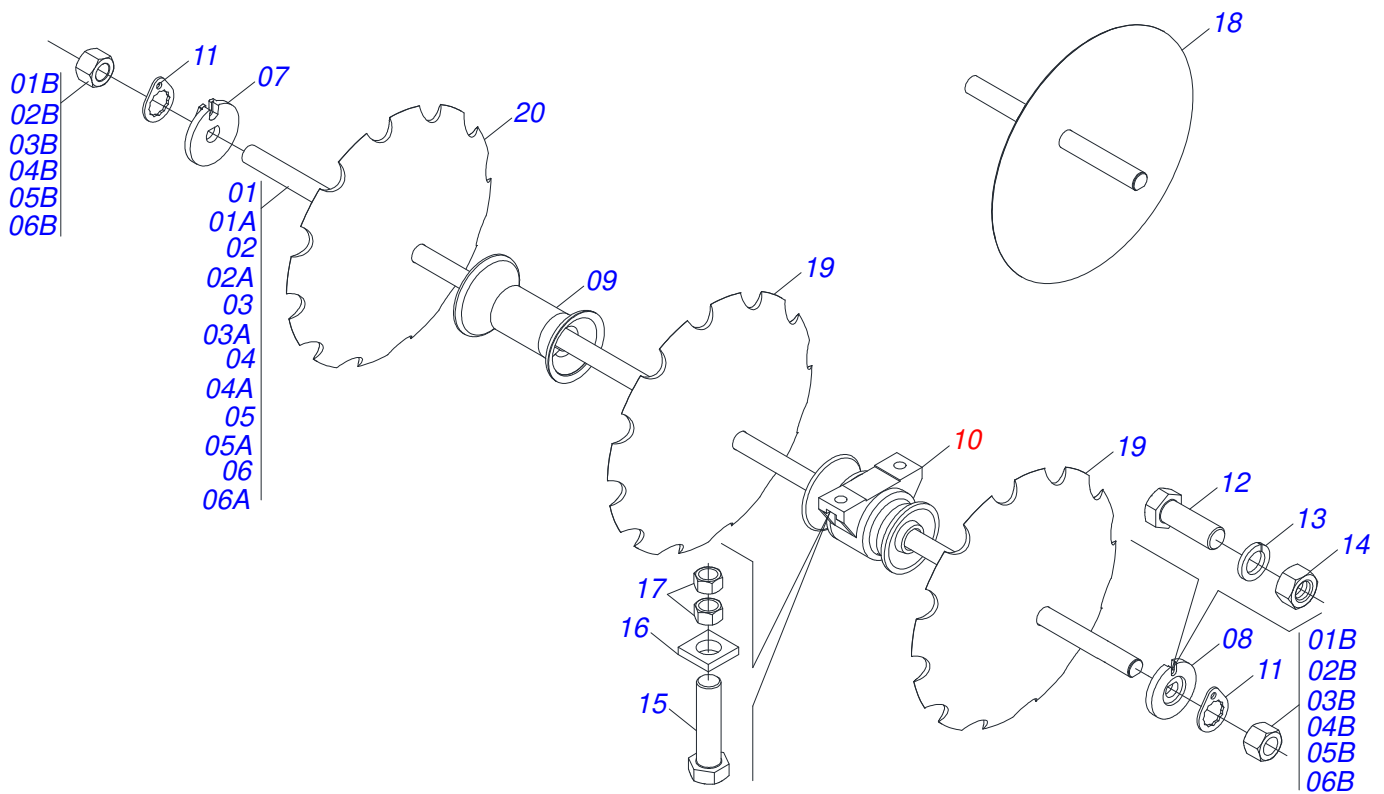


Item	Code	Description	See page	QT
01	0511068372	85,72 X 203 CYLINDER CASE		01
02	0521010421	HYDRAULIC CYLINDER TURNBUCKLE		01
03	0502010993	MOBILE LID		01
04	0511018115	1.8" X 0.1" 0.7" BUSHING		01
05	0503011148	3/8" X 1/2" BOLT		01
06	0502040747	32.54 CLEVIS CLAMP		01
07	0503011094	BOLT 3/8" UNC X 2" C C S I 12.9		01
08	0503010025	3/8" SPRING WASHER		01
09	0503010026	3/8" NUT		01
10	0503010042	2-214 N 3006-9B O'RING		01
11	0503010948	W4-3346-590 PK RING G.E		01
12	0503010761	D-1750 SCRAPER RING		01
13	0503010990	GASKET		01
14	0503011060	8-336 BACK-UP RING		01
15	0503010979	2-336 N 3006-9B O'RING		02
16	0503010949	W2-2000-500 PK RING G.E		01
17	0503012509	GASKET		01
18	0502010781	RING SUPPORT		01
19	0502011847	1.7" X 3.4" PISTON		01
20	0503010063	1" SELF-ALIGNING NUT		01
21	0503030384	PLUG N-001		02

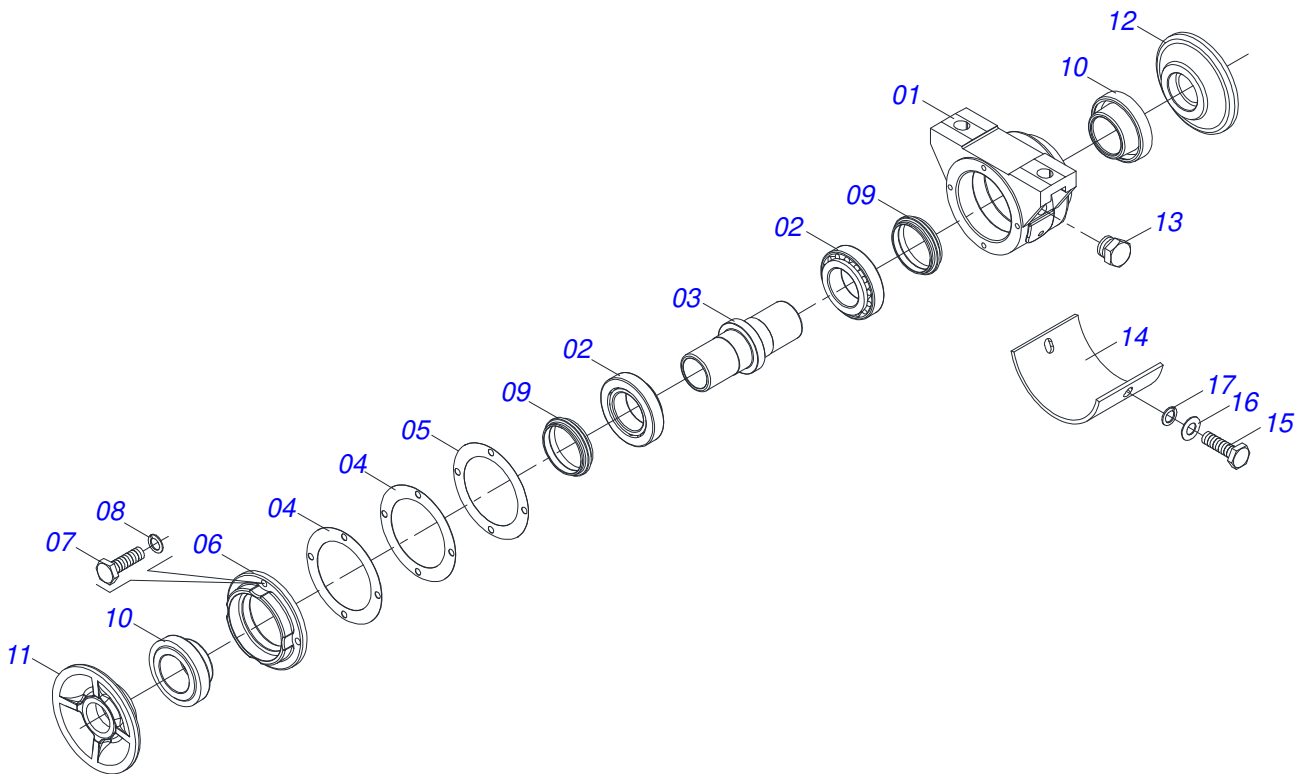




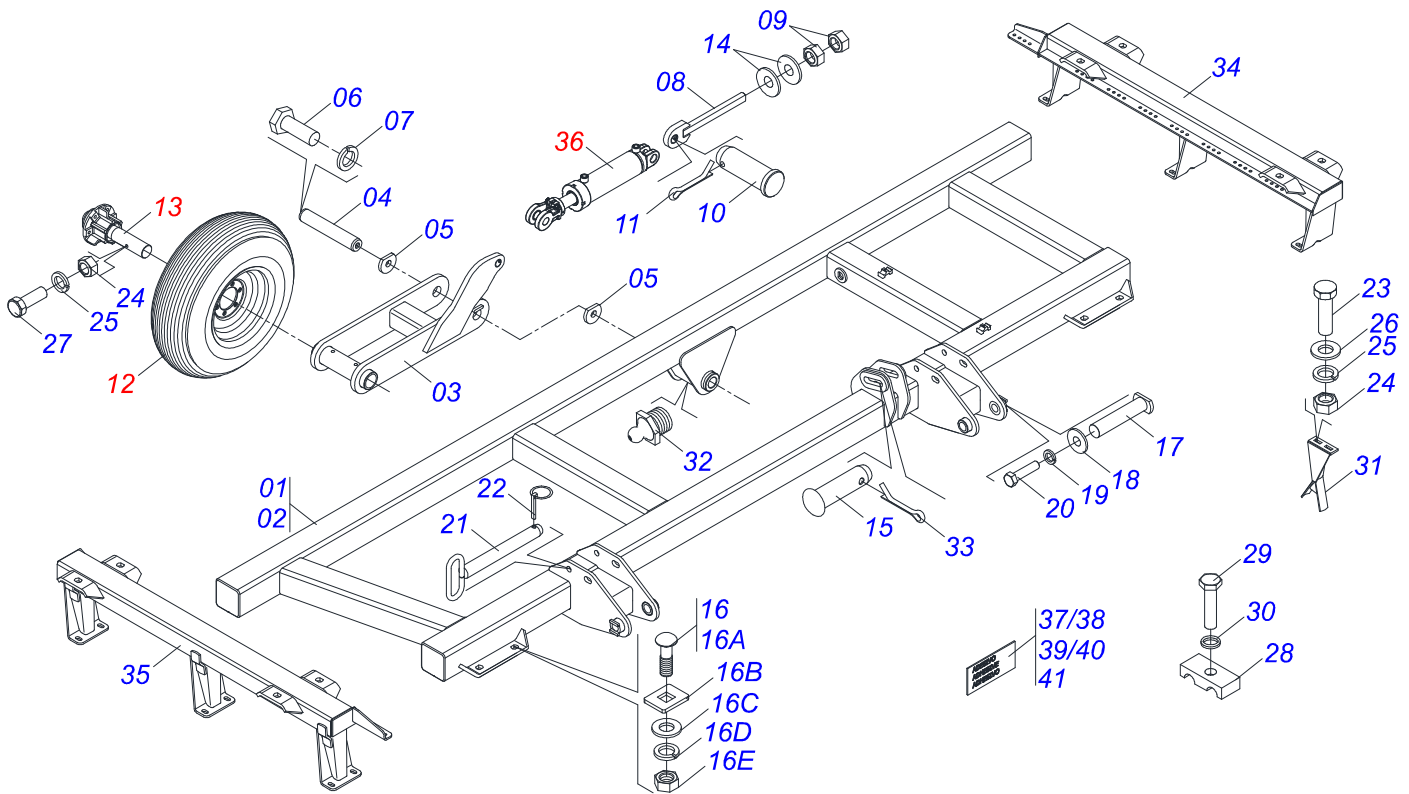
Item	Code	Description	See page	QT
01	0503011627	MALE QUICK COUPLER AGR 1/2 NPT		01
02	0503011882	MALE QUICK COUPLER CAP		01



Item	Code	Description	See page	64	72	84	96	108
01	0521040747	1-1/2" X 2320 AXLE ASSY		01	03	01	00	00
01A	0571011040	1-1/2" X 2320 AXLE		01	03	01	00	00
01B	0501010110	1.1/2 NC 6FPP 2.3/8 HEXAGONAL NUT		02	02	02	00	00
02	0521040668	1.1/2" X 1920 AXLE ASSY		02	00	00	02	02
02A	0571010817	1,1/2" X 1920 AXLE		01	00	00	00	00
02B	0501010110	1.1/2 NC 6FPP 2.3/8 HEXAGONAL NUT		02	00	00	02	02
03	0521040746	1-1/2" X 2920 AXLE ASSY		00	00	02	00	00
03A	0571011039	1-1/2" X 2920 AXLE		00	00	01	00	00
03B	0501010110	1.1/2 NC 6FPP 2.3/8 HEXAGONAL NUT		00	00	02	00	00
04	0521040694	1-1/2" X 1320 AXLE ASSY		00	00	00	04	00
04A	0571010872	1-1/2" X 1320 AXLE ASSY		00	00	00	01	00
04B	0501010110	1.1/2 NC 6FPP 2.3/8 HEXAGONAL NUT		00	00	00	02	00
05	0521040666	1,1/2" X 1520 AXLE ASSY		00	00	00	00	02
05A	0571010815	1,1/2" X 1520 AXLE		00	00	00	00	01
05B	0501010110	1.1/2 NC 6FPP 2.3/8 HEXAGONAL NUT		00	00	00	00	02
06	0521040667	1-1/2" X 1320 AXLE ASSY		00	00	00	00	02
06A	0571010816	1.1/2" X 1720 AXLE		00	00	00	00	01
06B	0501010110	1.1/2 NC 6FPP 2.3/8 HEXAGONAL NUT		00	00	00	00	02
07	0502010872	1-1/2" INNER AXLE WASHER		06	06	06	12	12
08	0502010871	EXTERNAL AXLE WASHER 1.1/2"		06	06	06	12	12
09	0502011594	SPACER		40	48	60	72	72
10	0511040472	AGRICULTURAL BEARING	14	18	18	18	24	24
11	0501018592	1.5/8 HEX 60,0/60,2 LOCK NUT		12	12	12	24	24
12	0503011267	BOLT 5/8" UNC X 1.1/2 C S G.5 ZN		06	06	06	12	12
13	0503010027	5/8 SPRING WASHER		06	06	06	12	12
14	0503010013	5/8 UNC G.5 ZN HEX NUT		06	06	06	12	12
15	0503012246	5/8" X 2-3/4" BOLT		36	36	36	48	48
16	0521013775	FLAT WASHER		36	36	36	48	48
17	0503010129	5/8" NUT		72	72	72	96	96
18	0601029406	DL 22 X 4,50 C74AF02FR1.9/16		64	36	00	00	00
19	0602029409	DR 22 X 4,50 C74AF02FR1.9/16 10R		00	36	84	00	00
20	0602029409	DR 22 X 4,50 C74AF02FR1.9/16 10R		00	00	00	96	108

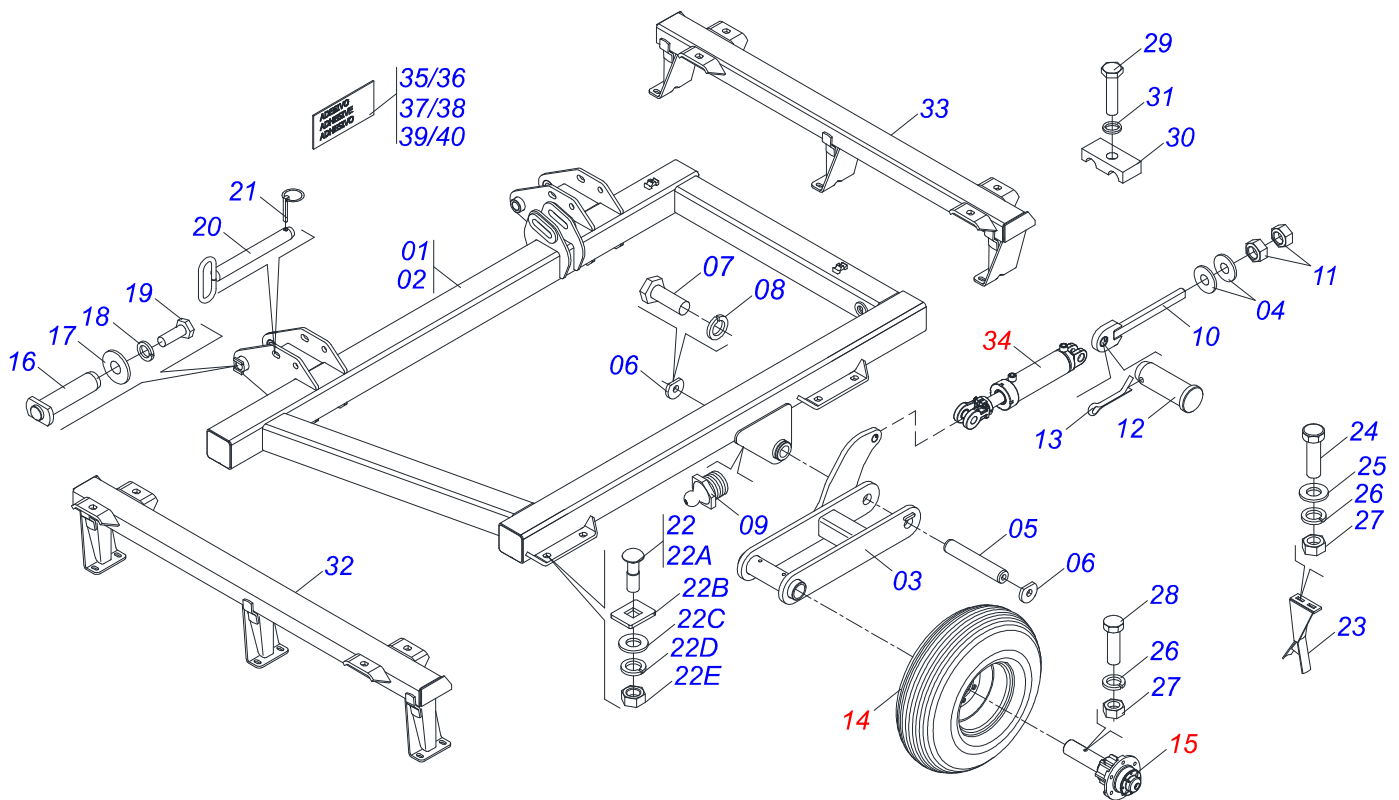


Item	Code	Description	See page	QT
01	0502012014	BODY BEARING		01
02	0503010006	32210 ROLLER BEARING		02
03	0502040514	157,50 / 157,35 AXLE		01
04	0503031730	JOINT SEALING		02
05	0503031729	JOINT SEALING		01
06	0502012015	BEARING COVER		01
07	0503010371	5/16" X 1" BOLT		04
08	0503011444	SPRING WASHER 5/16"		04
09	0503030026	SEAL LP JB-253		02
10	0502010541	SEAL HOLDER		02
11	0502010604	OUTER FLANGE		01
12	0502010605	INNER FLANGE		01
13	0503010856	OIL PLUG R 3/8 BSPT		01
14	0521013857	PLATE PROTECTION		01
15	0503011334	3/8 UNC X 3/4 CS G.5 ZN BOLT		02
16	0501010984	10,50 X 27 X 3,00 FLAT WASHER		02
17	0503010025	3/8" SPRING WASHER		02



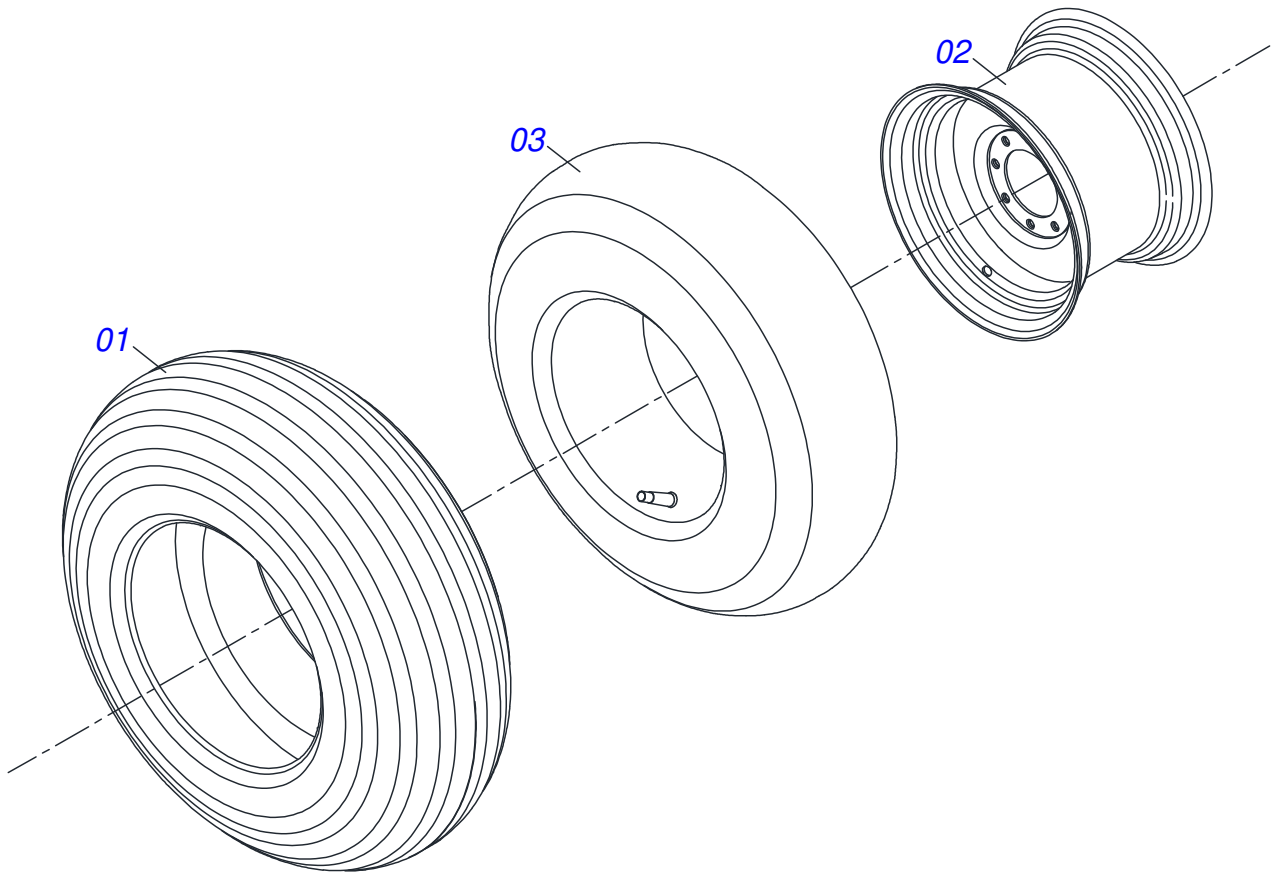
Item	Code	Description	See page	64	72	84
01	0521065486	RIGHT SIDE FRAME 72/84 D.		01	00	00
02	0521065515	FRAME SIDE RIGHT 72/84		00	01	01
03	0521062989	RIGHT SIDE CARRYING-WHEELS		01	01	01
04	0551019516	COUPLING SHAFT		01	01	01
05	0551019512	LOCK WASHER		02	02	02
06	0503011250	1" X 2" BOLT		02	02	02
07	0503010012	1" SPRING WASHER		02	02	02
08	0521062963	REGULATOR SPINDLE		01	01	01
09	0501010110	1.1/2 NC 6FPP 2.3/8 HEXAGONAL NUT		02	02	02
10	0521012538	1.2" X 3.5" COUPLING SHAFT		02	02	02
11	0503010523	1/4 X 2 SPLIT PIN		02	02	02
12	0503060181	WHEEL AND TIRE	17	01	01	01
13	0511045580	CARRYING WHEEL HUB ASSY	18	01	01	01
14	0501012916	FLAT WASHER 40 X 66 X 4,75 ZN		02	02	02
15	0511010174	1.2" X 5.9" COUPLING SHAFT		02	02	02
16	0501040877	C1" X 3-1/4" BOLT ASSY		08	08	08
16A	0501014309	C1" X 3-1/4" BOLT		08	08	08
16B	0501010951	1" SQUARE WASHER		08	08	08
16C	0501010065	1" SPRING WASHER		08	08	08
16D	0503011438	SPRING WASHER		08	08	08
16E	0501010059	1.5/8 NUT		08	08	08
17	0521062964	PIVOT SHAFT FRAME		02	02	02
18	0511017232	FLAT WASHER		02	02	02
19	0503010023	3/4" SPRING WASHER		02	02	02
20	0501011544	BOLT 3/4 UNC X 1.1/2 C S G.5 ZN		02	02	02
21	0501069463	1" X 8" LOCK PIN		02	02	02
22	0503030119	LOCK PIN		02	02	02
23	0503010920	1/2 UNC X 1.1/2 C S G.5 ZN BOLT		28	36	48
24	0503010060	1/2 UNC G.5 ZN HEX NUT		29	37	49
25	0503010019	1/2" SPRING WASHER		29	37	49
26	0501010937	13,50 X 28 X 3,00 FLAT WASHER		28	36	48
27	0503010706	BOLT 1/2 UNC X 4.1/2 C S G.5 ZN		01	01	01

Item	Code	Description	See page	64	72	84
28	0502012702	BODY SUPPORT CLAMP		02	02	02
29	0503011135	BOLT 7/16" UNC X 1.1/2" C S G.5 ZN		02	02	02
30	0503010180	7/16" SPRING WASHER		02	02	02
31	0511060204	CLEANER		14	18	24
32	0503010002	1800 GREASE FITTING		01	01	01
33	0503010010	1/4" X 2.1/2" SPLIT PIN		02	02	02
34	0521065501	RIGHT REAR FRAME - 64D		01	00	00
34.	0521065527	RIGHT REAR FRAME - 72D		00	01	00
34..	0521065538	RIGHT REAR FRAME - 84D		00	00	01
35	0521065495	RIGHT FRONT FRAME - 64D		01	00	00
35.	0521065522	RIGHT FRONT FRAME - 72D		00	01	00
35..	0521065544	RIGHT FRONT FRAME - 84D		00	00	01
36	0511045694	44,45 X 85,7 X 515 X 203 HYDRAULIC CYLINDER	11	01	01	01
37	0503033038	DANGER DECAL		02	02	02
38	0503031738	WARNING DECAL		01	01	01
39	0503031896	DANGER DECAL		01	01	01
40	0503034238	BADGE		01	01	01
41	0503033241	CIVEMASA 100 X 400 BADGE		01	01	01



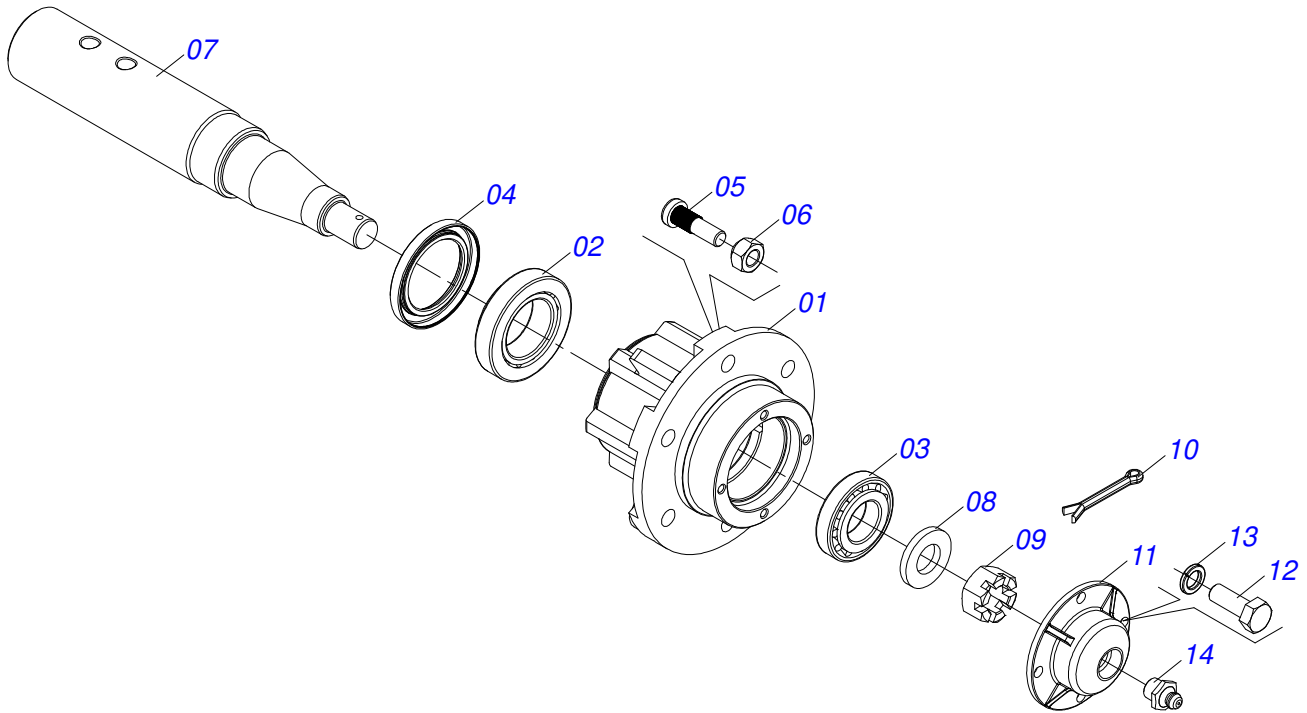
Item	Code	Description	See page	64	72	84
01	0521065487	FRAME SIDE LEFT		01	00	00
02	0521065530	FRAME SIDE LEFT		00	01	01
03	0521062987	CARRYING-WHEELS SIDE LEFT		01	01	01
04	0501012916	FLAT WASHER 40 X 66 X 4,75 ZN		02	02	02
05	0551019516	COUPLING SHAFT		01	01	01
06	0551019512	LOCK WASHER		02	02	02
07	0503011250	1" X 2" BOLT		02	02	02
08	0503010012	1" SPRING WASHER		02	02	02
09	0503010002	1800 GREASE FITTING		01	01	01
10	0521062963	REGULATOR SPINDLE		01	01	01
11	0501010110	1.1/2 NC 6FPP 2.3/8 HEXAGONAL NUT		02	02	02
12	0521012538	1.2" X 3.5" COUPLING SHAFT		02	02	02
13	0503010523	1/4 X 2 SPLIT PIN		02	02	02
14	0503060181	WHEEL AND TIRE	17	01	01	01
15	0511045580	CARRYING WHEEL HUB ASSY	18	01	01	01
16	0521062964	PIVOT SHAFT FRAME		02	02	02
17	0511017232	FLAT WASHER		02	02	02
18	0503010023	3/4" SPRING WASHER		02	02	02
19	0501011544	BOLT 3/4 UNC X 1.1/2 C S G.5 ZN		02	02	02
20	0501069463	1" X 8" LOCK PIN		02	02	02
21	0503030119	LOCK PIN		02	02	02
22	0501040877	C1" X 3-1/4" BOLT ASSY		08	08	08
22A	0501014309	C1" X 3-1/4" BOLT		08	08	08
22B	0501010951	1" SQUARE WASHER		08	08	08
22C	0501010065	1" SPRING WASHER		08	08	08
22D	0503011438	SPRING WASHER		08	08	08
22E	0501010059	1.5/8 NUT		08	08	08
23	0511060204	CLEANER		12	16	22
24	0503010920	1/2 UNC X 1.1/2 C S G.5 ZN BOLT		24	32	44
25	0501010937	13,50 X 28 X 3,00 FLAT WASHER		24	32	44
26	0503010019	1/2" SPRING WASHER		25	33	45
27	0503010060	1/2 UNC G.5 ZN HEX NUT		25	33	45

<b>Item</b>	<b>Code</b>	<b>Description</b>	<b>See page</b>	<b>64</b>	<b>72</b>	<b>84</b>
28	0503010706	BOLT 1/2 UNC X 4.1/2 C S G.5 ZN		01	01	01
29	0503011135	BOLT 7/16" UNC X 1.1/2" C S G.5 ZN		02	02	02
30	0502012702	BODY SUPPORT CLAMP		02	02	02
31	0503010180	7/16" SPRING WASHER		02	02	02
32	0521065491	LEFT FRONT FRAME - 64D		01	00	00
32.	0521065523	LEFT FRONT FRAME - 72D		00	01	00
32..	0521065542	LEFT FRONT FRAME - 84D		00	00	01
33	0521065497	LEFT REAR FRAME - 64D		01	00	00
33.	0521065525	LEFT REAR FRAME - 72D		00	01	00
33..	0521065536	LEFT REAR FRAME - 84D		00	00	01
34	0511045694	44,45 X 85,7 X 515 X 203 HYDRAULIC CYLINDER	11	01	01	01
35	0503033038	DANGER DECAL		02	02	02
36	0503031738	WARNING DECAL		01	01	01
37	0503031896	DANGER DECAL		01	01	01
38	0503033647	APPROVED DECAL		01	01	01
39	0503034238	BADGE		01	01	01
40	0503033241	CIVEMASA 100 X 400 BADGE		01	01	01

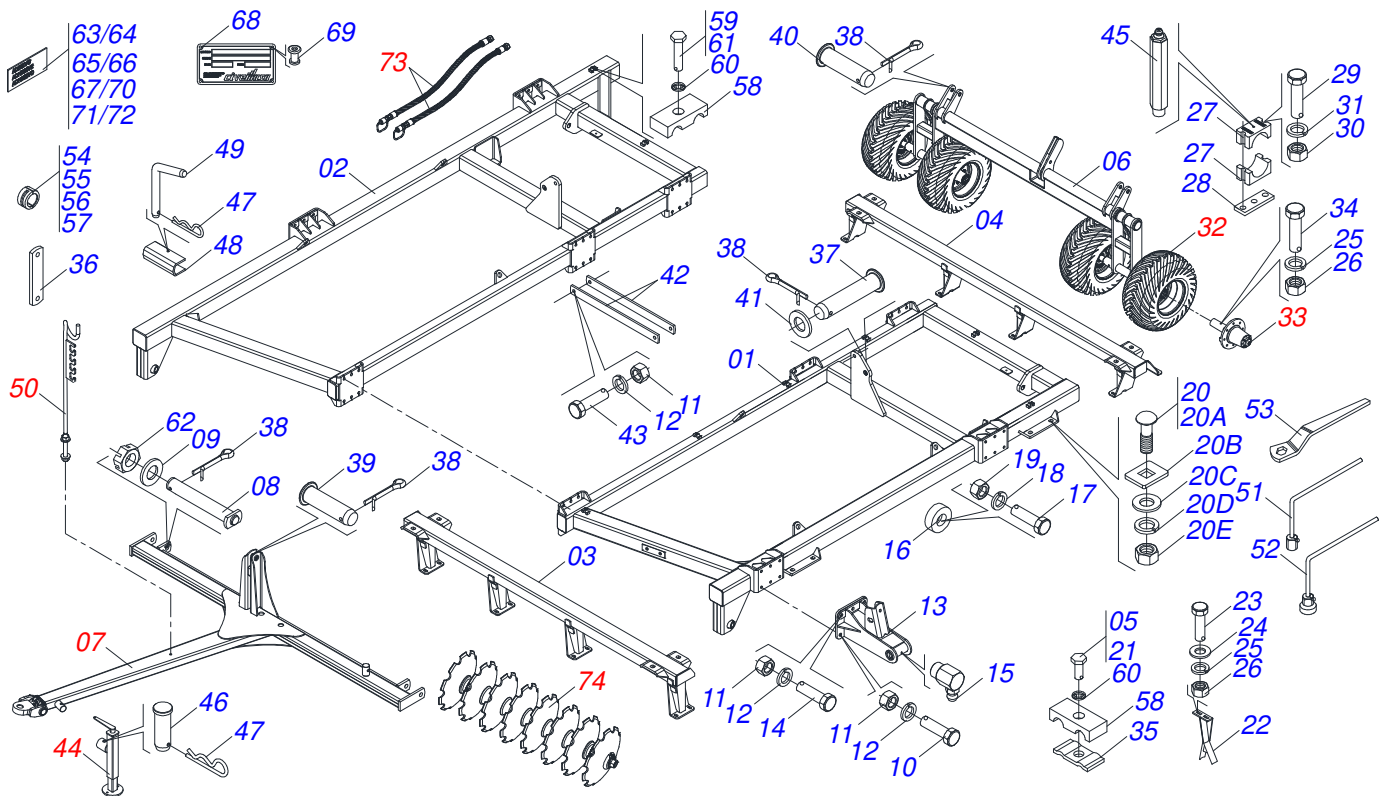


Item	Code	Description	See page	QT
01	0503010858	CANVAS TIRE		01
02	0503011468	WEEL		01
03	0503010860	AIR CHAMBER 11L 15		01



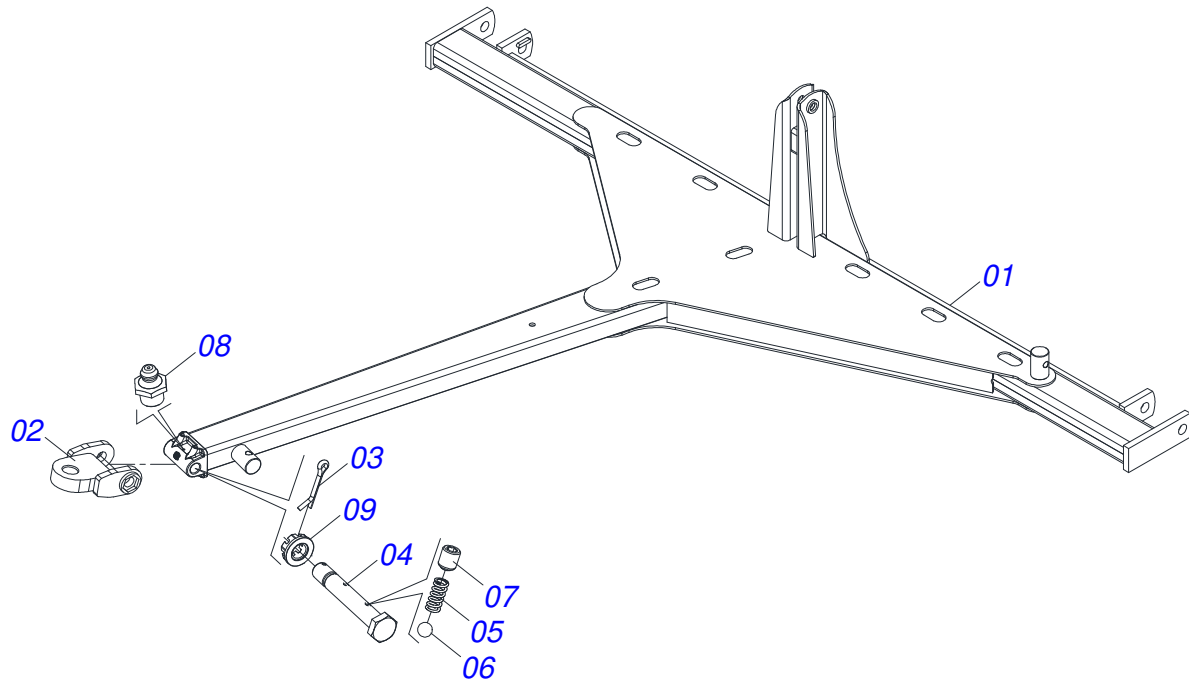


Item	Code	Description	See page	QT
01	0502011121	CARRYING WHEEL HUB		01
02	0503010006	32210 ROLLER BEARING		01
03	0503010037	30207 ROLLER BEARING		01
04	0503011867	00517-BR SEAL WITH HOLE		01
05	0501010127	9/16" X 1-7/8" LUG BOLT		06
06	0503010035	9/16" CONIC NUT		06
07	0541015259	63,40 X 366 AXLE		01
08	0501016545	FLAT WASHER		01
09	0503030009	1" CASTLE NUT		01
10	0503010018	5/32" X 1-1/2" SPLIT PIN		01
11	0502020591	PROTECTION LID		01
12	0503010178	5/16" X 7/8" BOLT		04
13	0503010179	LOCK WASHER 5/16 ZN 1K01528		04
14	0503010002	1800 GREASE FITTING		01

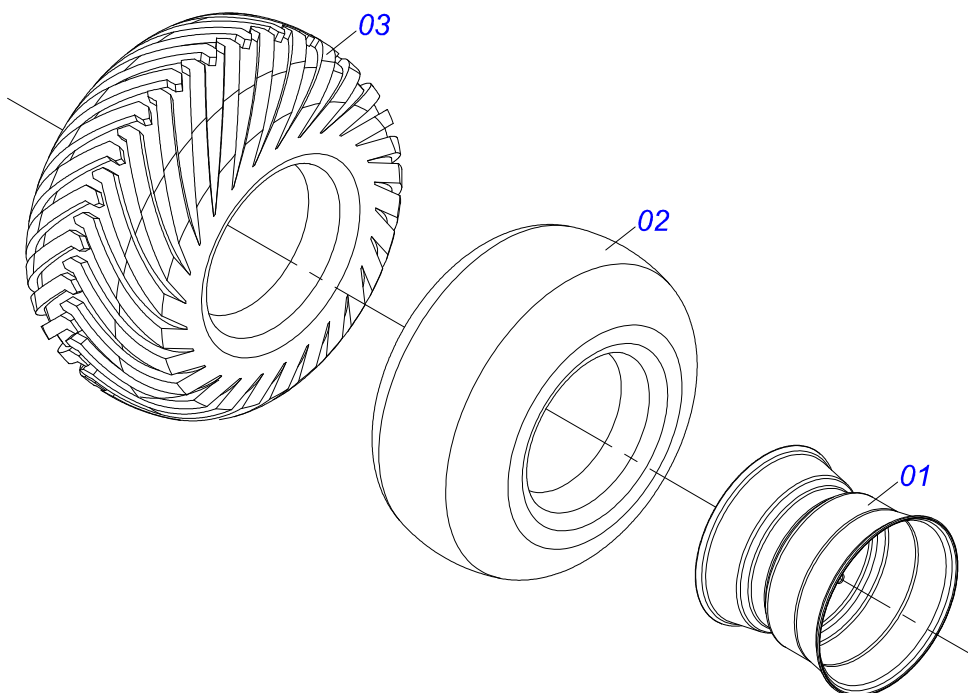


Item	Code	Description	See page	96 108
00	0511056639	LEFT FRAME CENTER		01 01
00.	0511056640	RIGHT CENTRAL FRAME		01 01
00..	0511056641	LEFT HAND FRAME		01 01
00...	0511056642	FRONT RIGHT SIDE FRAME		01 01
00....	0511056644	REAR RIGHT SIDE FRAME		01 01
01	0521065065	LEFT FRAME CENTER		01 01
02	0521065050	RIGHT CENTRAL FRAME		01 01
03	0521062870	FRONT FRAME CENTRIC		01 01
03.	0521065057	FRONT CENTRAL FRAME		00 01
04	0521062871	REAR FRAME CENTRAL		01 01
04.	0521065061	REAR CENTRAL FRAME		00 01
05	0503011103	BOLT 7/16" UNC X 2.1/2" C S G.5 ZN		05 00
06	0521062877	REAR CARRIER CENTRAL		01 01
07	0521044459	DRAWBAR ASSY	20	01 01
08	0521062959	38,1 X 265 AXLE		02 02
09	0501012916	FLAT WASHER 40 X 66 X 4,75 ZN		02 02
10	0503011196	3/4" X 2-1/4" BOLT		30 30
11	0503010014	3/4" ZN G.5 (HEAVY) UNC HEX NUT		44 44
12	0503010023	3/4" SPRING WASHER		42 42
13	0521063017	ARTICULATION FRAME SIDE		04 04
14	0501010500	3/4" X 3" BOLT		12 12
15	0503010004	1890 GREASE FITTING		04 04
16	0521011481	FRAME BATTERY		04 04
17	0503011267	BOLT 5/8" UNC X 1.1/2 C S G.5 ZN		04 04
18	0503010027	5/8 SPRING WASHER		04 04
19	0503010013	5/8 UNC G.5 ZN HEX NUT		04 04
20	0501040877	C1" X 3-1/4" BOLT ASSY		08 08
20A	0501010171	BOLT 1 UNC X 3.1/2 C S G.5		08 08
20B	0502012861	1" SQUARE WASHER		08 08
20C	0501010065	1" SPRING WASHER		08 08
20D	0503010012	1" SPRING WASHER		08 08
20E	0501010059	1.5/8 NUT		08 08

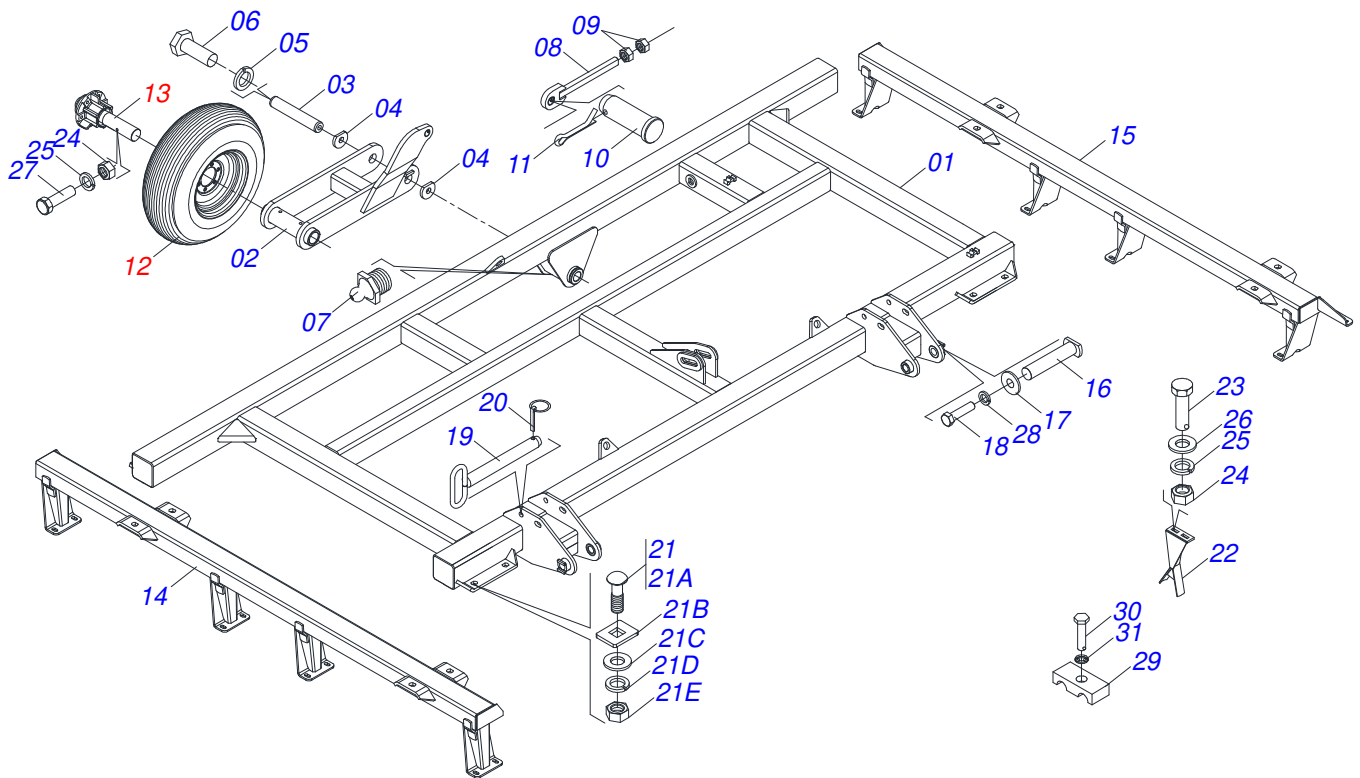
Item	Code	Description	See page	96 108
21	0503011135	BOLT 7/16" UNC X 1.1/2" C S G.5 ZN		03 03
22	0511060204	CLEANER		31 31
23	0503010920	1/2 UNC X 1.1/2 C S G.5 ZN BOLT		64 64
24	0511017302	FLAT WASHER 13,50 X 32,50 X 3,0 ZN		64 64
25	0503010019	1/2" SPRING WASHER		66 68
26	0503010060	1/2 UNC G.5 ZN HEX NUT		66 68
27	0502010673	BEARING SEMI		06 06
28	0501015593	SUPPORT PLATE		03 03
29	0501010064	BOLT 1" UNC X 9 CS G.5 ZN		06 06
30	0501010059	1.5/8 NUT		08 08
31	0503010012	1" SPRING WASHER		08 08
32	0503060102	WHEEL AND TIRE 400/60 - 14L RIGHT	21	04 04
33	0501051885	CARRYING-WHEELS	4	04 04
34	0503010706	BOLT 1/2 UNC X 4.1/2 C S G.5 ZN		04 04
35	0531011180	SUPPORT		03 03
36	0571010547	PLATE FIXER BAR STABILIZER		01 01
37	0521012538	1.2" X 3.5" COUPLING SHAFT		05 05
38	0503010523	1/4 X 2 SPLIT PIN		11 11
39	0521010780	1.2" X 4.5" COUPLING SHAFT		01 01
40	0521010547	1.2" X 6.5" COUPLING SHAFT		02 02
41	0501017779	FLAT WASHER 32 X 60 X 4,75		02 02
42	0571010553	CENTRAL REINFORCING PLATE FRAME		02 02
43	0501010171	BOLT 1 UNC X 3.1/2 C S G.5		02 02
44	0511048088	DRAWBAR JACK	6	01 00
45	0503010829	GREASE FITTING		00 01
46	0561014251	COUPLING SHAFT		01 01
47	0503030285	HITCH PIN CLIP		03 03
48	0551019515	LATCH SHIPPING		02 02
48.	0551010332	TRANSPORT LOCK		01 01
49	0541016844	FIXER LOCK		02 02
50	0501040257	3/4" X 38" HOSE SUPPORT ASSY	5	01 01
51	0501068273	5/8" WRENCH		01 01
52	0501061045	1" WRENCH CYLINDRICAL		01 01
53	0501011432	1-1/2" AND 1-5/8 GANG BOLT WRENCH		02 02
54	0501047895	25 ROD STOP		04 04
55	0501047885	30 ROD STOP		04 04
56	0501047886	35 ROD STOP		04 04
57	0501047887	40 ROD STOP		04 04
58	0502012702	BODY SUPPORT CLAMP		11 11
59	0503010277	7/16" X 1-1/2" BOLT		00 05
60	0503010180	7/16" SPRING WASHER		08 08
61	0503010850	BOLT 7/16 UNC X 3 CS G.5 ZN		00 03
62	0501011301	1.1/2" UNC 6FPP 2.5/16" NUT		02 02
63	0503031428	ATTENTION READ MANUAL DECAL		01 01
64	0503033038	DANGER DECAL		06 06
65	0503031738	WARNING DECAL		02 02
66	0503031896	DANGER DECAL		02 02
67	0503033647	APPROVED DECAL		01 01
68	0503034004	ALUMINUM IDENTIFICATION DECAL		01 01
69	0503010001	RIVET 3,2 X 5,5		04 04
70	0503034238	BADGE		03 03
71	0503031739	DANGER DECAL		01 01
72	0503033241	CIVEMASA 100 X 400 BADGE		02 02
73		HYDRAULIC CIRCUIT - 96/108D	24	
74		DISC GANG ASSY	13	



Item	Code	Description	See page	QT
01	0521065055	DRAWBAR		01
02	0511070237	TRACTOR HITCH		01
03	0503010010	1/4" X 2.1/2" SPLIT PIN		01
04	0571016538	1-1/2" X 245" BOLT		01
05	0503033994	COMPRESSION SPRING		02
06	0503012389	1/2 BALL		02
07	0503013333	BOLT		02
08	0503010002	1800 GREASE FITTING		01
09	0501011301	1.1/2" UNC 6FPP 2.5/16" NUT		01

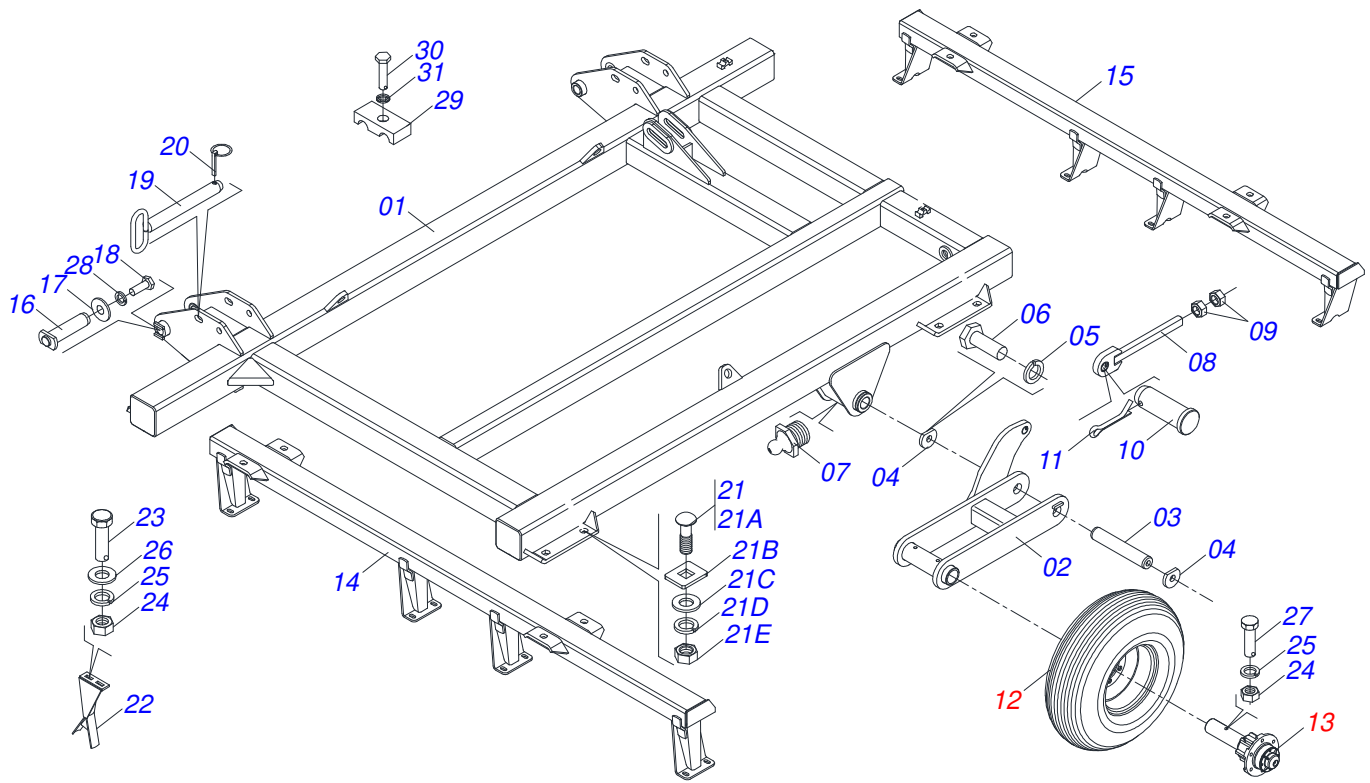


Item	Code	Description	See page	QT
01	0501069483	WHEEL 13 X 15,5 - 21FT		01
02	0503012112	400/60 - 15.5 TR 15 INNER TIRE		01
03	0503013119	CANVAS TIRE 400/60-15,5-T404-14L TRELEBORG		01



Item	Code	Description	See page	96 108
00	0511056642	FRONT RIGHT SIDE FRAME		01 01
01	0521062862	RIGTH SIDE REAR FRAME		01 01
01.	0521065588	FRONT RIGHT SIDE FRAME		00 01
02	0521062989	RIGHT SIDE CARRYING-WHEELS		01 01
03	0551019516	COUPLING SHAFT		01 01
04	0551019512	LOCK WASHER		02 02
05	0503010012	1" SPRING WASHER		02 02
06	0503011250	1" X 2" BOLT		02 02
07	0503010002	1800 GREASE FITTING		01 01
08	0521062963	REGULATOR SPINDLE		01 01
09	0501010110	1.1/2 NC 6FPP 2.3/8 HEXAGONAL NUT		02 02
10	0521012538	1.2" X 3.5" COUPLING SHAFT		02 02
11	0503010523	1/4 X 2 SPLIT PIN		02 02
12	0503060181	WHEEL AND TIRE	17	01 01
13	0511045580	CARRYING WHEEL HUB ASSY	18	01 01
14	0521065080	RIGHT FRONT FRAME - 96D		00 01
14.	0521065056	RIGHT REAR FRAME - 108D		00 01
15	0521065078	RIGHT REAR FRAME - 96D		00 01
15.	0521065059	RIGHT REAR FRAME - 108D		00 01
16	0521062964	PIVOT SHAFT FRAME		02 02
17	0511017232	FLAT WASHER		02 02
18	0501011544	BOLT 3/4 UNC X 1.1/2 C S G.5 ZN		02 02
19	0501069463	1" X 8" LOCK PIN		02 02
20	0503030119	LOCK PIN		02 02
21	0501040877	C1" X 3-1/4" BOLT ASSY		08 08
21A	0501014309	C1" X 3-1/4" BOLT		08 08
21B	0501010951	1" SQUARE WASHER		08 08
21C	0501010065	1" SPRING WASHER		08 08
21D	0503011438	SPRING WASHER		08 08
21E	0501010059	1.5/8 NUT		08 08
22	0511060204	CLEANER		19 24
23	0503010920	1/2 UNC X 1.1/2 C S G.5 ZN BOLT		38 48

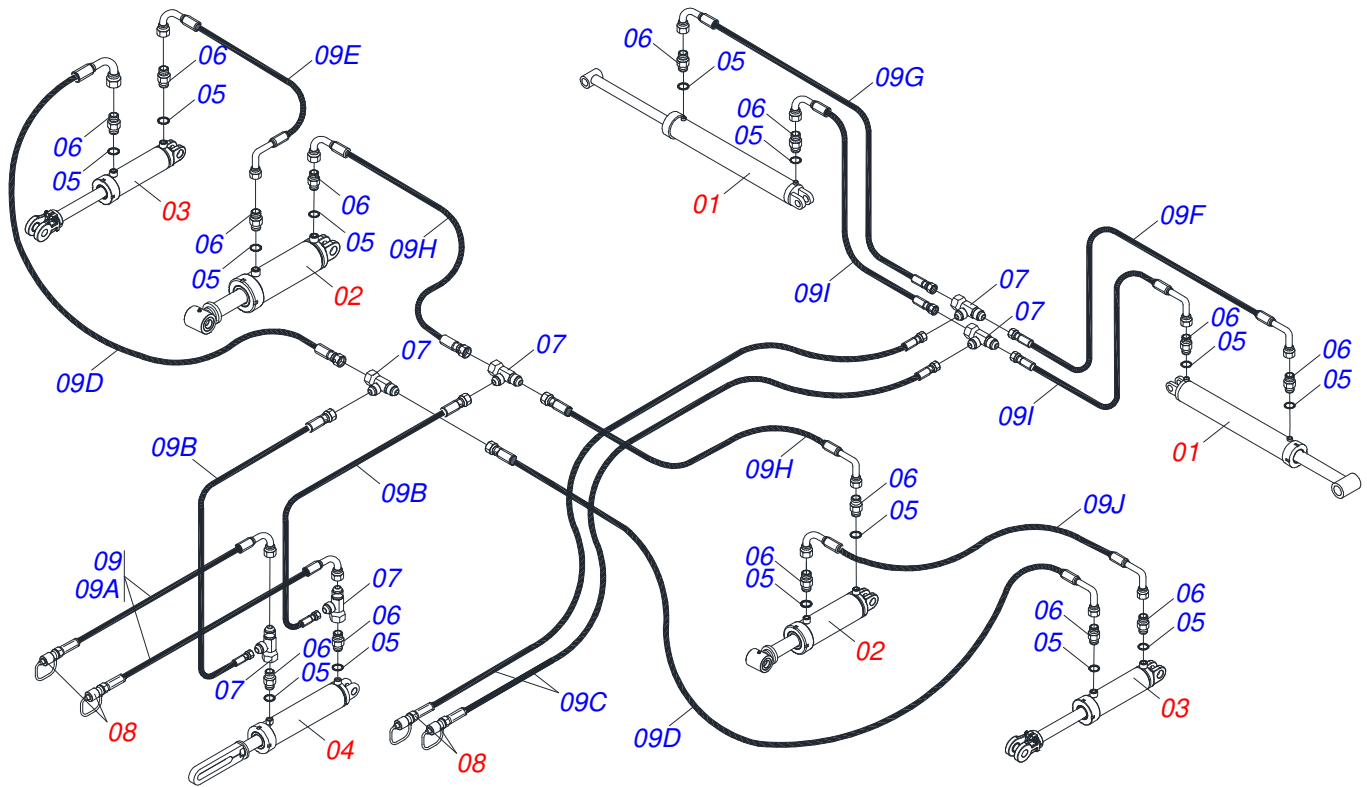
<b>Item</b>	<b>Code</b>	<b>Description</b>	<b>See page</b>	<b>96 108</b>
24	0503010060	1/2 UNC G.5 ZN HEX NUT	39 49	
25	0503010019	1/2" SPRING WASHER	39 49	
26	0511017302	FLAT WASHER 13,50 X 32,50 X 3,0 ZN	38 48	
27	0503010706	BOLT 1/2 UNC X 4.1/2 C S G.5 ZN	01 01	
28	0503010023	3/4" SPRING WASHER	02 02	
29	0502012702	BODY SUPPORT CLAMP	02 02	
30	0503010277	7/16" X 1-1/2" BOLT	02 02	
31	0503010180	7/16" SPRING WASHER	02 02	



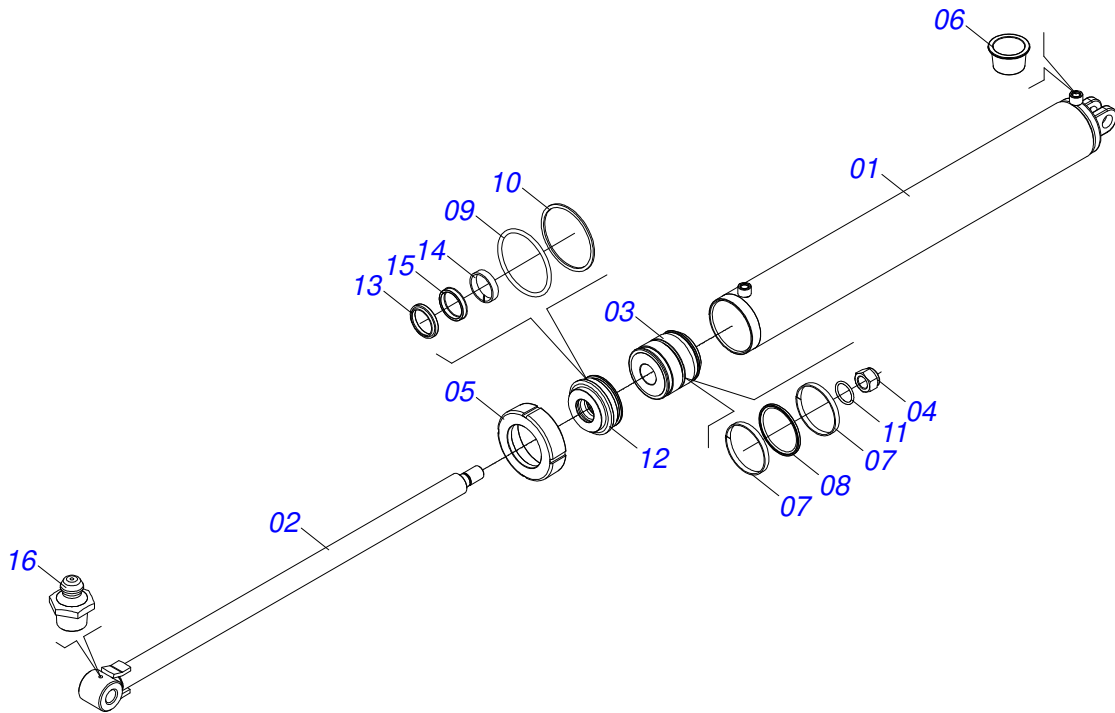
Item	Code	Description	See page	96 108
00	0511056641	LEFT HAND FRAME		00 01
00.	0511056644	REAR RIGHT SIDE FRAME		00 01
01	0521062859	LEFT FRAME SIDE - 96/108D		01 01
01.	0521065587	LEFT SIDE FRAME - 96/108D		00 01
02	0521062987	CARRYING-WHEELS SIDE LEFT		01 01
03	0551019516	COUPLING SHAFT		01 01
04	0551019512	LOCK WASHER		02 02
05	0503010012	1" SPRING WASHER		02 02
06	0503011250	1" X 2" BOLT		02 02
07	0503010002	1800 GREASE FITTING		01 01
08	0521062963	REGULATOR SPINDLE		01 01
09	0501010110	1.1/2 NC 6FPP 2.3/8 HEXAGONAL NUT		02 02
10	0521012538	1.2" X 3.5" COUPLING SHAFT		02 02
11	0503010523	1/4 X 2 SPLIT PIN		02 02
12	0503060181	WHEEL AND TIRE	17	01 01
13	0511045580	CARRYING WHEEL HUB ASSY	18	01 01
14	0521065079	LEFT REAR FRAME - 96D		01 00
14.	0521065058	LEFT FRONT FRAME - 108D		00 01
15	0521065077	FRAME REAR LEFT - 96D		01 00
15.	0521065060	FRAME REAR LEFT - 108D		00 01
16	0521062964	PIVOT SHAFT FRAME		02 02
17	0511017232	FLAT WASHER		02 02
18	0501011544	BOLT 3/4 UNC X 1.1/2 C S G.5 ZN		02 02
19	0501069463	1" X 8" LOCK PIN		02 02
20	0503030119	LOCK PIN		02 02
21	0501040877	C1" X 3-1/4" BOLT ASSY		02 02
21A	0501014309	C1" X 3-1/4" BOLT		08 08
21B	0501010951	1" SQUARE WASHER		08 08
21C	0501010065	1" SPRING WASHER		08 08
21D	0503011438	SPRING WASHER		08 08
21E	0501010059	1.5/8 NUT		08 08
22	0511060204	CLEANER		18 24



<b>Item</b>	<b>Code</b>	<b>Description</b>	<b>See page</b>	<b>96 108</b>
23	0503010920	1/2 UNC X 1.1/2 C S G.5 ZN BOLT		36 48
24	0503010060	1/2 UNC G.5 ZN HEX NUT		37 49
25	0503010019	1/2" SPRING WASHER		37 49
26	0511017302	FLAT WASHER 13,50 X 32,50 X 3,0 ZN		36 48
27	0503010706	BOLT 1/2 UNC X 4.1/2 C S G.5 ZN		01 01
28	0503010023	3/4" SPRING WASHER		02 02
29	0502012702	BODY SUPPORT CLAMP		02 02
30	0503010277	7/16" X 1-1/2" BOLT		02 02
31	0503010180	7/16" SPRING WASHER		02 02



Item	Code	Description	See page	QT
01	0511045827	HYDRAULIC CYLINDER 2" X 5" X 1292 X 933	25	02
02	0521045633	HYDRAULIC CYLINDER 53,98 X 101,60 X 515 X 205	8	02
03	0511045694	44,45 X 85,7 X 515 X 203 HYDRAULIC CYLINDER	11	02
04	0521044444	HYDRAULIC CILINDER	9	01
05	0503010190	2-114 N 3006-9B O'RING		12
06	0501010617	NIPLE 3/4" NF X 3/4" NF HEX. 7/8" X 44		12
07	0503011271	3/4" UNF "T" CONNECTION T 3 SIDES		04
08	0501053834	MALE QUICK COUPLER	12	04
09	0511055691	HOSE KIT		01
09A	0501081551	HOSE		02
09B	0501080411	TR-TR HOSE ASSY		02
09C	0501081956	HOSE 3/8 X 8500 TR-TM		02
09D	0501081752	3/8" X 4900 TR-TC HOSE		02
09E	0501080699	3/8" X 3500 TC-TC HOSE		01
09F	0501080419	3/8" X 83" TR-TC HOSE		01
09G	0501080431	3/8" X 1900 TR-TC HOSE ASSY		01
09H	0501080714	3/8 X 1600 TR-TC HOSE		02
09I	0501080348	3/8" X 47,24" TR-TC HOSE		02
09J	0501080813	3/4" X 4100 TR-TC HOSE		01



Item	Code	Description	See page	QT
01	0511068524	CYLINDER BARREL		01
02	0511069760	ROD 2" X 1215		01
03	0502012518	2" X 5" PISTON		01
04	0503010817	1.1/4" SELF LOCKING NUT		01
05	0502010382	5" END CAP		01
06	0503030384	PLUG N-001		02
07	0503010974	W2-5000-500 RING		02
08	0503013440	OE 127 GASKET		01
09	0503010351	2-425 N 3006-9B O'RING		01
10	0503011062	8-425 BACK-UP RING		01
11	0503010345	2-218 N 3006-9B O'RING		01
12	0502012227	2" X 5" RING SUPPORT		01
13	0503010952	W2-2250-500 RING		01
14	0503010039	D-2000 SCRAPER RING		01
15	0503010991	1870-2000-375-B GASKET		01
16	0503010002	1800 GREASE FITTING		01
17	0501039856	HYDRAULIC CYLINDER REPAIR KIT 2" X 5"		01





***civemasa***

**Technical Publications | Elaboration and Revision**  
LUIZ CANDIDO

[www.civemasa.com.br](http://www.civemasa.com.br)

