

# PARTS CATALOGUE

## SUGAR CANE PLANTER

**Code:**

0501090948

**Product:**

PACC-2L



**Series:**

S-0712

**Revision:**

00

**Revision Date:**

DEZEMBRO/2014




# PRODUCTS

Code	Description
0121220012	PACC 2L 0,9A1,5 RC DC 61770175
0121220015	PACC 2L 0,9A1,5 RC DC RAQ
0121220016	PACC 2L 0,9A1,5 RC S/DC BOL P400/55
0121220017	PACC 2L 0,9A1,5 RC S/DC BOL P500/60

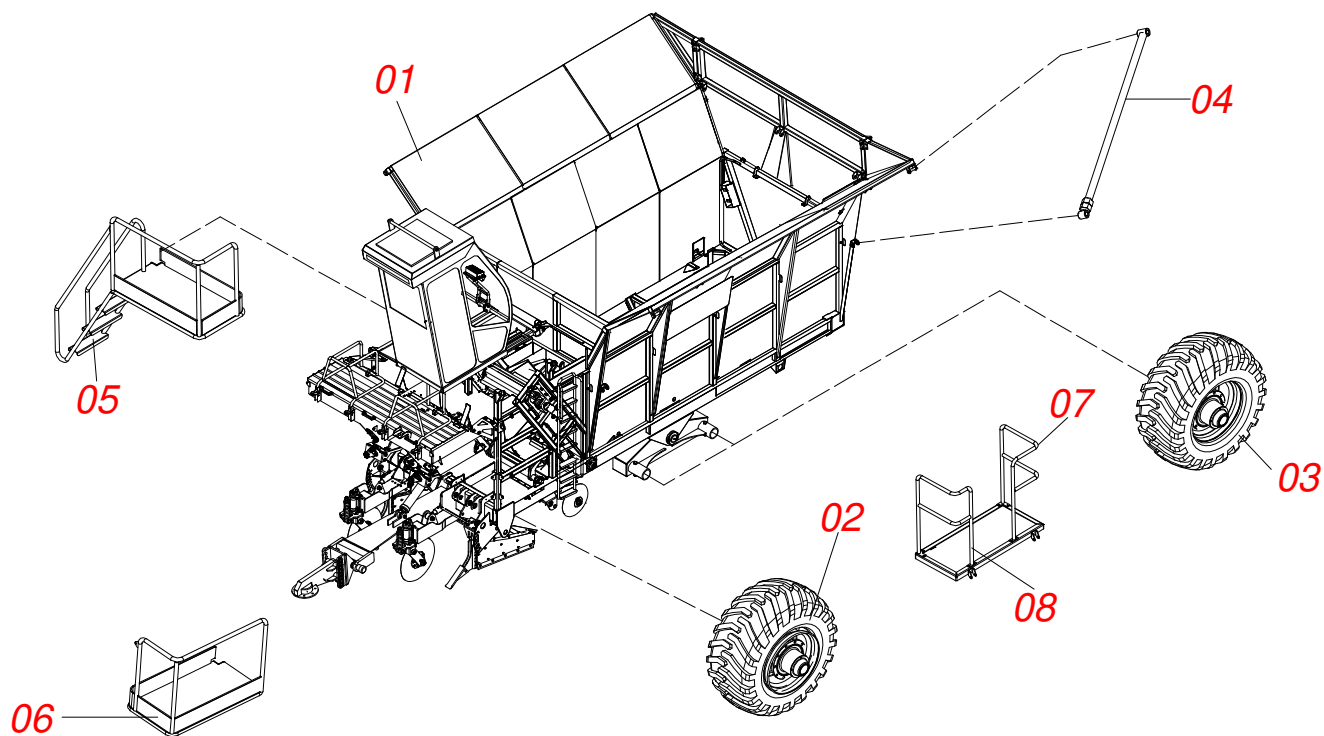
## ATTENTION: IMPORTANT

Civemasa reserves the right to improve and / or modify the technical features of its products, without obligation to do the same with those products already sold and without prior knowledge of the dealer or the consumer.



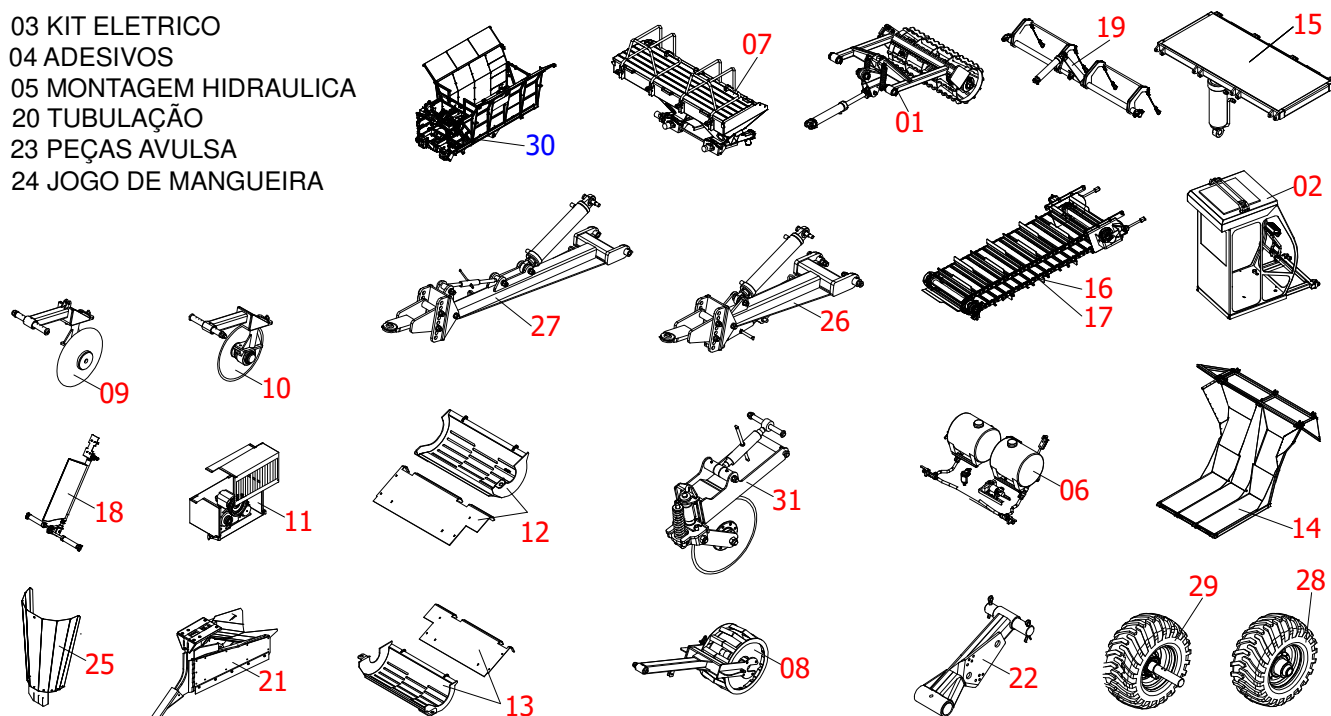
# INDEX

0121220016	PACC	.....	1
0511053541	FRAME ASSY	.....	2
0511051199	WHEEL	.....	3
0511048970	PRESS ROLLER	.....	4
0511044476	BEARING	.....	5
0511046217	HYDRAULIC CYLINDER	.....	6
0511050117	CAB ASSY	.....	7
0511050473	KIT ELECTRICAL	.....	8
0511050475	ADHESIVE LABEL	.....	9
0511050477	HYDRAULIC ASSEMBLY	.....	10
0511045825	HYDRAULIC CYLINDER	.....	11
0511047916	HYDRAULIC CYLINDER	.....	12
0511045826	CILINDER ROCKER	.....	13
0511050480	FERTILIZER ASSY	.....	14
0909093623	ASSY STARTER DA PUMP	.....	15
0511050481	BOX FERTILIZER ASSY	.....	16
0511049006	FERTILIZER BOX	.....	17
0501058713	CANNON	.....	18
0511050483	ROLL COMPACTOR	.....	19
0511050484	COVERAGE RIGHT ASSY	.....	20
0501049033	BEARING	.....	21
0511050485	COVERAGE LEFT ASSY	.....	22
0501049034	OIL BATH BEARING	.....	23
0511050487	SET AR ASSY	.....	24
0511050488	TROUGH COMPLETE RIGHT	.....	25
0511050489	TROUGH COMPLETE LEFT	.....	26
0511050492	RAMP REAR ASSY	.....	27
0511050493	RAMP FRONT ASSY	.....	28
0511050495	LEFT DRIVE THE TRANSPORT	.....	29
0511050496	RIGHT DRIVE THE TRANSPORT	.....	30
0511050497	DEFLECTOR	.....	31
0511048262	HYDRAULIC CYLINDER	.....	32
0511050498	JOINT SYSTEM	.....	33
0501059917	HYDRAULIC CYLINDER	.....	34
0511050500	SUBSOILER	.....	35
0511046232	SUBSOILER	.....	36
0511051219	ARM	.....	37
0511051223	ASSEMBLY	.....	38
0511053164	REAR SLIDES	.....	39
0511053540	DRAWBAR ASSY	.....	40
0511051225	DRAWBAR ASSY	.....	41
0511053546	RIGHT TANDEN ASSY	.....	42
0511053545	WHEEL HUB ASSEMBLY	.....	43
0511053547	LEFT TANDEN ASSY	.....	44
0511053544	WHEEL HUB ASSEMBLY	.....	45
0511049743	DISC SUPPORT ASSEMBLY	.....	46
0511043642	23" BLADE DISC ASSY	.....	47
0501052013	24" BLADE DISC WITH HOUSING	.....	48
0521060772	SET ARM REGULADOR	.....	49
0521063959	FRAME SPACING MULTIPLE	.....	50
0503061997	WHEEL AND TIRE ASSY	.....	51
0503061892	WHEEL AND TIRE ASSY	.....	52

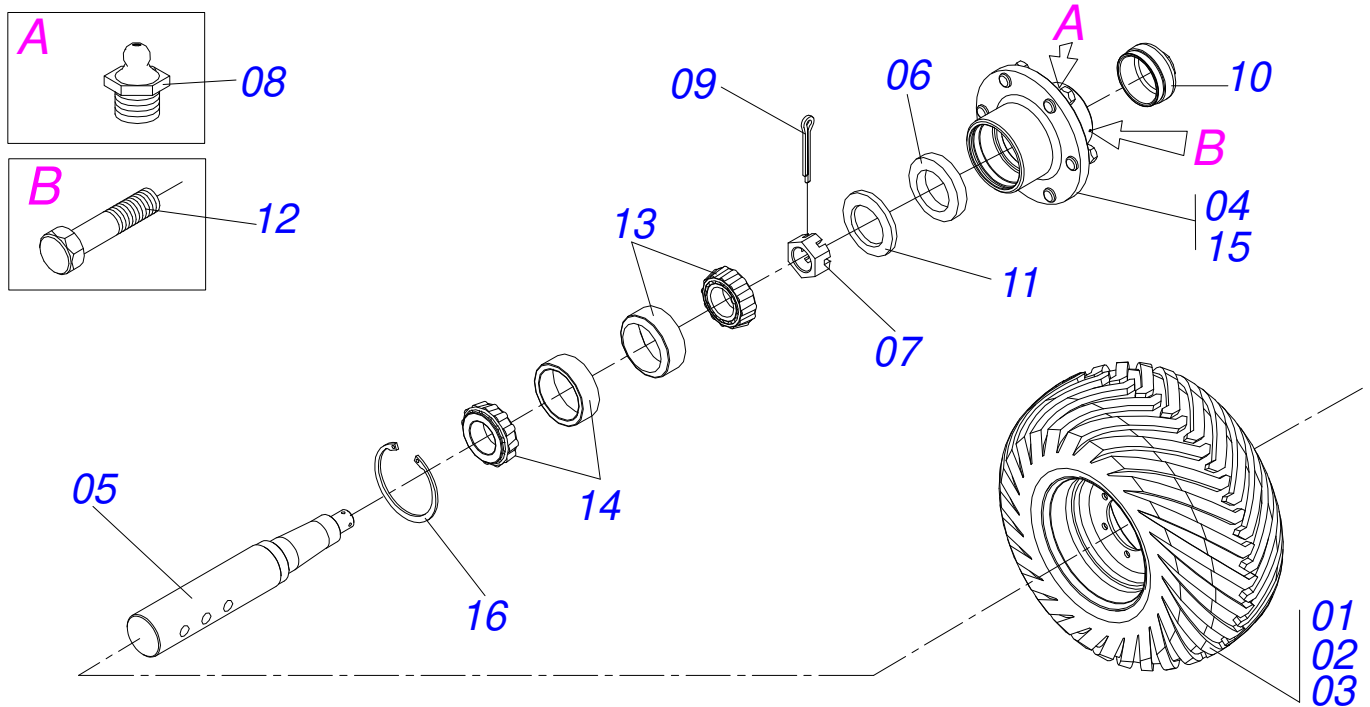


Item	Code	Description	See page	QT
001	0511053541	FRAME ASSY	2	01
002	0511051199	WHEEL	3	02
003	0503061997	WHEEL AND TIRE ASSY	51	04
004	0521060772	SET ARM REGULADOR	49	04
005	0521061889	RIGHT PLATAFORM		01
006	0521061890	LEFT PLATAFORM		01
007	0521061919	HANDRAIL		01
008	0521061920	HANDRAIL SET		01

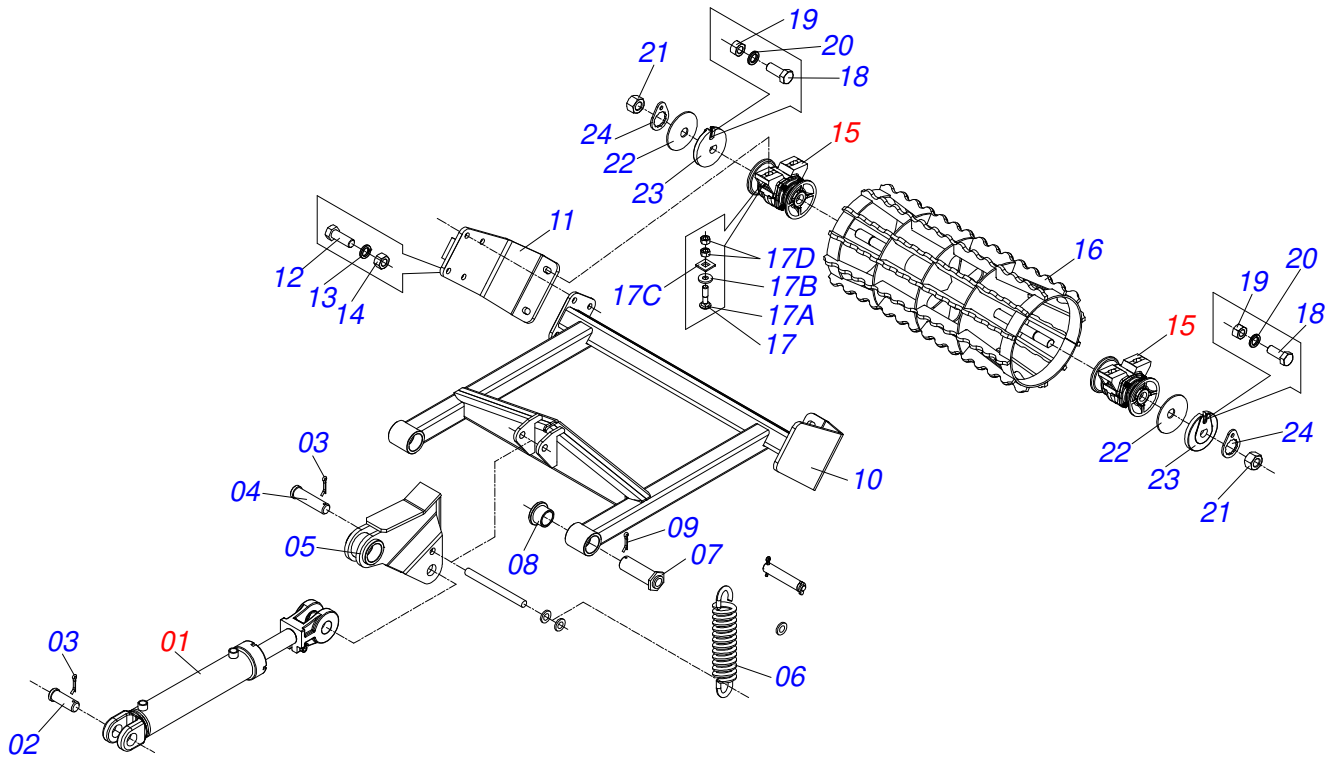
03 KIT ELETRICO  
04 ADESIVOS  
05 MONTAGEM HIDRAULICA  
20 TUBULAÇÃO  
23 PEÇAS AVULSA  
24 JOGO DE MANGUEIRA



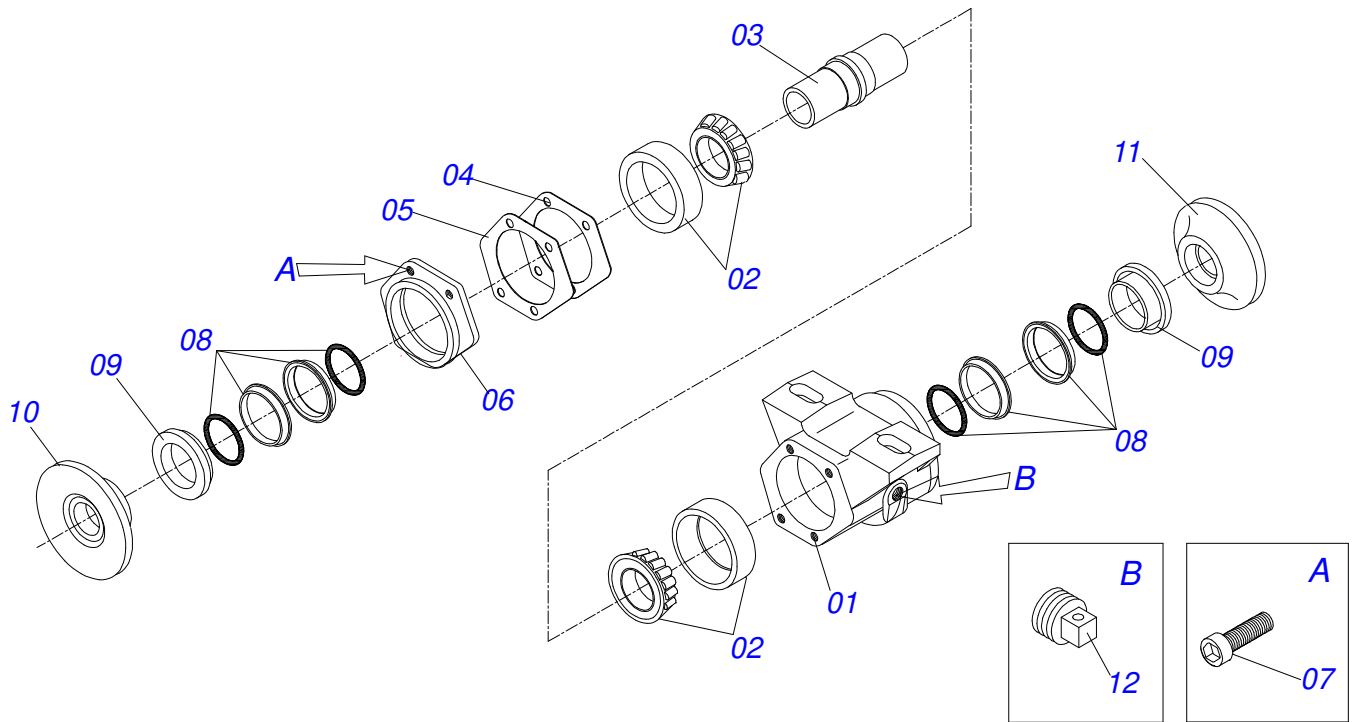
Item	Code	Description	See page	QT
001	0511048970	PRESS ROLLER	4	01
002	0511050117	CAB ASSY	7	01
003	0511050473	KIT ELECTRICAL	8	01
004	0511050475	ADHESIVE LABEL	9	01
005	0511050477	HYDRAULIC ASSEMBLY	10	01
006	0511050480	FERTILIZER ASSY	14	01
007	0511050481	BOX FERTILIZER ASSY	16	01
008	0511050483	ROLL COMPACTOR	19	02
009	0511050484	COVERAGE RIGHT ASSY	20	02
010	0511050485	COVERAGE LEFT ASSY	22	02
011	0511050487	SET AR ASSY	24	01
012	0511050488	TROUGH COMPLETE RIGHT	25	01
013	0511050489	TROUGH COMPLETE LEFT	26	01
014	0511050492	RAMP REAR ASSY	27	01
015	0511050493	RAMP FRONT ASSY	28	01
016	0511050495	LEFT DRIVE THE TRANSPORT	29	01
017	0511050496	RIGHT DRIVE THE TRANSPORT	30	01
018	0511050497	DEFLECTOR	31	01
019	0511050498	JOINT SYSTEM	33	01
020	0511050499	TUBE		01
021	0511050500	SUBSOILER	35	02
022	0511051219	ARM	37	02
023	0511051223	ASSEMBLY	38	01
024	0511053008	ASSEMBLY		01
025	0511053164	REAR SLIDES	39	02
026	0511053540	DRAWBAR ASSY	40	01
027	0511051225	DRAWBAR ASSY	41	01
028	0511053546	RIGHT TANDEN ASSY	42	01
029	0511053547	LEFT TANDEN ASSY	44	01
030	0521063959	FRAME SPACING MULTIPLE	50	01
031	0511049743	DISC SUPPORT ASSEMBLY	46	02



Item	Code	Description	See page	QT
01	0503061868	14L WHEEL AND TIRE		01
02	0503012112	400/60 - 15.5 TR 15 INNER TIRE		01
03	0503013119	CANVAS TIRE		01
04	0511051197	JOINT CUBE OF THE WHEEL SET		01
05	0561019334	C7076-3R/1/1 AXLE		01
06	0503010009	RETAINER 00573-B		01
07	0503012457	UNF 1.1/4" CASTLE NUT		01
08	0503010691	1/4" GREASE FITTING		01
09	0503010067	3/16" X 2.1/2" COTTER PIN		01
10	0502011647	COVER		01
11	0521013882	WASHER		01
12	0503010298	1/4" X 1/2" BOLT		01
13	0503010006	32210 ROLLER BEARING		01
14	0503010005	32212 ROLLER BEARING		01
15	0501110766	HUB CARRYING WHEELS WITH BOLT		01
16	0503012723	502115 RENO RING		01

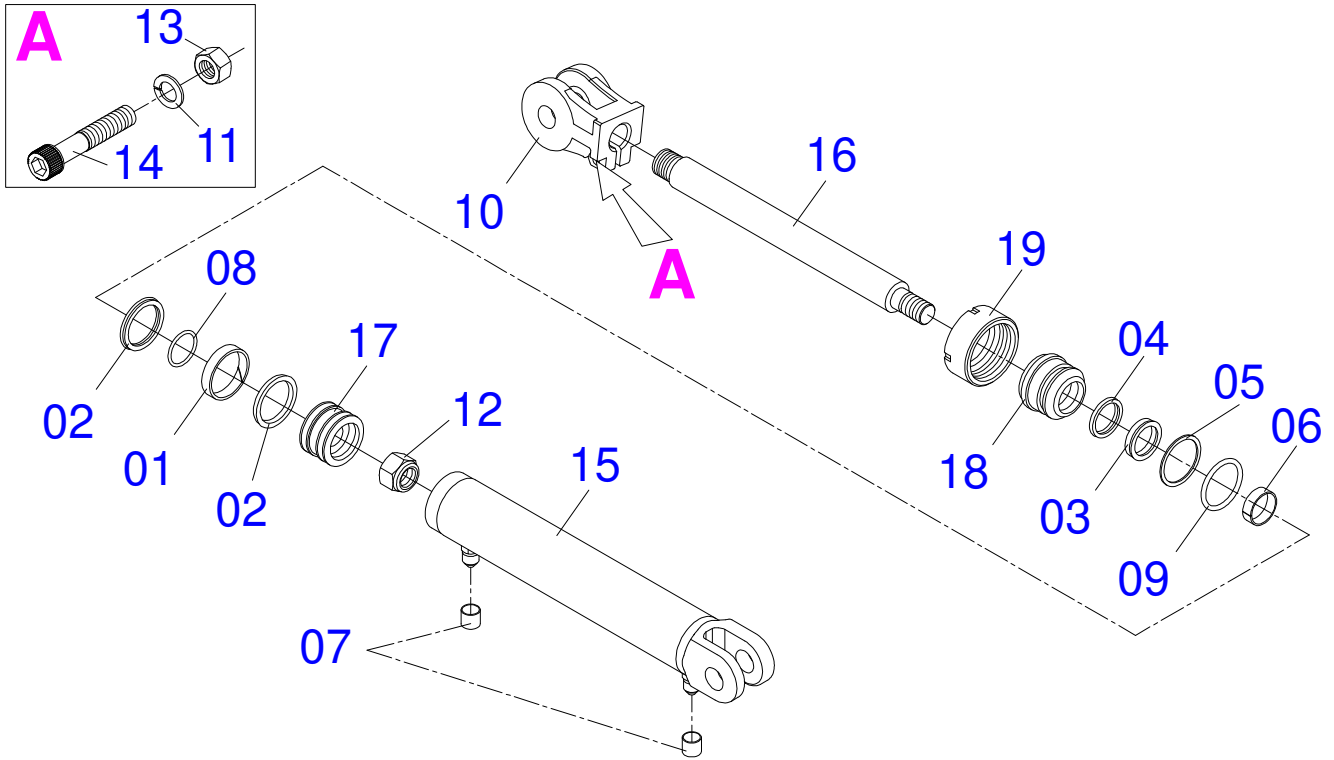


Item	Code	Description	See page	QT
001	0511046217	HYDRAULIC CYLINDER	6	01
002	0521019133	PIN WITH HEAD PN-358 3094456		01
003	0503010523	1/4" X 2" COTTERPIN		02
004	0551019813	PIN WITH HEAD PN-563 3095610		01
005	0511069879	EYELET		01
006	0503032948	SPRING		02
007	0511069878	PIN ROLLER		03
008	0551019800	SLEEVE NYLON		06
009	0503010010	1/4" X 2.1/2" COTTERPIN		03
010	0511069881	ARM ROLLER		01
011	0511069433	BREAK ROLLER BRACKET		01
012	0503010232	5/8" X 1.3/4" BOLT		04
013	0503010027	5/8" SPRING WASHER		04
014	0503010013	5/8" NUT		04
015	0511044476	BEARING	5	02
016	0511069880	ROLLER COMPACTOR		01
017	0501048788	IMPLEMENT PARTS ASSY 5/8 UNC X 2.1/2 CA		04
017A	0501014177	5/8" X 2-1/2" BOLT		04
017B	0501010947	5/8 NUT LOCK		04
017C	0501012140	FLAT WASHER		04
017D	0503010013	5/8" NUT		04
018	0501010161	1/2" X 1.1/4" BOLT		02
019	0503010060	1/2" NUT		02
020	0503010019	1/2" SPRING WASHER		02
021	0501010087	1.1/4" NUT		02
022	0531018575	ARRUELA CONCAVA 33,50X 140X 4,75		02
023	0502010835	1-1/4" EXTERNAL AXLE WASHER		02
024	0501010455	1.1/4" NUT LOCK		02

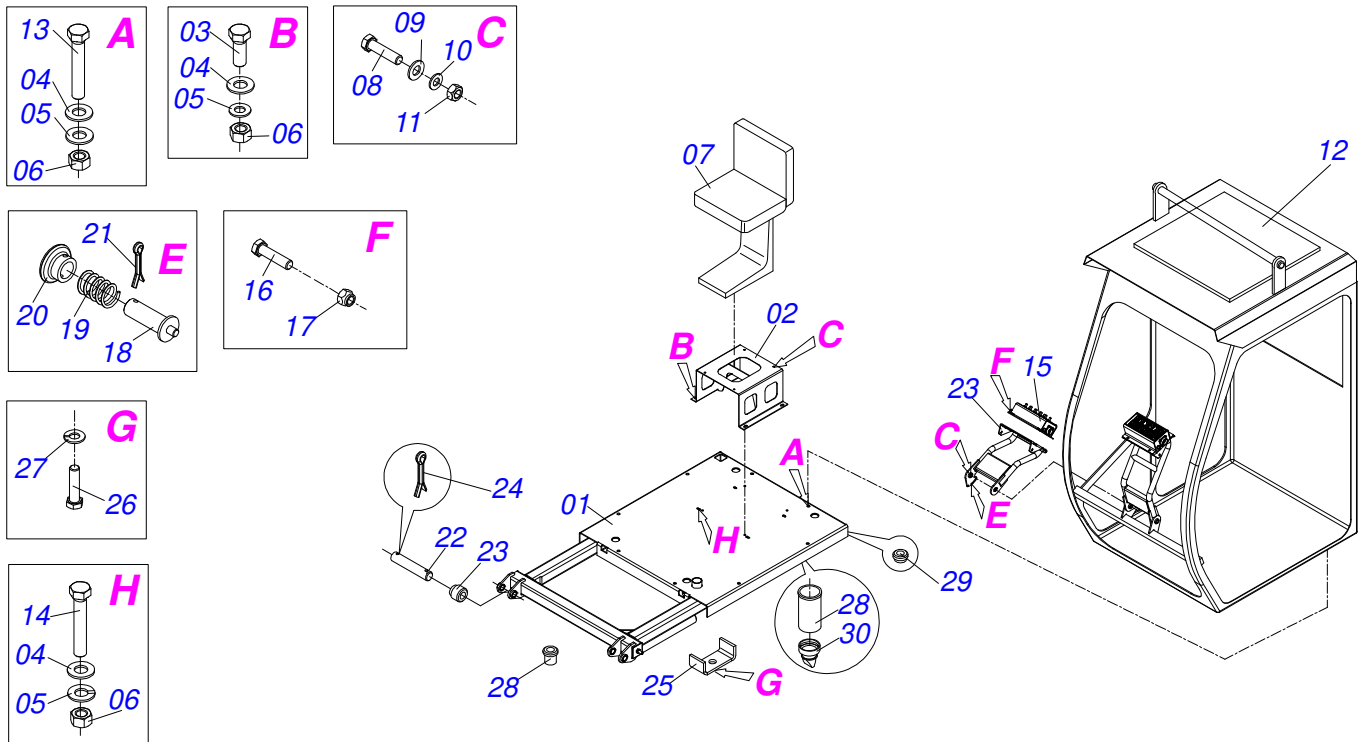


Item	Code	Description	See page	QT
001	0502010070	OUTER FLANGE		01
002	0502010071	INNER FLANGE		01
003	0502010539	HOUSING DM		01
004	0502010541	SEAL RETAINER		02
005	0502020424	HOUSING CAP		01
006	0502040218	AXLE		01
007	0503010111	30210 ROLLER BEARING		02
008	0503010134	3/8" X 1" BOLT		04
009	0503010856	OIL PLUG		01
010	0503030013	4.4" X 3.5" X 0.004" JOINT		03
011	0503030026	SEAL LP JB-253		02
012	0503030684	4.4" X 3.5" X 0.004" JOINT		02
013	0521160040	PAINTING BLACK		00
014	3402301247	MINERAL OIL GREASE		00

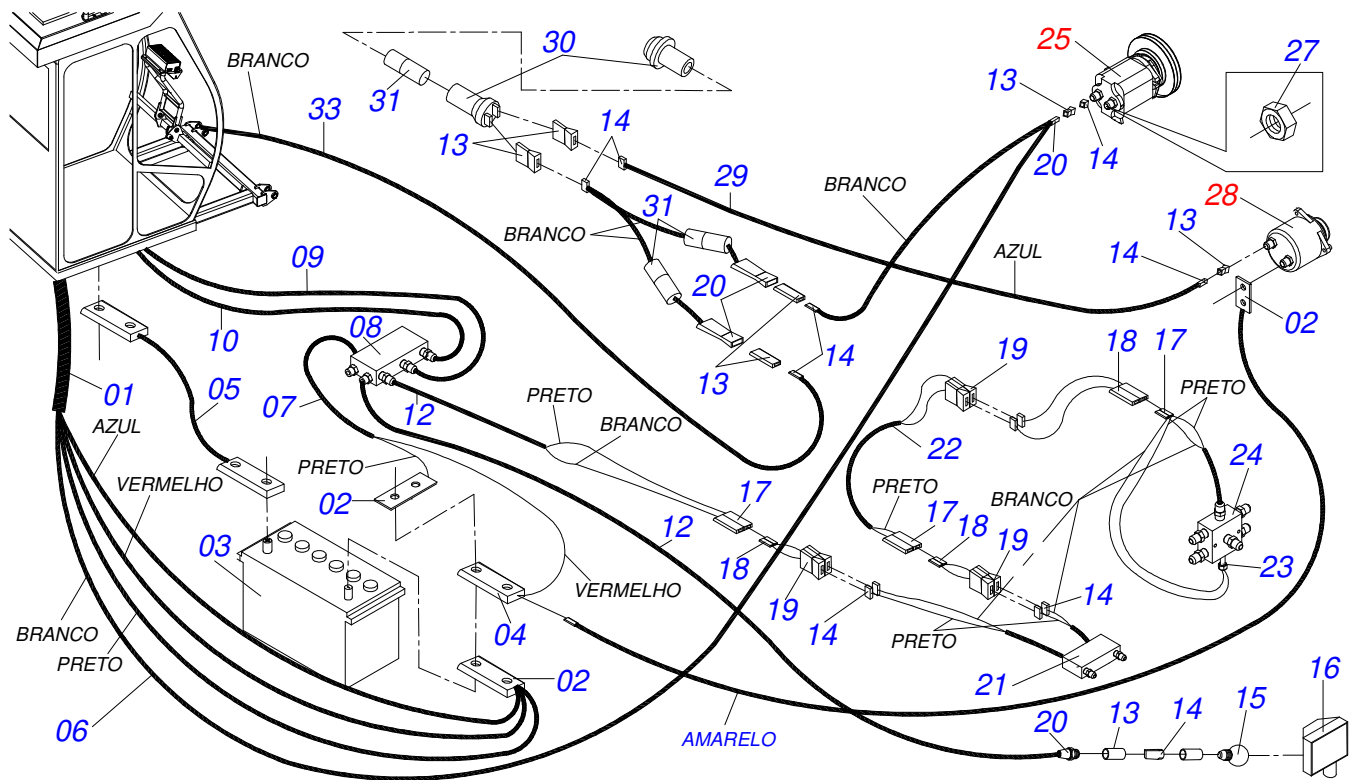




Item	Code	Description	See page	QT
001	0503010973	W2-2500-500 PK O'RING G.E		01
002	0503010160	2500 2000 GASKET		02
003	0503010989	1870-1500-375-B GASKET		01
004	0503010163	D-1500 SCRAPER RING		01
005	0503011058	8-330 BACK-UP RING		01
006	0503010970	W1-1650-500 PK O'RING G.E		01
007	0503030384	CON PLUG N-001		02
008	0503010285	2-222 N 3006-9B O'RING		01
009	0503010161	2-330 N 3006 9B O'RING		01
010	0502040747	32.54 CLEVIS CLAMP		01
011	0503010025	3/8" SPRING WASHER		01
012	0503010063	1" SELF-ALIGNING NUT		01
013	0503010026	3/8" NUT		01
014	0503011094	3/8" X 2" BOLT		01
015	0511068996	CYLINDER CASE		01
016	0551016624	ROD		01
017	0502010783	1.5" X 2.5" PISTON		01
018	0502010780	RING SUPPORT		01
019	0502010471	MOBILE COVER		01
020	0521160083	PAINTING BLACK		00



Item	Code	Description	See page	QT
001	0511069898	CABIN FLOOR		01
002	0501077646	BANK FIXER SET		01
003	0503010237	3/8" X 1" BOLT		04
004	0501010984	FLAT WASHER		10
005	0503010025	3/8" SPRING WASHER		12
006	0503010026	3/8" NUT		12
007	0503013227	SEAT		01
008	0503010240	5/16" X 3/4" BOLT		04
009	0501011517	FLAT WASHER		08
010	0503011444	SPRING WASHER		04
011	0503010337	5/16" NUT		04
012	0501057917	CAB AIR CONDITIONING		01
013	0503010765	3/8" X 3" BOLT		06
014	0503010849	3/8" X 1-1/2" BOLT		02
015	0521060041	SET ELECTRICAL BOX		01
016	0503010740	BOLT 1/2 UNC X 2 CS G.5 ZN		02
017	0503010589	1/2" UNC SELF ADJUSTING NUT		02
018	0551016729	PIN PACC 200606 31775748		01
019	0503032961	SPRING		01
020	0551016768	HANDLE		01
021	0503010257	1/8" X 1" COTTERPIN		01
022	0551019905	PIN SEM HEAD PN 564 3095675		02
023	0551016893	BUSHING NYLON		04
024	0503010577	3/16" X 1-1/4" COTTERPIN		04
025	0541019763	FIXER OF THE TUBE		01
026	0501010155	1/2" X 1" BOLT		01
027	0503010019	1/2" SPRING WASHER		01
028	0551016894	SLEEVE NYLON PACC 200032 31776719		02
029	0551016895	SUPER WASHER (PACC)		02
030	0503014962	VALVE		04

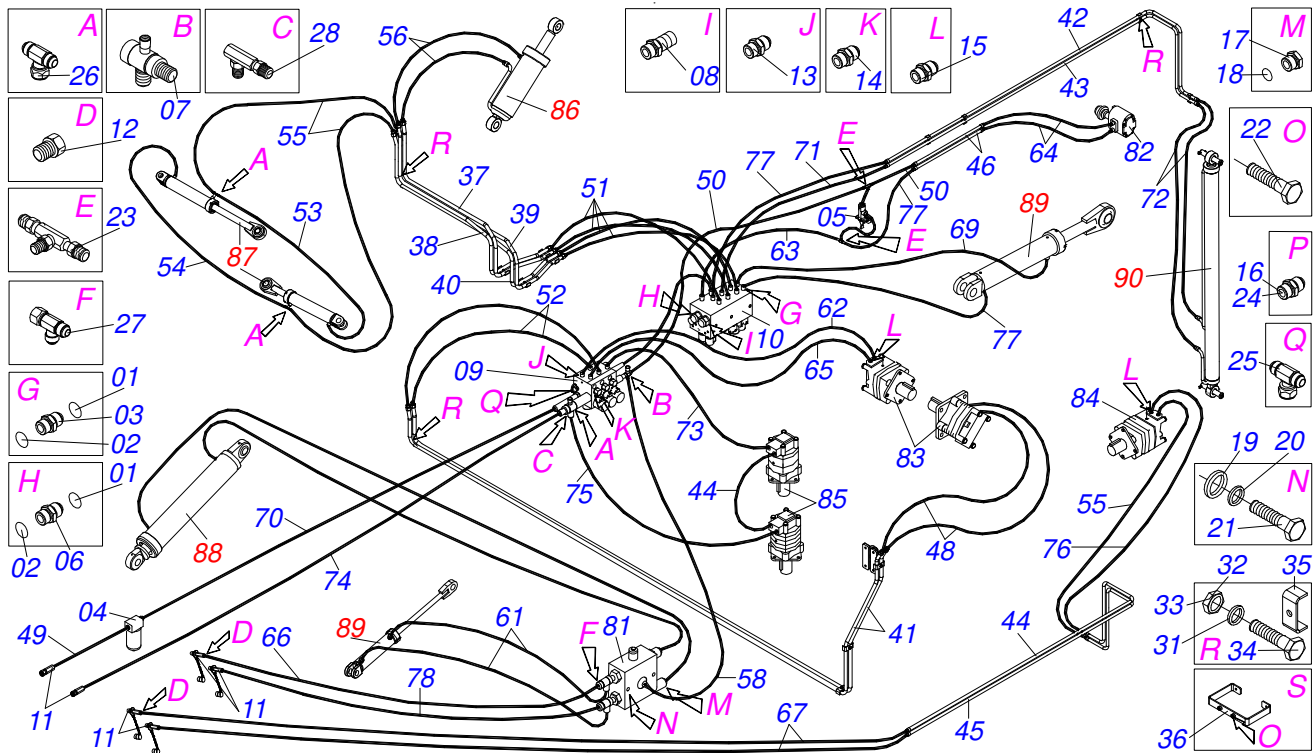


Item	Code	Description	See page	QT
001	0503013527	CLAMP ZIPER	30	
002	0503014745	2 X 2,5 MM ELECTRIC CABLE	05	
003	0503013224	CABLE PP	15	
004	0503014046	CABLE PP	03	
005	0503015961	CABLE PP	03	
006	0503016255	PLUG	05	
007	0503015451	FLEXIBLE CABLE	05	
008	0503014428	5-10MM CABLE GLAND	03	
009	0503014045	CABLE CORD PLASTIC	14	
010	0503013566	PARKER PLUG	01	
011	0503013573	10-14MM CABLE GLAND	01	
012	0503015497	CABLE PP	05	
013	0503015441	CABLE PP	01	
014	0503013843	ASSY	01	
015	0503014137	GLASS FUSE	03	
016	0503015442	WIRE ROPE	01	
017	0503015443	WIRE ROPE	01	
018	0503015444	BATTERY CONNECTOR	01	
019	0503014592	RING CONNECTOR	01	
020	0503015445	DIODE 11N4001 1G139100	02	
021	0503014812	LAMP 69	01	
022	0503014813	FLASHLIGHT	01	
023	0503015482	CONNECTOR	02	
024	0503014278	MP100 PLASTIC PROTECTION SPRING FOR 3/4 HOSE	05	
025	0503015446	SPEEDOMETER WITH HORIMETRO	01	
026	0503014954	BATTERY	01	
027	0503014591	RING CONNECTOR	03	
028	0503015423	SET CONTROL	01	
029	0551017593	SLEEVE SENSOR	06	
030	0503014577	CONNECTOR	03	
031	0503014465	CONNECTOR	02	

Item	Code	Description	See page	QT
032	0503014579	CONNECTOR		02
033	0503015906	TWO-WAY MALE CONNECTOR		01
034	0503015905	TWO-WAY FEMALE MALE CONNECTOR		01
035	0503012877	HORN		01
036	0503015392	CONNECTOR		02
037	0503015393	CONNECTOR WITH LOCK		02
038	0503012894	CONNECTOR 2 VIAS		01
039	0503013178	CONNECTOR 2 SIDES TERMINAL MALE		01
040	0503015447	ELECTRICAL BOX		01
041	0503015448	CONDUCTOR		05
042	0503032811	FLASHLIGHT		02
043	0503014302	LIGHTHOUSE MILE F-15		01
044	0503032812	1141 12V LAMP		04
045	0503032813	67 12V 5W LAMP		02
046	0503013639	H3 55W LAMP		01
047	0503012900	HOOD ISULATION		08
048	0503032514	RELAY		01
049	0503013151	ELECTRIC CONNECTION		01
050	0503013782	CONNECTOR (SINDAL)		05
051	0503014210	INSULATING TAPE		01
052	0503013640	WRENCH		01
053	3505153343	TUBE		0,5MT
054	3505151602	TUBE		0,05MT
055	3504156452	TUBE		0,1MT

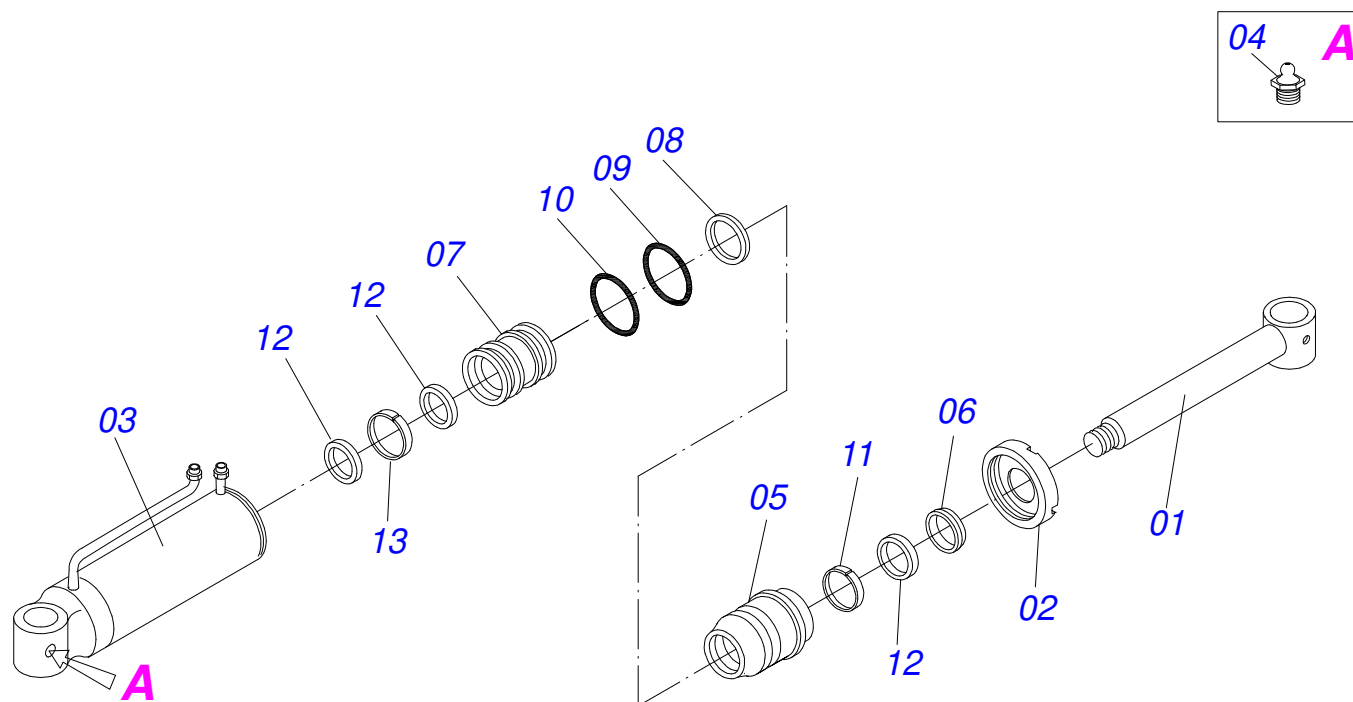


Item	Code	Description	See page	QT
001	0503031428	READ MANUAL DECAL		01
002	0503033155	ATTENTION BADGE		02
003	0503032815	BADGE DANGER		01
004	0503031827	LUBRICATE AND RETIGHTEN DAILY DECAL		02
005	0503032875	BADGE DANGER		02
006	0503032876	ATTENTION BADGE		02
007	0503013229	REFLECTIVE SIDE BAND		14
008	0503033178	BADGE DANGER		02
009	0503032930	ADHESIVE LABEL DANGER		04
010	0503033179	ADHESIVE		02
011	0503033180	ADHESIVE		02
012	0503033331	CIVEMASA/PACC 500 X 1110 BADGE		02
013	0503033436	CIVEMASA/PACC 500 X 920 BADGE		01
014	0503033182	PACC 2L 175 X 800 BADGE		01
015	0503033183	CIVEMASA 200 X 800 BADGE		01
016	0503013166	ADHESIVE		01
017	0503010001	3.2 X 5.5 RIVET		04



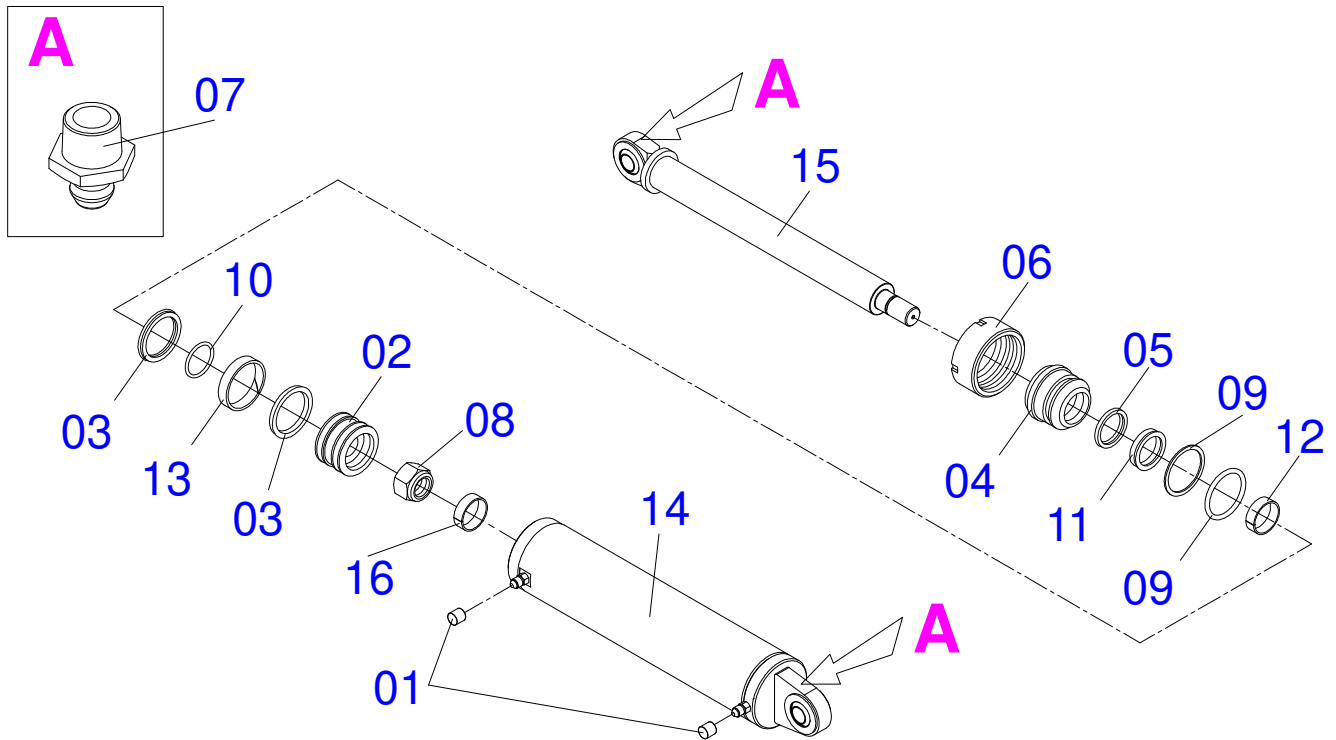
Item	Code	Description	See page	QT
001	0503010190	2-114 N 3006-9B O'RING		02
002	0503010045	O'RING		13
003	0501010589	R. 1.1/16UN SEXT 1.1/4 X 52 NIPPLE		06
004	0503014686	FILTER		01
005	0503015420	VALVE ANTI-CAVITACAO CV10208TN5		01
006	0503015285	QUICK HITCH		04
007	0503014834	ADAPTER		02
008	0503014862	PLUG		01
009	0503015553	BLOCK WITH MOTOR		01
010	0503062213	BLOCK		01
011	0501053834	MALE QUICK COUPLER WITH CAP - 1/2 NPT		05
012	0551015555	ADAPTER "T"		04
013	0501010590	NIPPLE		03
014	0501011460	7/8 NF REDUCTION NIPPLE		02
015	0511010111	7/8" NIPPLE		02
016	0551011253	R1.1/16 JICX7/8 SAE S1.1/8X50 NIPPLE		10
017	0503014751	3/4" UNF 3/4" PVC ADAPTER		02
018	0503010285	2-222 N 3006-9B O'RING		02
019	0501010984	FLAT WASHER		04
020	0503010025	3/8" SPRING WASHER		06
021	0503013897	M10 X 1,25 X 25 BOLT		04
022	0503014823	M 12 X 1,75 X 15 BOLT		05
023	0503034010	CONNECTION MALE		02
024	0551016880	R 1.1/16JIC X 1.1/4 BSP NIPPLE		02
025	0511069371	LEVER ADAPTER		02
026	0511069891	TE		01
027	0521060987	ADAPTER 7/16"		01
028	0503013535	ADAPTER T TEE JIC 1.1/16		02
029	0503012341	T 7/8" ADAPOR GIRAT NUT		02
030	0511050499	TUBE		01
031	0503010019	1/2" SPRING WASHER		23

Item	Code	Description	See page	QT
032	0503010026	3/8" NUT		02
033	0503010751	C3/8" X 1.1/4" HEX BOLT G.5		02
034	0501010161	1/2" X 1.1/4" BOLT		23
035	0541019763	FIXER OF THE TUBE		23
036	0521061899	SUPPORT TUBE		01
037	0521061904	CYLINDRICAL TUBE CENTRAL		01
038	0521061903	CYLINDRICAL TUBE CENTRAL		01
039	0521061902	PACC TUBE		01
040	0521061901	PACC TUBE		01
041	0521061900	TUBE MOTOR HIDRAULIC		02
042	0521060385	REAR CYLINDER TUBE		01
043	0521060384	REAR CYLINDER TUBE		01
044	0521060383	HYDRAULIC TUBE		01
045	0521060382	HYDRAULIC TUBE		01
046	0521060381	TUBE AIR CONDITIONING		02
047	0511053008	ASSEMBLY		01
048	0501081049	3/4" X 700 TC-TC HOSE		02
049	0501081522	3/4 X 4300 TC-TM HOSE		01
050	0501081348	3/4 X 630 TR-TC HOSE		02
051	0501080186	3/4 X 650 TR-TR 1G138636 HOSE		04
052	0501080126	3/4 X 950 TR-TR 1G138638 HOSE		02
053	0501080136	3/4 X 1400 TR-TC 1G138642 HOSE		01
054	0501080099	3/4 X 1300 TR-TC 1G138643 HOSE		01
055	0501081314	3/4 X 800 TR-TC 1G138644 HOSE		03
056	0501081349	1/2 X 1050 TC-TC 180G 1G138646 HOSE		02
057	0501080195	HOSE 1/2 X 950		02
058	0501080060	1/2 X 1600 TR-TC HOSE		01
059	0501080621	1/2 X 1200 TC-TC HOSE		01
060	0501080092	1/2" X 700 TR-TC HOSE		01
061	0501081317	1/4 X 1100 TR-TC 1G138655 HOSE		02
062	0501081318	1/4 X 4200 TR-TC 1G138656 HOSE		01
063	0501081313	3/4 X 300 TR-TR 1G138845 HOSE		02
064	0501081368	3/4 X 700 TC-TC 90G 1G139240 HOSE		02
065	0501081372	HOSE 1/4 X 7000 TR-TC 1G139269		01
066	0501081407	1/2 X 3100 TR-TC HOSE		01
067	0501081788	3/4 X 6000 TR-TM HOSE		02
068	0501081789	3/4 X 4800 TC-TM HOSE		01
069	0501080393	3/8 X 2200 TC-TC HOSE		01
070	0501081341	3/4 X 1300 TR-TR 1G140082 HOSE		02
071	0501081347	3/4 X 780 TR-TR HOSE		01
072	0501080019	3/4 X 1000 TR-TC HOSE		02
073	0501080134	HOSE 1/2 X 1600 TC-TC		01
074	0501081522	3/4 X 4300 TC-TM HOSE		01
075	0501080495	1/2 X 2500 TR-TC HOSE		01
076	0501080100	3/4 X 1200 TC-TC HOSE		02
077	0501081320	3/4 X 600 TR-TR HOSE		01
078	0501080137	HOSE 1/2 X 3000 TC-TC		01
079	0501080437	3/8 X 1900 TC-TC HOSE		01
080	0501080176	3/4 X 800 TR-TR HOSE		01
081	0503014847	FLOATING BLOCK OF COMMAND		01
082	0503014783	MOTOR		01
083	0503013828	MOTOR		02
084	0511047720	DRIVE PUMP		01
085	0503014850	MOTOR FERTILIZER		02
086	0511045825	HYDRAULIC CYLINDER	11	01
087	0511046217	HYDRAULIC CYLINDER	6	02
088	0511047916	HYDRAULIC CYLINDER	12	01
089	0511046217	HYDRAULIC CYLINDER	6	02
090	0511045826	CILINDER ROCKER	13	01

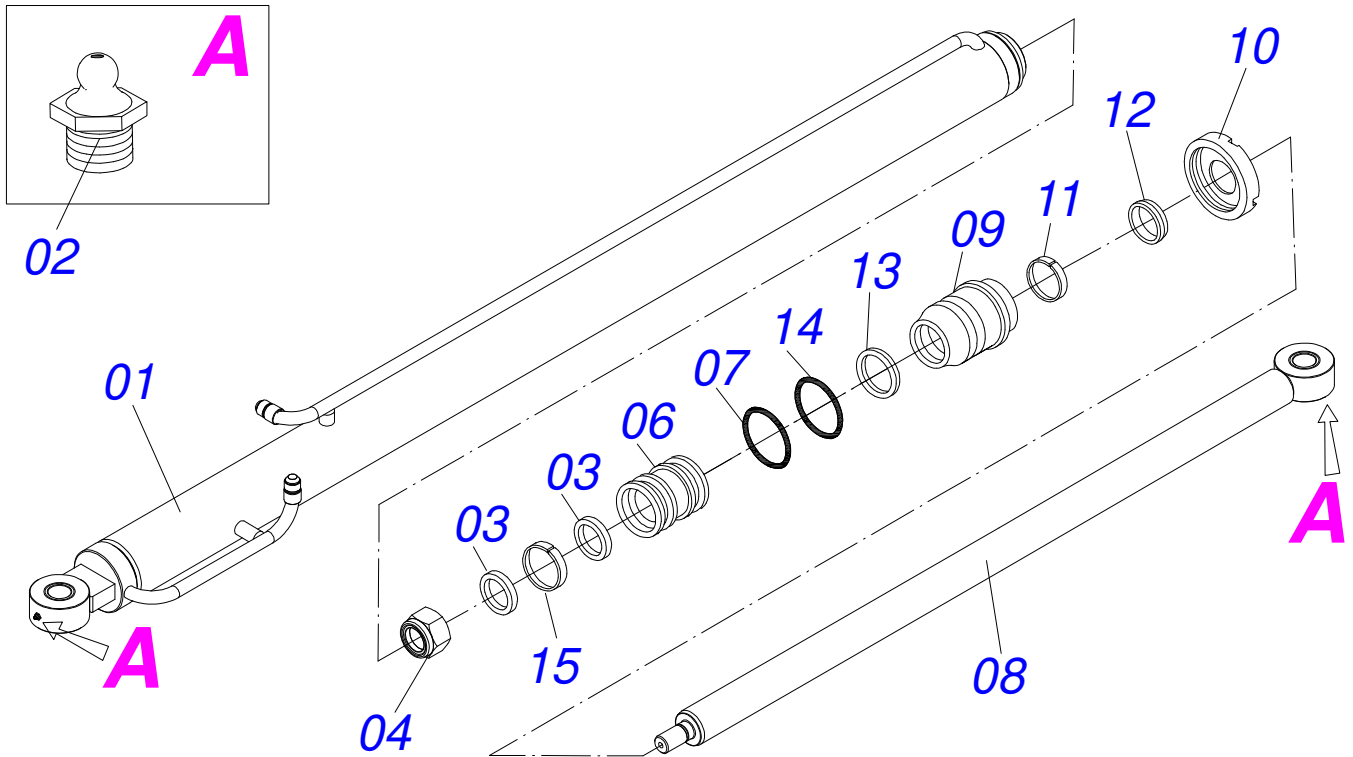


Item	Code	Description	See page	QT
001	0511068519	SCARIFIER SPINDLE SET		01
002	0502011804	CH 60400Z HEAD		01
003	0511068520	SET SHIRT		01
004	0503010002	1800 GREASE FITTING		02
005	0502011586	PISTON		01
006	0503010288	PACKING 2500-2500-375-B		01
007	0502012375	TURNBUCLE GUIDE		01
008	0503010287	D-2500 SCRAPER RING		01
009	0503012497	RING (TEFLON)		01
010	0503010704	2-357 N 3006-9B O'RING		01
011	0503010971	W2-2750-500 PK RING G.I		01
012	0503012825	RING (TEFLON) CH 61100		03
013	0503012791	RUBBER RING		02

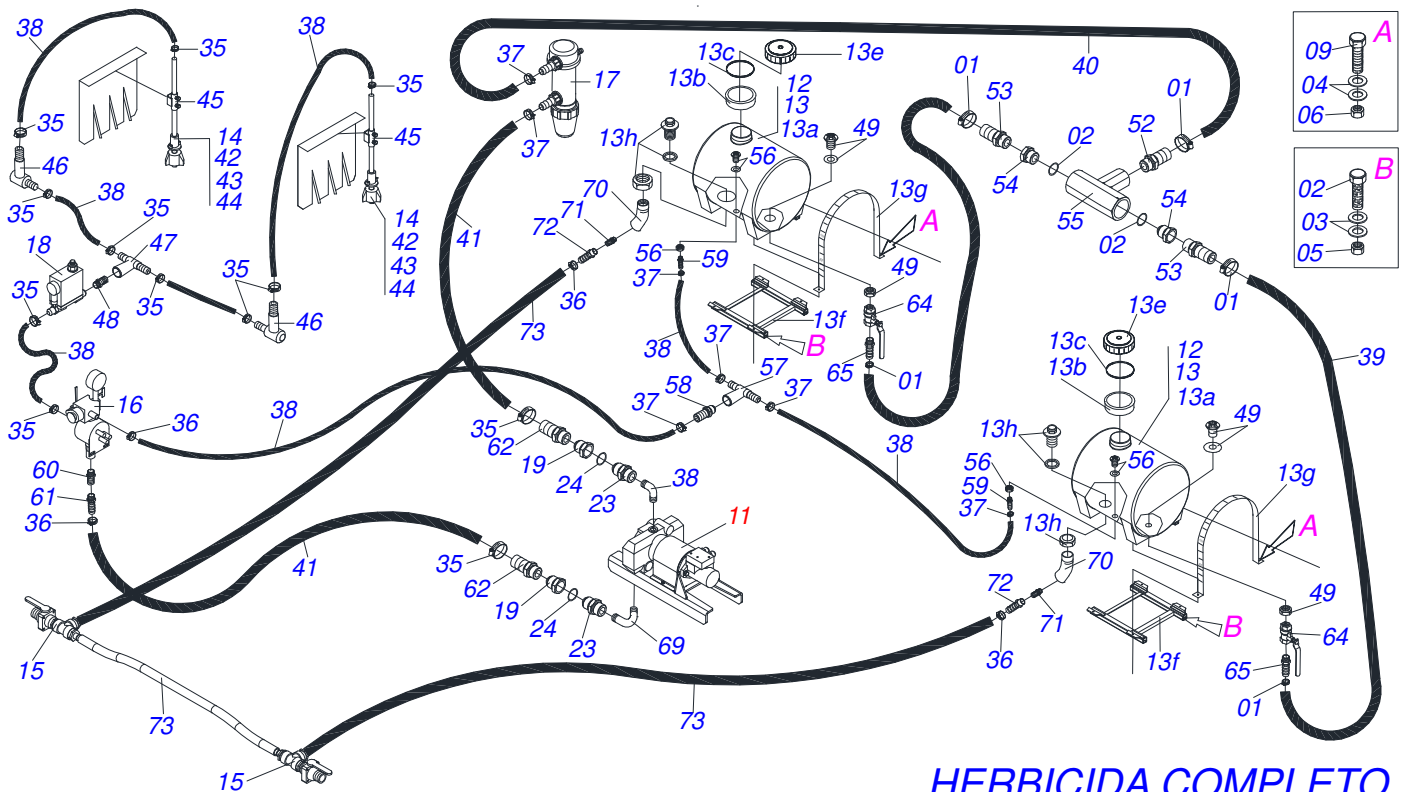




Item	Code	Description	See page	QT
001	0503030385	CYLINDER PLUG N-002		02
002	0502012597	PISTON		01
003	0503010971	W2-2750-500 PK RING G.I		02
004	0502012598	RING SUPPORT		01
005	0503013440	OE 127 GASKET		01
006	0502010382	5" END CAP		01
007	0503010002	1800 GREASE FITTING		02
008	0503010290	SELF ADJUSTING 1.1/2" UNF NUT		01
009	0503010974	W2-5000-500 RING		02
010	0503010285	2-222 N 3006-9B O'RING		01
011	0503010288	PACKING 2500-2500-375-B		01
012	0503010351	2-425 N 3006-9B O'RING		01
013	0503011062	8-425 BACK-UP RING		01
014	0521060740	CYLINDER CASE		01
015	0521060741	TURNBUCLE		01
016	0503010287	D-2500 SCRAPER RING		01



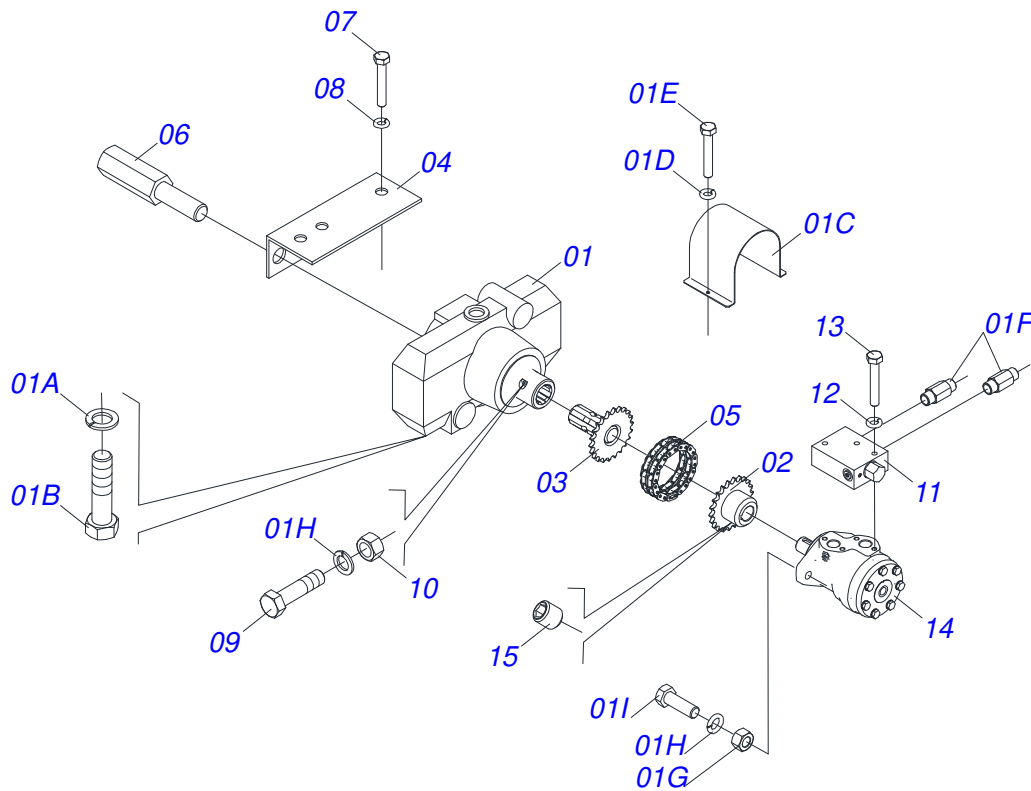
Item	Code	Description	See page	QT
001	0511068523	SET SHIRT		01
002	0503010002	1800 GREASE FITTING		01
003	0503010994	W2-4000-500 PK RING G.E		02
004	0503010817	1.1/4" SELF LOCKING NUT		01
005	0503012725	GASKET		01
006	0551016446	101.6 X 63.5 PISTON		01
007	0503010345	2-218 N 3006-9B O'RING		01
008	0511068521	SCARIFIER SPINDLE SET		01
009	0551016459	RING SUPPORT 2.1/2		01
010	0551010932	MOBILE COVER		01
011	0503010287	D-2500 SCRAPER RING		01
012	0503010288	PACKING 2500-2500-375-B		01
013	0503010971	W2-2750-500 PK RING G.I		01
014	0503010338	2-342 N 3006-9B O'RING		01
015	0503011061	8-342 BACK-UP RING		01



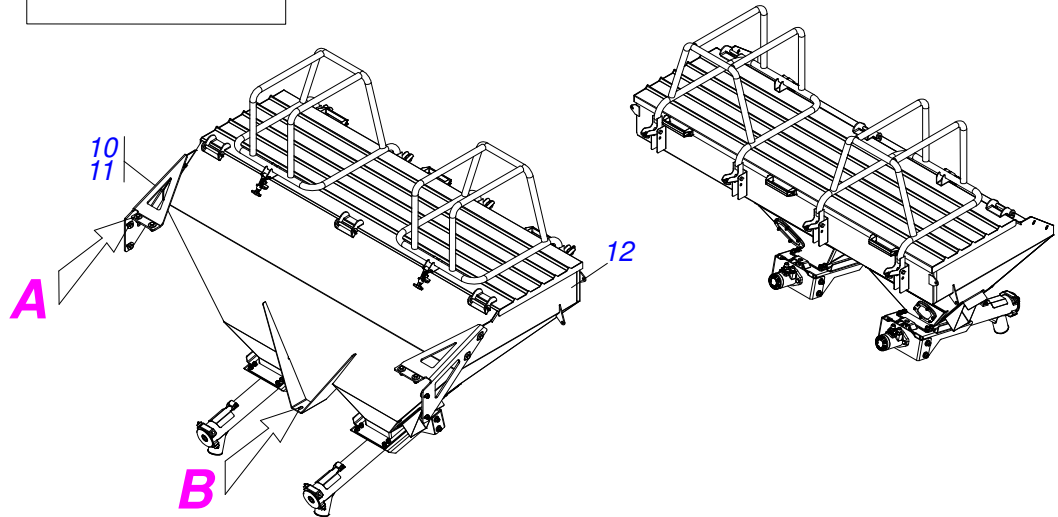
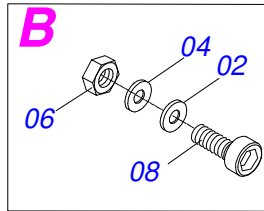
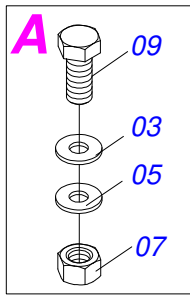
**HERBICIDA COMPLETO**

Item	Code	Description	See page	QT
001	0503014284	CLAMP		06
002	0503010045	O'RING		02
003	0503010025	3/8" SPRING WASHER		04
004	0503010019	1/2" SPRING WASHER		08
005	0503010337	5/16" NUT		02
006	0503012241	SNC 1/2" ZIN 1K03068 NUT		08
007	0503010282	1/4" X 3/4" BOLT		02
008	0503010751	C3/8" X 1.1/4" HEX BOLT G.5		04
009	0501010161	1/2" X 1.1/4" BOLT		08
010	0503011953	5/16" X 1" BOLT		02
011	0909093623	ASSY STARTER DA PUMP	15	01
012	0501059426	FERTILIZER		01
013	0511054513	3000 LITERS TANK		02
013a	0503016979	TANK		02
013b	0503012983	SCREEN NOZZLE TANK		02
013c	0503013455	2-354 O'RING		02
013e	0503016601	COVER		02
013f	0503016600	TANK BASE		02
013g	0503016599	BELT ASSEMBLY		02
013h	0503016607	CONNECTION TANK		02
013i	0503016606	ADHESIVE		02
013j	0503016605	ADHESIVE		02
014	0503015433	PULVERIZER		02
015	0503014969	REMOTE		02
016	0503013908	COMMAND JACTO		02
017	0503013906	FILTER		02
018	0503032514	RELAY		01
019	0503014261	POINT		02
020	0503010060	1/2" NUT		08
021	0503015151	BLOCK		01
022	0501010161	1/2" X 1.1/4" BOLT		08

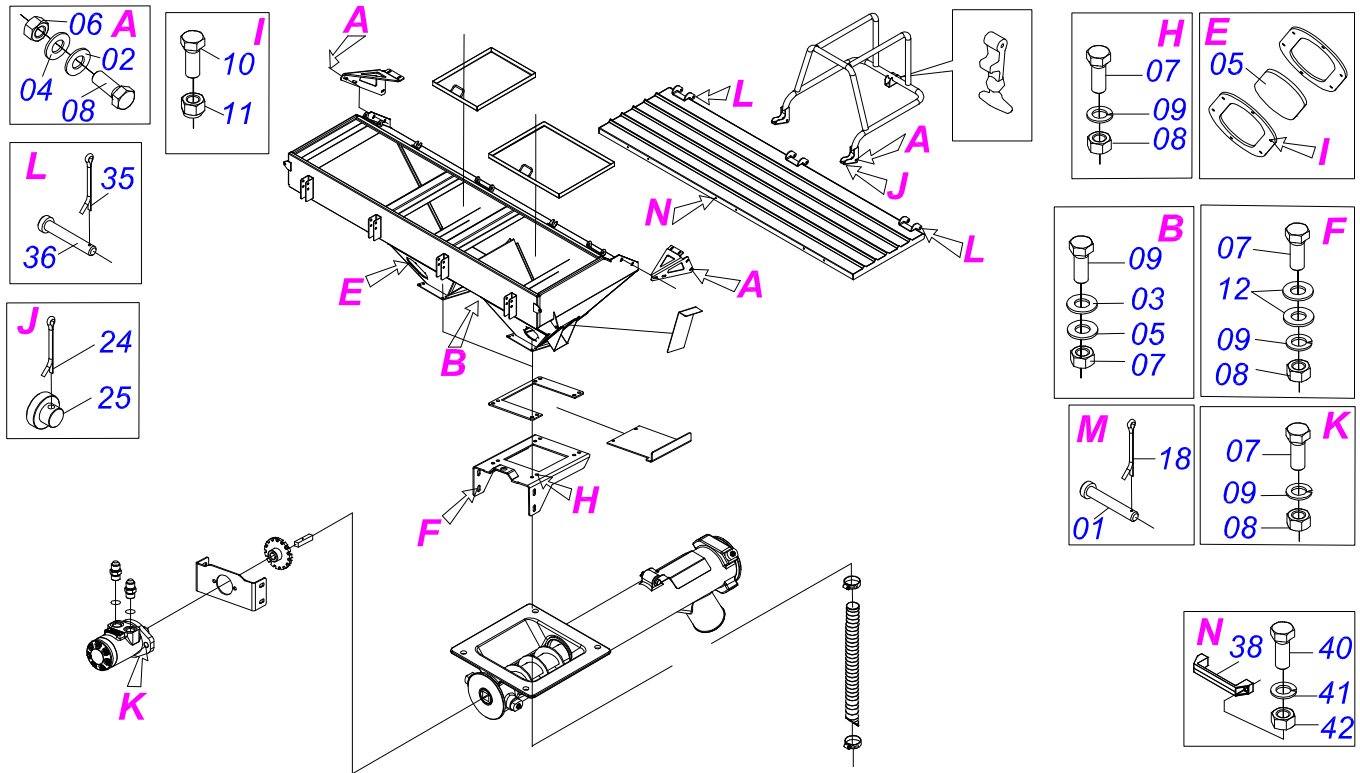
Item	Code	Description	See page	QT
023	0551011253	R1.1/16 JICX7/8 SAE S1.1/8X50 NIPPLE		02
024	0503010045	O'RING		02
025	0503010282	1/4" X 3/4" BOLT		02
026	0503010337	5/16" NUT		02
027	0503011953	5/16" X 1" BOLT		02
028	0503010144	1/4" NUT		04
029	0503010143	1/4" SPRING WASHER		04
030	0503010019	1/2" SPRING WASHER		10
031	0503010920	1/2" X 1.1/2" BOLT		02
032	0503010025	3/8" SPRING WASHER		04
033	0503010751	C3/8" X 1.1/4" HEX BOLT G.5		04
034	0503010179	5/16" ZN SPRING WASHER		05
035	0503014284	CLAMP		06
036	0503015302	CLAMP		10
037	0503013973	22 X 32CLAMP		12
038	0503014955	PVC BRAIDED HOSE 250 PSI		1,5mt
039	1163890537	HOSE PVC		12 mt
040	1164920665	1" FLEX HOSE SPIRAL BLUE		6 mt
041	0551012048	SANSUY HOSE 3/4 ORANGE		3,5mt
042	0503014846	MICRON SPOUT		02
043	0503014845	BOLT NOZZLE M50 RED		02
044	0503014844	PENDANT 450 PULV. DIRECTED PLANT		02
045	0503015241	GUIDE FIXER PEDANT		02
046	0503014843	HOSE DIVIDING		02
047	0503015477	CENTRAL MALE 3/8' NPT X 1/2"		01
048	0503015488	CONNECTOR MALE		01
049	0503014568	CONNECTION TANK HOSE		02
050	0503015435	BOBINE		01
051	0503015434	VALVE		01
052	0503015429	3/4" ADAPTER AKROS		01
053	0503015430	1/2" ADAPTER AKROS		02
054	0503015431	BUSHING		02
055	0503015438	T THREAD 3/4" X 90		01
056	0503015312	ADAPTER WITH FLANGE		02
057	0503015439	T AKROS INTERNAL 1"		01
058	0503015428	1" ADAPTER AKROS		03
059	0503013976	GASKET		02
060	0503013975	HOSE COUPLING		02
061	0503013974	NUT		02
062	0571012216	ADAPTER		01
063	0503015436	NIPLE		02
064	0503015437	BALL		02
065	0503013972	CONNECTION		01
066	0503013968	3/4 X 1 1G21769 NIPPLE		01
067	0503013970	NIPLE		02
068	0503015440	3/4" PLUG		02
069	0503014258	3/4" X 90" ELBOW		02
070	0503015352	KNEE		02
071	0503015294	R1.1/2-11.1/2 S 1.15/16X2.1/2 NIPPLE		04
072	0503014975	POINT		06
073	0561014313	1.1/2" X 3150" BLUE HOSE		01
074	0503014974	TE		02
075	0503014972	VALVE		02
076	0503015149	M8 X 1,25 X 50 BOLT		03



Item	Code	Description	See page	QT
01	0511047720	DRIVE PUMP		01
01A	0503010179	5/16" ZN SPRING WASHER		04
01B	0503015149	M8 X 1,25 X 50 BOLT		04
01C	0551018434	PROTECTION		01
01D	0503010019	1/2" SPRING WASHER		02
01E	0503010920	1/2" X 1.1/2" BOLT		02
01F	0551011253	R1.1/16 JICX7/8 SAE S1.1/8X50 NIPPLE		02
01G	0503010144	1/4" NUT		02
01H	0503010143	1/4" SPRING WASHER		02
01I	0503010420	BOLT		02
02	0521060386	COUPLING MOTOR		01
03	0501078382	COUPLING		01
04	0503015382	ARM PUMP		01
05	0503015384	CHAIN		01
06	0503015387	LOCKING THREADED		01
07	0503010237	3/8" X 1" BOLT		02
08	0503010025	3/8" SPRING WASHER		02
09	0503014491	SCREW 1/4 UNC X 2 CS G.5 ZN		01
10	0503014876	NUT PARLOCK 1/4"		01
11	0503015151	BLOCK		01
12	0503014371	M8 SPRING WASHER		03
13	0503015149	M8 X 1,25 X 50 BOLT		03
14	0503015422	MOTOR		01
15	0503016482	BOLT		01



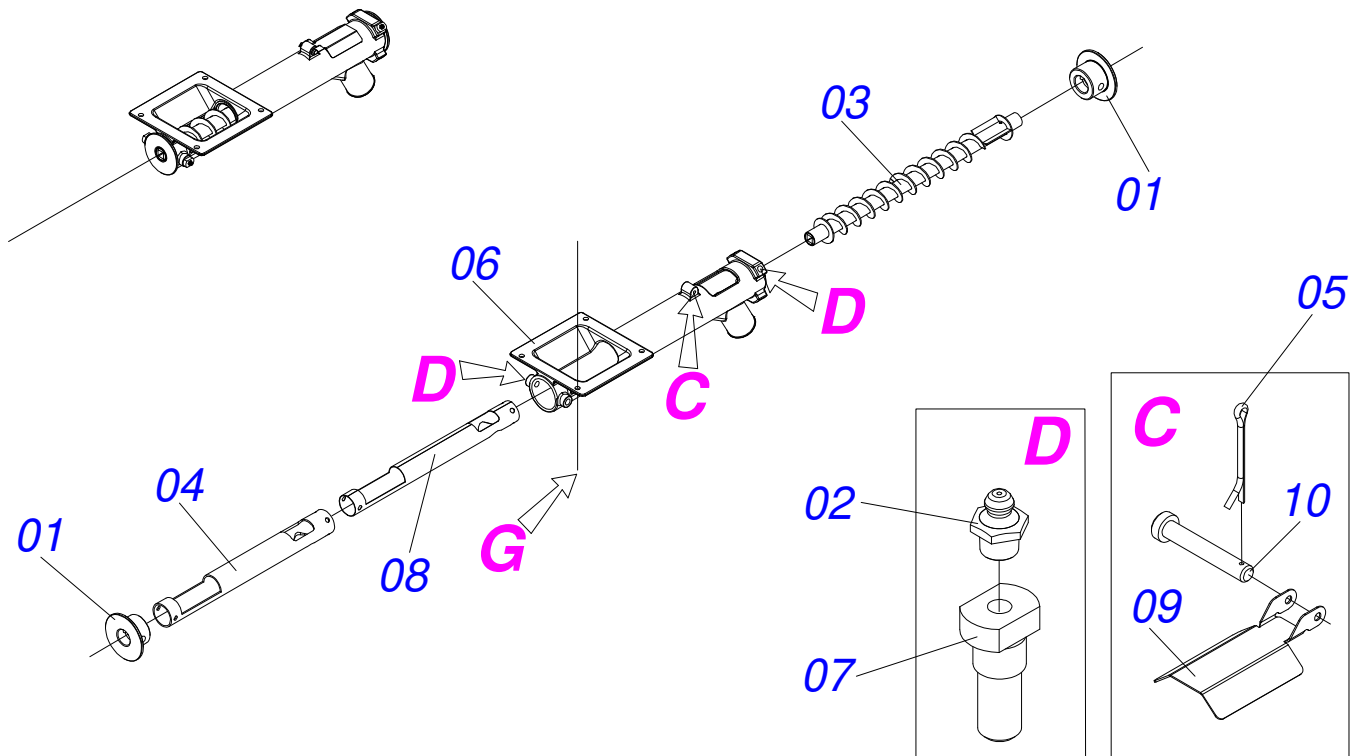
Item	Code	Description	See page	QT
001	0503010045	O'RING		04
002	0511017302	FLAT WASHER		14
003	0501012140	FLAT WASHER		02
004	0503010019	1/2" SPRING WASHER		28
005	0503010027	5/8" SPRING WASHER		02
006	0503012241	SNC 1/2" ZIN 1K03068 NUT		28
007	0503010013	5/8" NUT		02
008	0501010161	1/2" X 1.1/4" BOLT		28
009	0503011267	BOLT 5/8 UNC X 1.1/2 C S G.5 ZN		02
010	0571013633	SUPPORTE SUPERIOR RIGHT		01
011	0571013634	SUPPORTE SUPERIOR LEFT		01
012	0511049006	FERTILIZER BOX	17	01
013	0561014839	PROTECTION VALVE		01



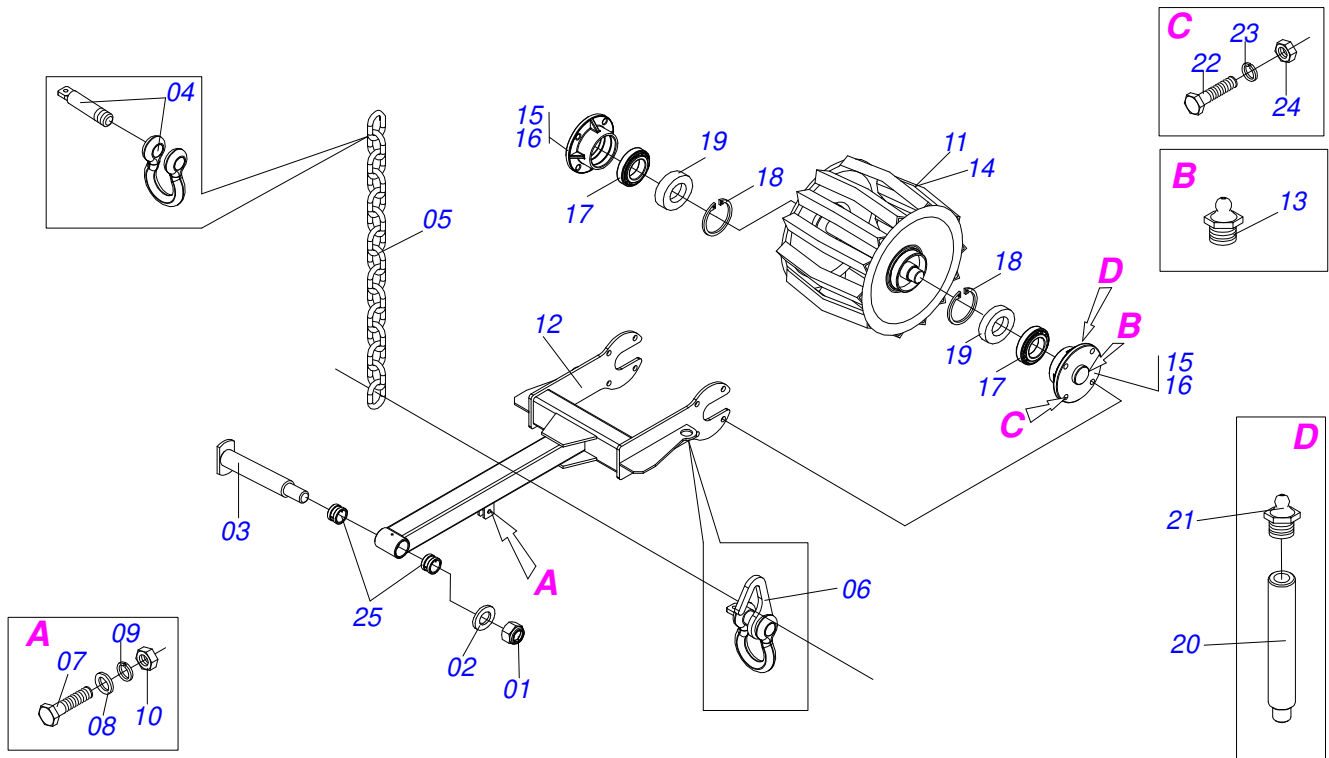
Item	Code	Description	See page	QT
001	0551019721	PIN PACC 204005 41771146		04
002	0521061957	SET CENTER SCREEN		02
003	0561011094	DRAIN COVER		02
004	0561010240	GLASS FIXER		04
005	0503033020	DISPLAY		02
006	0521060040	GASKET MOUNT		02
007	0503010920	1/2" X 1.1/2" BOLT		20
008	0503010060	1/2" NUT		28
009	0503010019	1/2" SPRING WASHER		12
010	0503015014	3/16 UNC X 1.1/4 C S INOX BOLT		12
011	0503015013	3/16 SELF ADJUSTING NUT NC 1K02881		12
012	0511017302	FLAT WASHER		16
013	0501010161	1/2" X 1.1/4" BOLT		08
014	0561011203	FIXER CANNON		02
015	0501058713	CANNON	18	02
016	0561010288	AIR CONDUCTOR 3 X 950		02
017	0503015089	3.1/4" X 3.3/4" CLAMP		02
018	0503010131	3/16" X 1-1/2" COTTERPIN		02
019	0503010571	1/4" X 1.1/2 COTTERPIN		04
020	0561011115	MOTOR SHAFT		02
021	0501010637	FLAT WASHER		02
022	0511069952	HYDRAULIC MOTOR SLEEVE		02
023	0521061955	PROTECTION PACC 151403 417711887		02
024	0503010571	1/4" X 1.1/2 COTTERPIN		04
025	0551019750	SHIELD CALÇO		04
026	0521061951	STRUCTURE BOX		01
027	0561017085	FIXED MOTOR		02
028	0521061811	MOTOR SUPPORT		02
029	0503014850	MOTOR FERTILIZER		02
030	0501010590	NIPPLE		04
031	0551016884	NIPLE		02

<b>Item</b>	<b>Code</b>	<b>Description</b>	<b>See page</b>	<b>QT</b>
032	0511017302	FLAT WASHER		02
033	0503010038	3/16 X 2 COTTERPIN		02
034	0503014436	RUBBER HANDLE YAMSHITA		02
035	0503010362	1/8" X 1.1/4" COTTERPIN		07
036	0551016915	PIN TCC		03
037	0521061954	COVER PACC		01
038	0503011957	NYLON LUG		03
039	0521061956	SET CENTER SCREEN		01
040	0503010363	5/16" X 1" BOLT		06
041	0503010179	5/16" ZN SPRING WASHER		06
042	0503010337	5/16" NUT		06

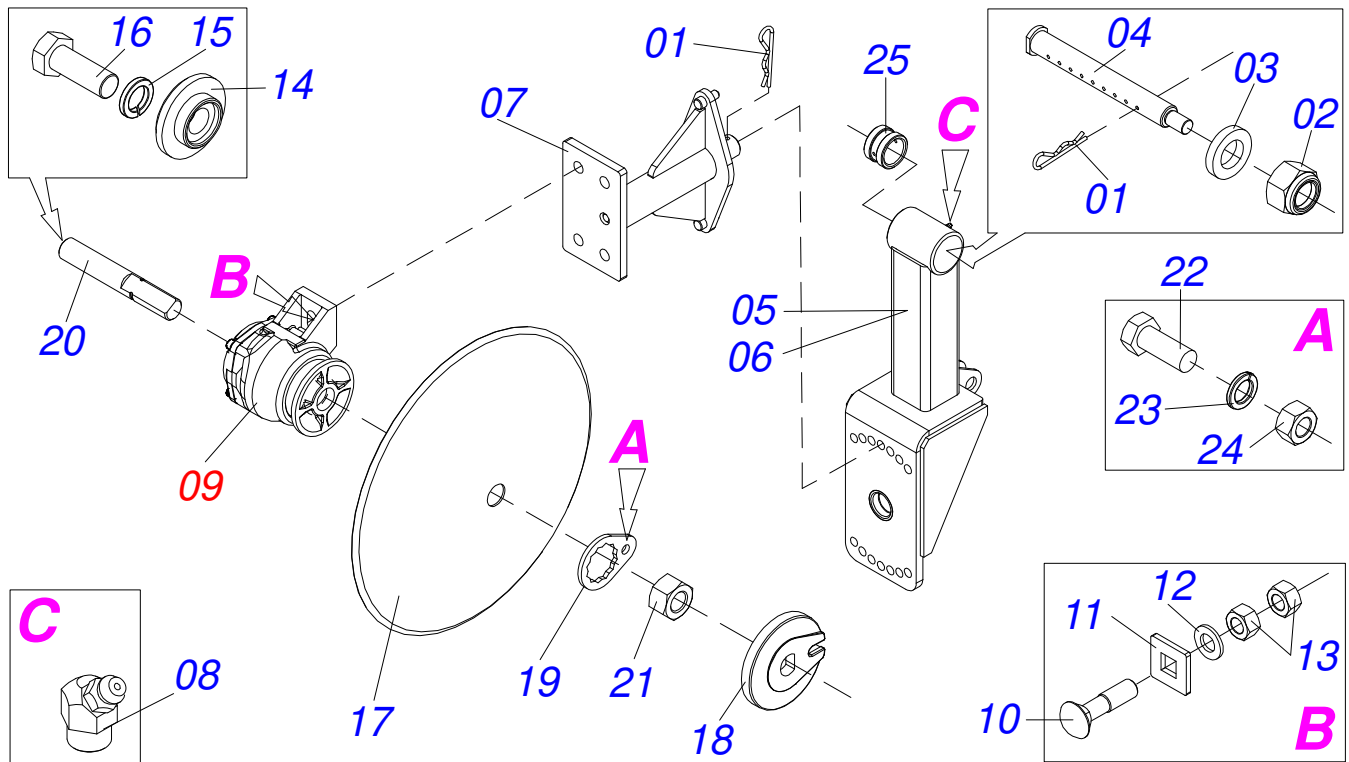




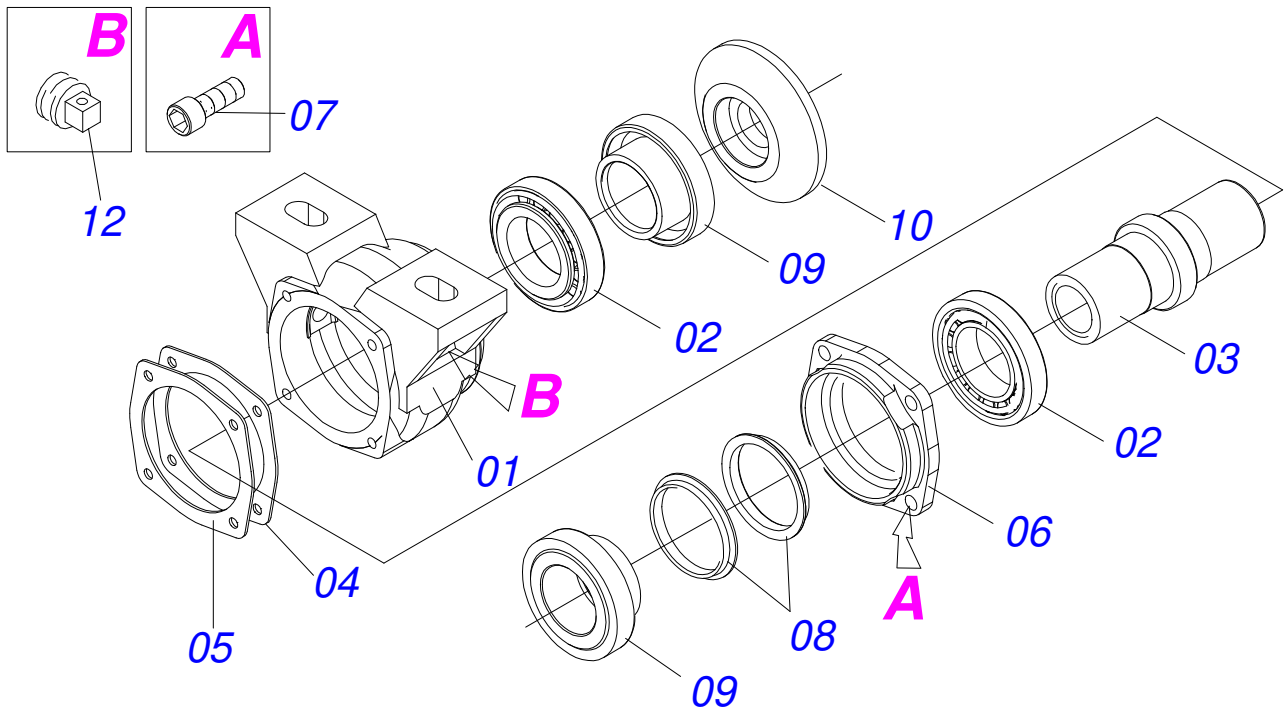
Item	Code	Description	See page	QT
001	0551019736	BEATH BEARING	02	
002	0503010002	1800 GREASE FITTING	04	
003	0511069873	ADJUSTMENT NUT	01	
004	0551019738	COATING TUBE	01	
005	0503014941	1/16" X 1" COTTERPIN	01	
006	0502012567	CANNON	01	
007	0551019737	BOLT LOCK	04	
008	0503033077	GUIDE	01	
009	0551019733	COVER	01	
010	0551019746	PIN	01	



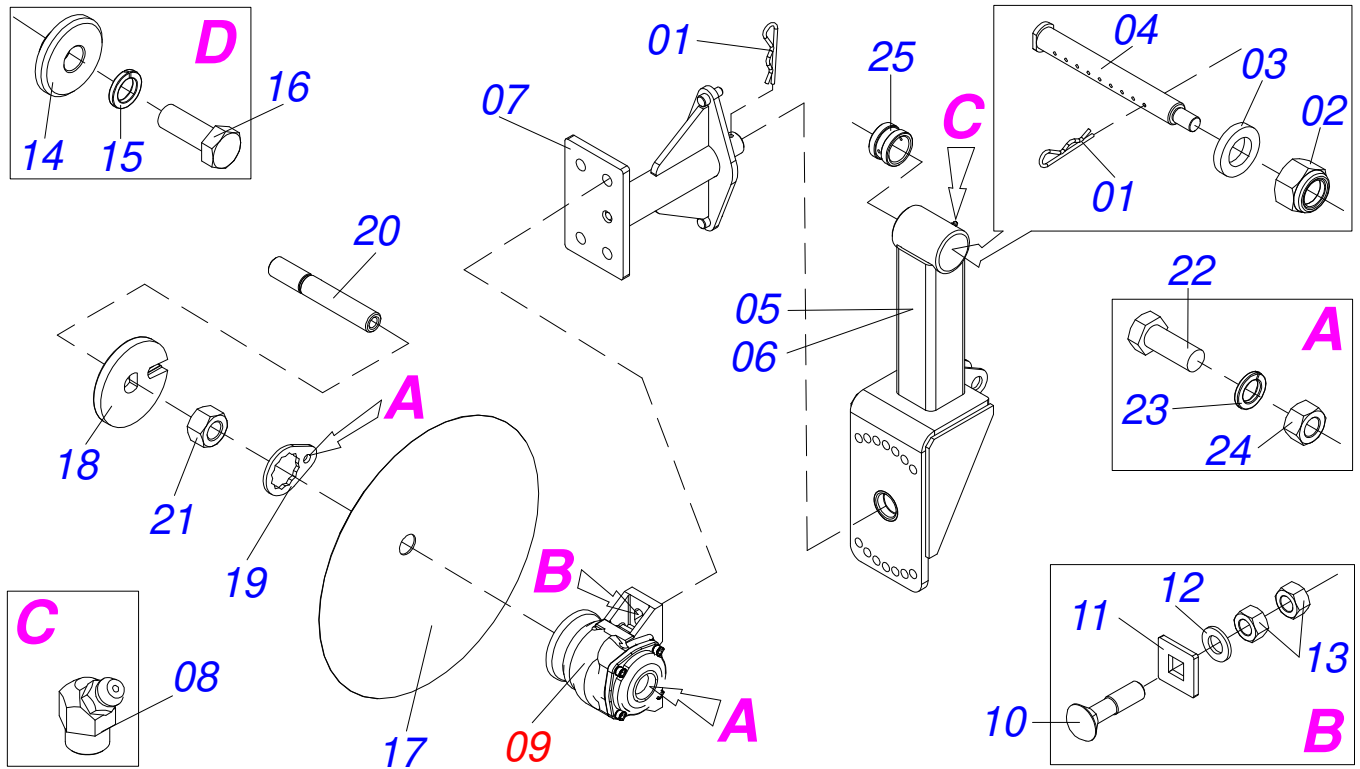
Item	Code	Description	See page	QT
001	0503010063	1" SELF-ALIGNING NUT	01	
002	0521019701	WASHER FLAT AXLE	01	
003	0501077653	PIN ROLLER	01	
004	0503015424	SHACKLE	01	
005	0531018317	8,00 CHAIN 39 LINK	01	
006	0561013307	SUPPORT HOOK	01	
007	0503011238	1/2" X 1-3/4" BOLT	01	
008	0511017302	FLAT WASHER	02	
009	0503010019	1/2" SPRING WASHER	01	
010	0503010060	1/2" NUT	01	
011	0511048177	PRESS ROLLER	01	
012	0521061215	PRESS ROLLER ARM	01	
013	0503010002	1800 GREASE FITTING	01	
014	0511067478	ROLLER SET	01	
015	0501052042	BOX BREAK ROLLER	02	
016	0502011479	BOX BREAK ROLLER	02	
017	0503012107	BALL BEARING	02	
018	0503011420	502100 CLAMPING RING (FOR AXLE)	02	
019	0503011418	01669-BR SEAL	02	
020	0503031394	EXTENSION GREASE FITTING	02	
021	0503010691	1/4" GREASE FITTING	02	
022	0503010232	5/8" X 1.3/4" BOLT	08	
023	0503010027	5/8" SPRING WASHER	08	
024	0503010013	5/8" NUT	08	
025	0531012259	WEAR ARM SLEEVE	02	



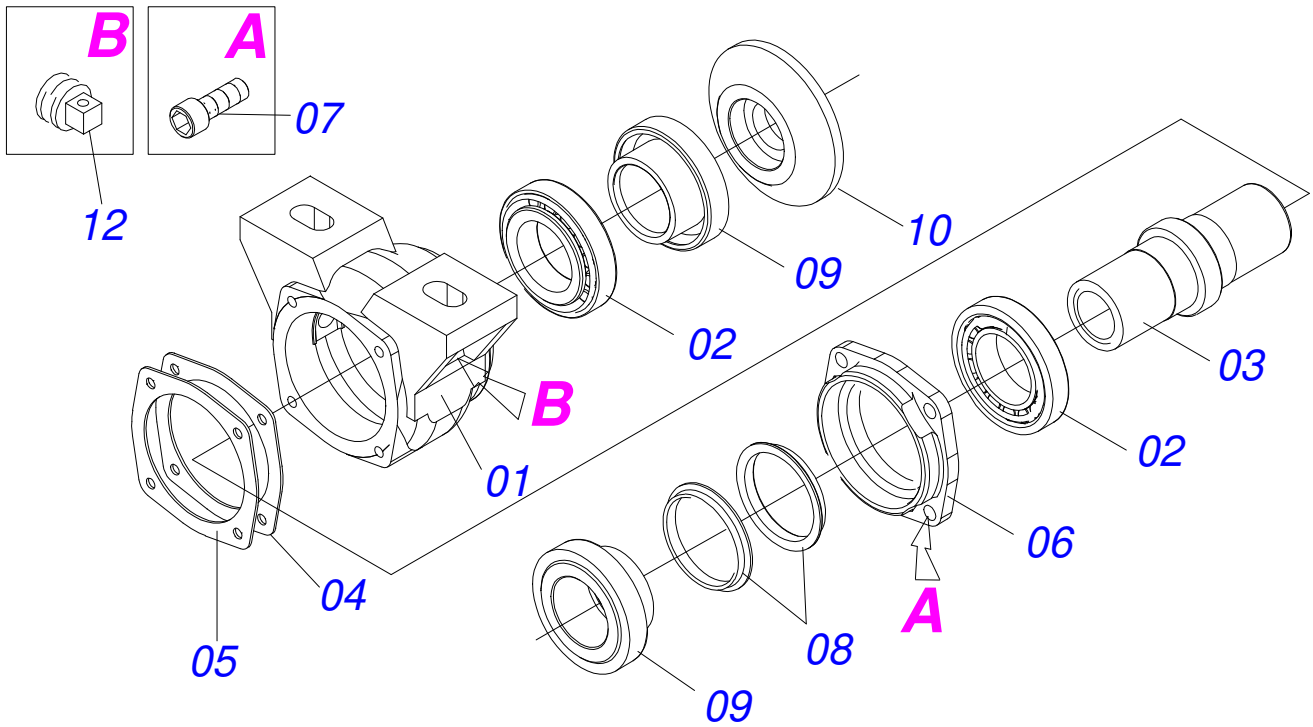
Item	Code	Description	See page	QT
001	0503031479	STAPLE		02
002	0503010063	1" SELF-ALIGNING NUT		01
003	0521019701	WASHER FLAT AXLE		01
004	0511069013	PIN COVERER		01
005	0511048974	FRONT FRAME SET ASSY		01
006	0521061929	ROCKING ARM		01
007	0511062999	SUPPORT DISC COVERING 20,902		01
008	0503010003	1845 GREASE FITTING		01
009	0501049033	BEARING	21	01
010	0501014177	5/8" X 2-1/2" BOLT		02
011	0501010947	5/8 NUT LOCK		02
012	0501010301	FLAT WASHER		02
013	0503010013	5/8" NUT		04
014	0521015311	WASHER		01
015	0503010023	3/4" SPRING WASHER		01
016	0501010098	3/4" UNC BOLT		01
017	0601025002	18" X 0.1" PLAIN DISC BLADE		01
018	0502010835	1-1/4" EXTERNAL AXLE WASHER		01
019	0501010455	1.1/4" NUT LOCK		01
020	0521015310	1.1/4 UNC X 206 AXLE		01
021	0501010087	1.1/4" NUT		01
022	0501010161	1/2" X 1.1/4" BOLT		01
023	0503010019	1/2" SPRING WASHER		01
024	0503010060	1/2" NUT		01
025	0531012259	WEAR ARM SLEEVE		02



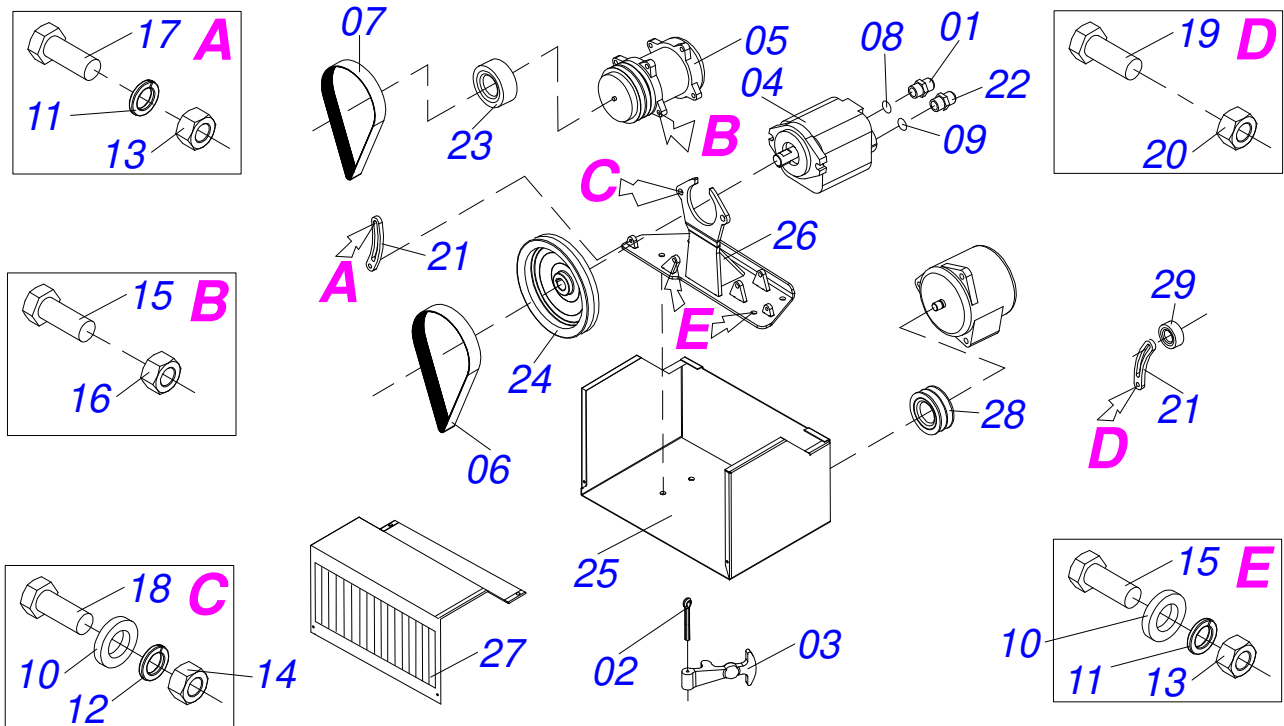
Item	Code	Description	See page	QT
01	0502011765	HOUSING DM		01
02	0503010111	30210 ROLLER BEARING		02
03	0502040484	BEARING AXLE		01
04	0503030013	4.4" X 3.5" X 0.004" JOINT		03
05	0503030684	4.4" X 3.5" X 0.004" JOINT		02
06	0502020424	HOUSING CAP		01
07	0503010134	3/8" X 1" BOLT		04
08	0503030026	SEAL LP JB-253		02
09	0502010541	SEAL RETAINER		02
10	0502010074	INNER FLANGE		01
11	3402301247	MINERAL OIL GREASE		00
12	0503010856	OIL PLUG		01



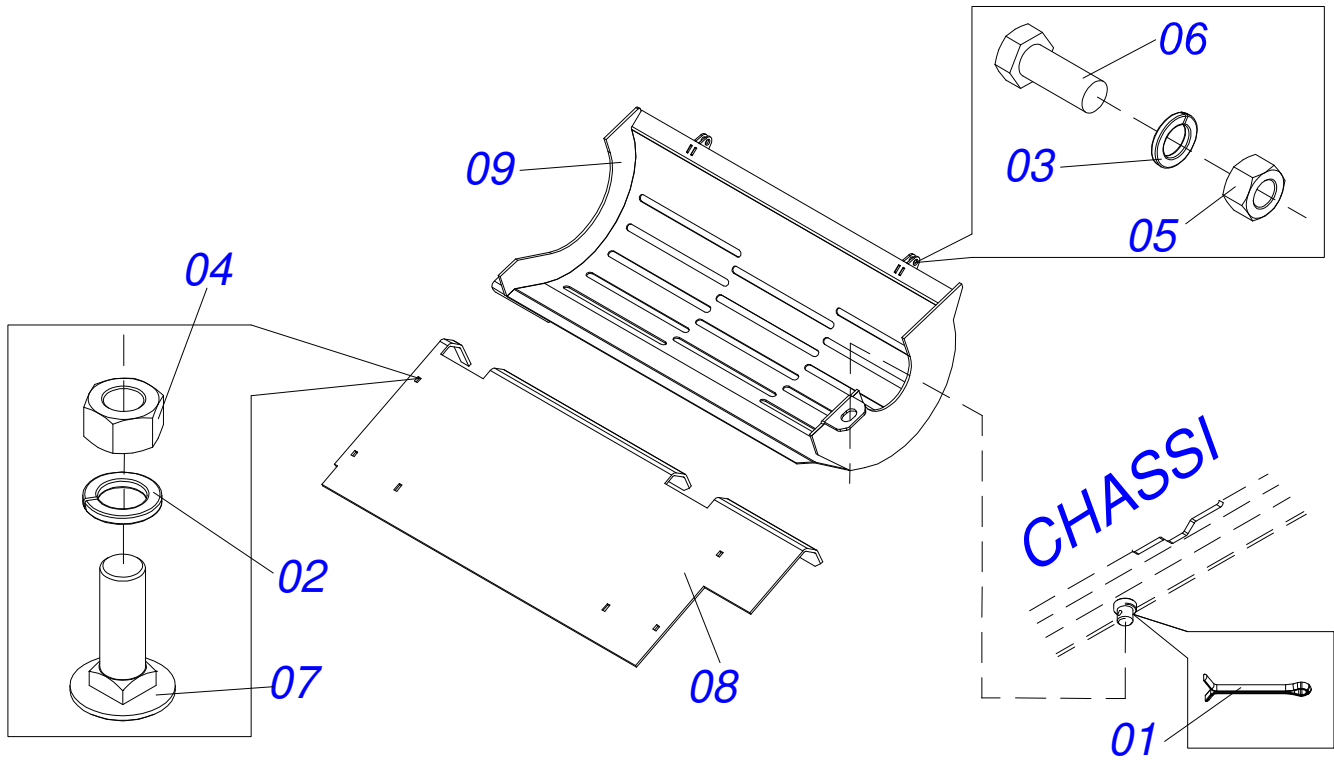
Item	Code	Description	See page	QT
001	0503031479	STAPLE		02
002	0503010063	1" SELF-ALIGNING NUT		01
003	0521019701	WASHER FLAT AXLE		01
004	0511069013	PIN COVERER		01
005	0511048973	LEFT COVERING SET		01
006	0521061929	ROCKING ARM		01
007	0511062999	SUPPORT DISC COVERING 20,902		01
008	0503010003	1845 GREASE FITTING		01
009	0501049034	OIL BATH BEARING	23	01
010	0501014177	5/8" X 2-1/2" BOLT		02
011	0501010947	5/8 NUT LOCK		02
012	0501010301	FLAT WASHER		02
013	0503010013	5/8" NUT		04
014	0521015311	WASHER		01
015	0503010023	3/4" SPRING WASHER		01
016	0501010098	3/4" UNC BOLT		01
017	0601025002	18" X 0.1" PLAIN DISC BLADE		01
018	0502010835	1-1/4" EXTERNAL AXLE WASHER		01
019	0501010455	1.1/4" NUT LOCK		01
020	0521015310	1.1/4 UNC X 206 AXLE		01
021	0501010087	1.1/4" NUT		01
022	0501010161	1/2" X 1.1/4" BOLT		01
023	0503010019	1/2" SPRING WASHER		01
024	0503010060	1/2" NUT		01
025	0531012259	WEAR ARM SLEEVE		02



Item	Code	Description	See page	QT
01	0502011766	HOUSING DM		01
02	0503010111	30210 ROLLER BEARING		02
03	0502040484	BEARING AXLE		01
04	0503030013	4.4" X 3.5" X 0.004" JOINT		03
05	0503030684	4.4" X 3.5" X 0.004" JOINT		02
06	0502020424	HOUSING CAP		01
07	0503010134	3/8" X 1" BOLT		04
08	0503030026	SEAL LP JB-253		02
09	0502010541	SEAL RETAINER		02
10	0502010074	INNER FLANGE		01
11	3402301247	MINERAL OIL GREASE		00
12	0503010856	OIL PLUG		01

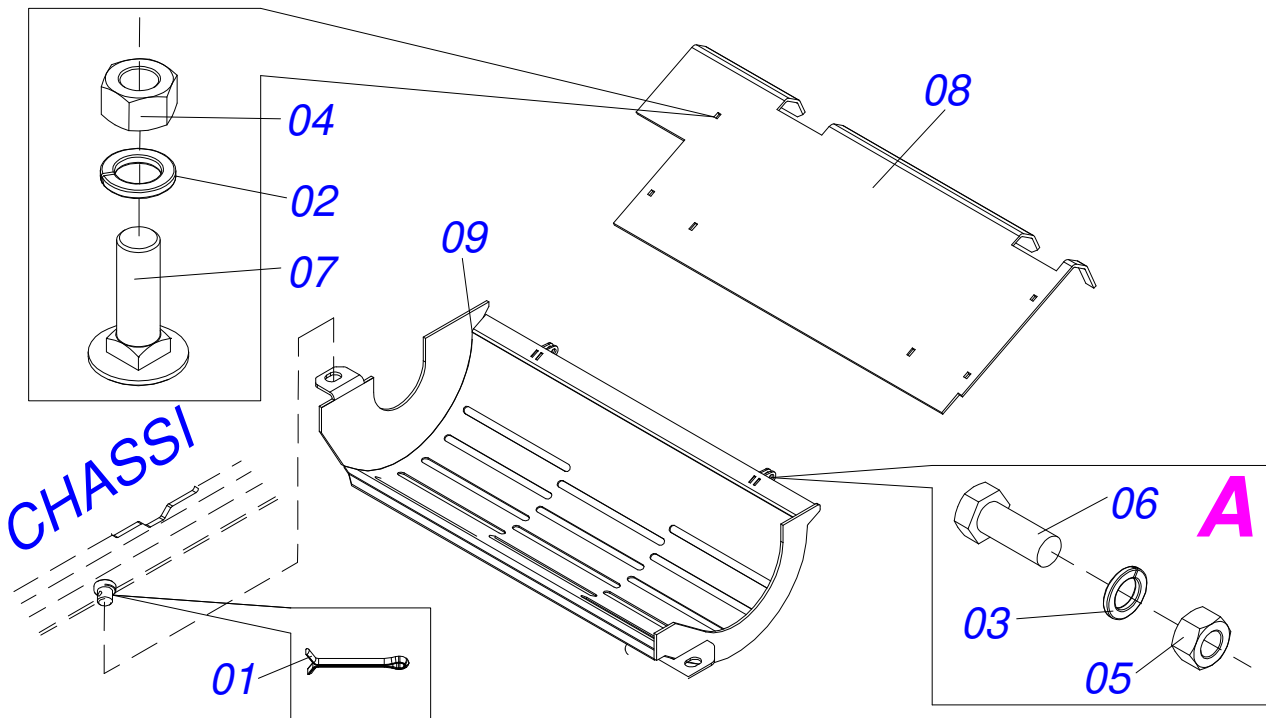


Item	Code	Description	See page	QT
001	0501010589	R. 1.1/16UN SEXT 1.1/4 X 52 NIPPLE		02
002	0503010038	3/16 X 2 COTTERPIN		02
003	0503014436	RUBBER HANDLE YAMSHITA		02
004	0503014783	MOTOR		01
005	0503014939	ALTERNATOR		01
006	0503014782	TYPE 27-50 720 DATUM		01
007	0503015426	A-32 1G44320 BELT		02
008	0503012905	2113 O'RING		01
009	0503011109	2-119 N 3006-9B O'RING		02
010	0501010694	8.5 X 18 X 1.5 FLAT WASHER		02
011	0503010179	5/16" ZN SPRING WASHER		02
012	0503010019	1/2" SPRING WASHER		06
013	0503010337	5/16" NUT		02
014	0503012241	SNC 1/2" ZIN 1K03068 NUT		06
015	0503010421	5/16" X 1-1/2" BOLT		02
016	0503013759	NUT		02
017	0503010365	NUT		02
018	0501010161	1/2" X 1.1/4" BOLT		04
019	0503011123	BOLT		02
020	0503013357	3/8" SELF-ADJUSTING NUT		02
021	0551017615	TENSIONER		02
022	0551018176	NIPPLE		01
023	0551019890	PULLEY ALTERNATIVE		01
024	0551019889	PULLEY TRIPLE		01
025	0511069906	MOUNTED BOX		01
026	0511069905	SUPPORT MOTOR		01
027	0511069904	MOUNTED COVER		01
028	0561012122	SLEEVE		01
029	0561012121	SLEEVE TENSIONER		01
030	3507150251	HINGE OFFSET DISK HARROW		02

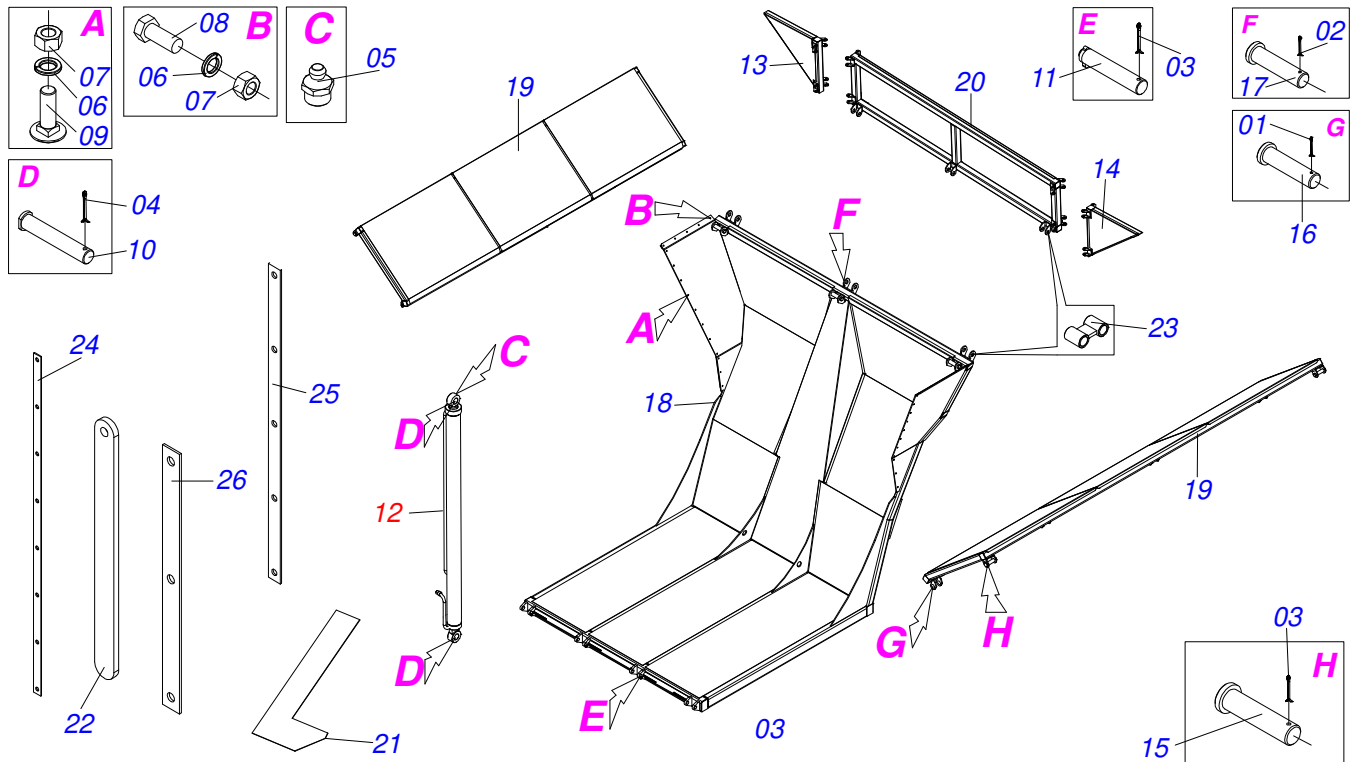


Item	Code	Description	See page	QT
001	0503012769	5/16" X 2" COTTERPIN		02
002	0503010179	5/16" ZN SPRING WASHER		04
003	0503010019	1/2" SPRING WASHER		02
004	0503010337	5/16" NUT		04
005	0503012241	SNC 1/2" ZIN 1K03068 NUT		02
006	0501010161	1/2" X 1.1/4" BOLT		02
007	0503011953	5/16" X 1" BOLT		04
008	0521061887	COMPLEMENT TROUGH RIGHT		01
009	0521061894	SET COCHO RIGHT		01

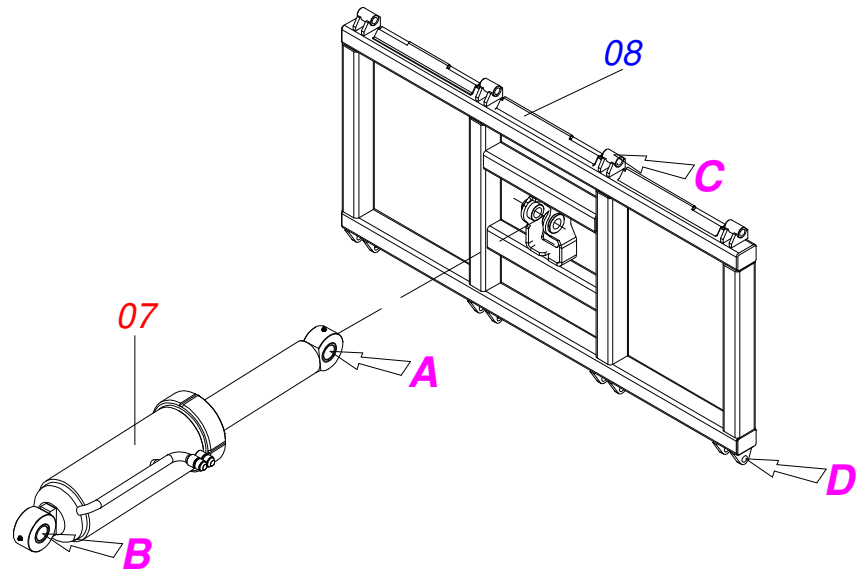
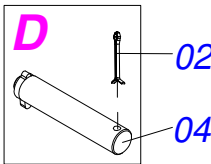
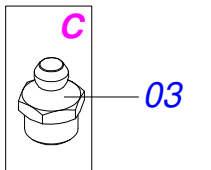
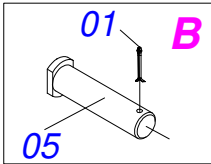
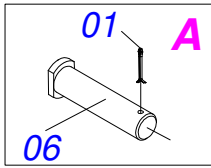




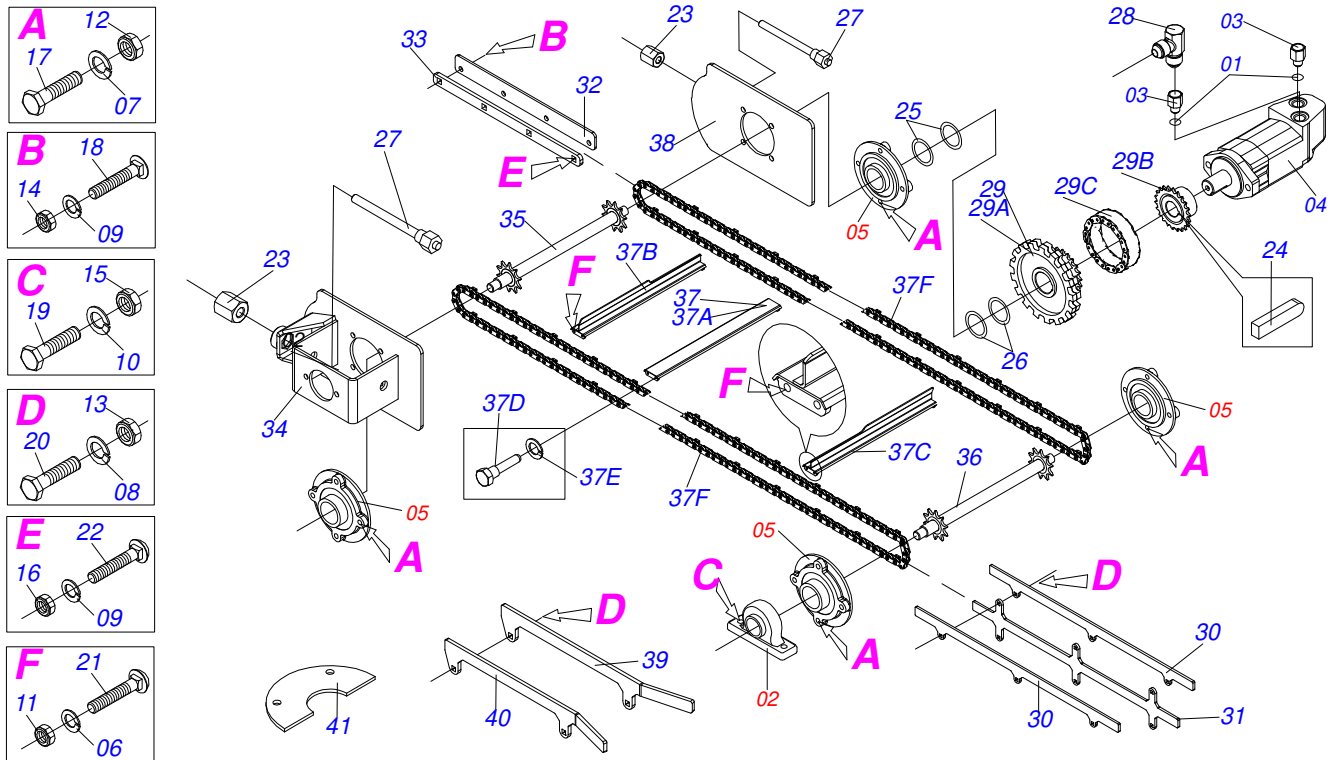
Item	Code	Description	See page	QT
001	0503012769	5/16" X 2" COTTERPIN		02
002	0503010179	5/16" ZN SPRING WASHER		04
003	0503010019	1/2" SPRING WASHER		02
004	0503010337	5/16" NUT		04
005	0503012241	SNC 1/2" ZIN 1K03068 NUT		02
006	0501010161	1/2" X 1.1/4" BOLT		02
007	0503011953	5/16" X 1" BOLT		04
008	0521061888	COMPLEMENT TROUGH LEFT		01
009	0521061895	SET COCHO LEFT		01



Item	Code	Description	See page	QT
001	0503010778	1/8" X 1.1/2" COTTERPIN		08
002	0503010010	1/4" X 2.1/2" COTTERPIN		25
003	0503010523	1/4" X 2" COTTERPIN		04
004	0503010534	3/8 X 2-1/2 COTTERPIN		02
005	0503010002	1800 GREASE FITTING		06
006	0503010179	5/16" ZN SPRING WASHER		32
007	0503010337	5/16" NUT		32
008	0503010421	5/16" X 1-1/2" BOLT		02
009	0503011762	SCREW 5/16UNC X 1.1/4 CAPQ G.2 ZN		30
010	0501077656	PIN CYLINDER		02
011	0501077655	PIN BUCKET		04
012	0511045826	CILINDER ROCKER	13	01
013	0501078062	ABA RIGHT SIDE PACC 200458 41770019		01
014	0501078060	ABA LEFT SIDE PACC 200459 41770091		01
015	0551019280	PIN PACC 200077 41770165		08
016	0551019279	PIN PACC 200078 41770174		08
017	0551019592	PIN PACC 200080 41770367		17
018	0521061946	BUCKET OSCILLATOR		01
019	0501078381	COMPLEMENT SIDE		02
020	0501078379	LH UPPER ABA 150008 41774857		01
021	0561011635	JOINT RUBBER		02
022	0561011638	REINFORCING RUBBER		02
023	0521060661	SPACER		03
024	0561013312	COVER FIXER		02
025	0561013311	COVER FIXER		02
026	0561013310	COVER FIXER		02

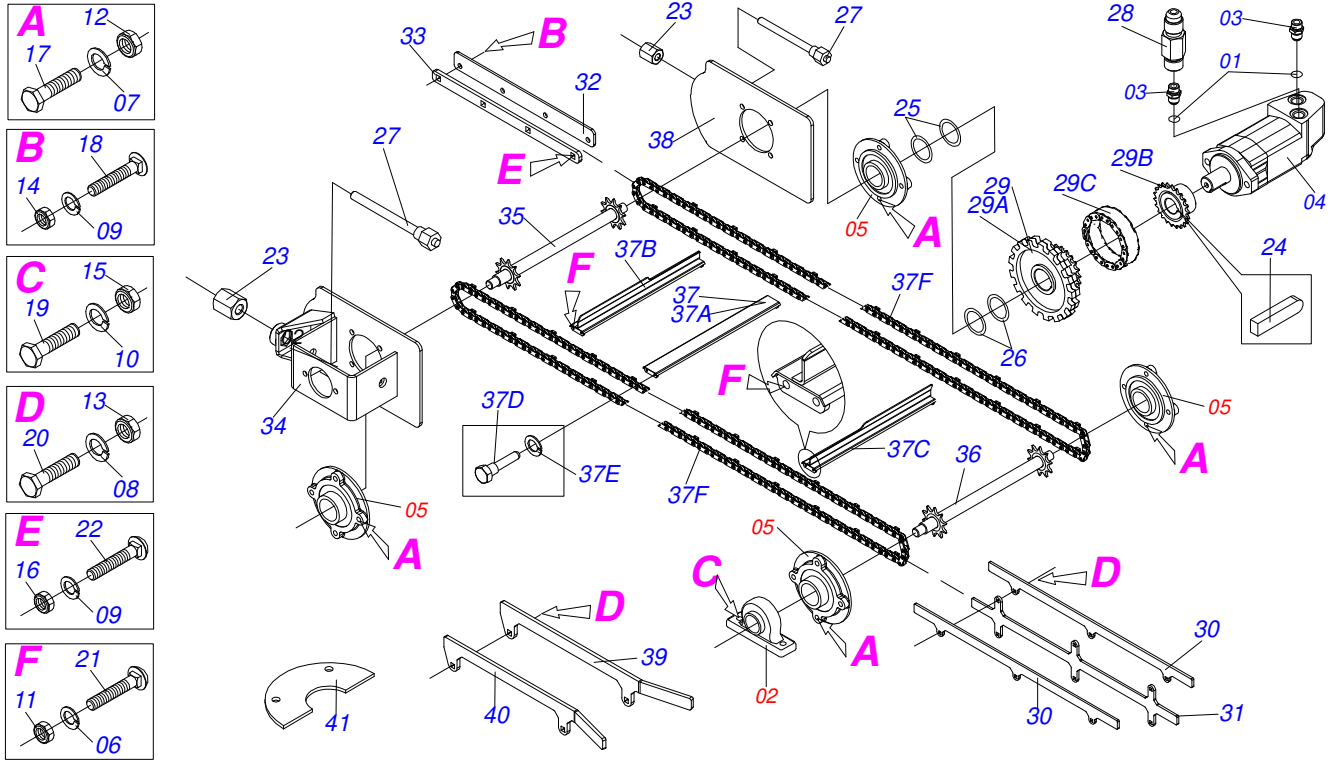


Item	Code	Description	See page	QT
001	0503012215	5/16" X 2-1/2" COTTERPIN		02
002	0503010523	1/4" X 2" COTTERPIN		04
003	0503010002	1800 GREASE FITTING		06
004	0501077655	PIN BUCKET		04
005	0501077654	PIN CYLINDER ASS		01
006	0511069028	AXLE CYLINDER		01
007	0511045825	HYDRAULIC CYLINDER	11	01
008	0521061926	FLOOR ARTICULATION		01



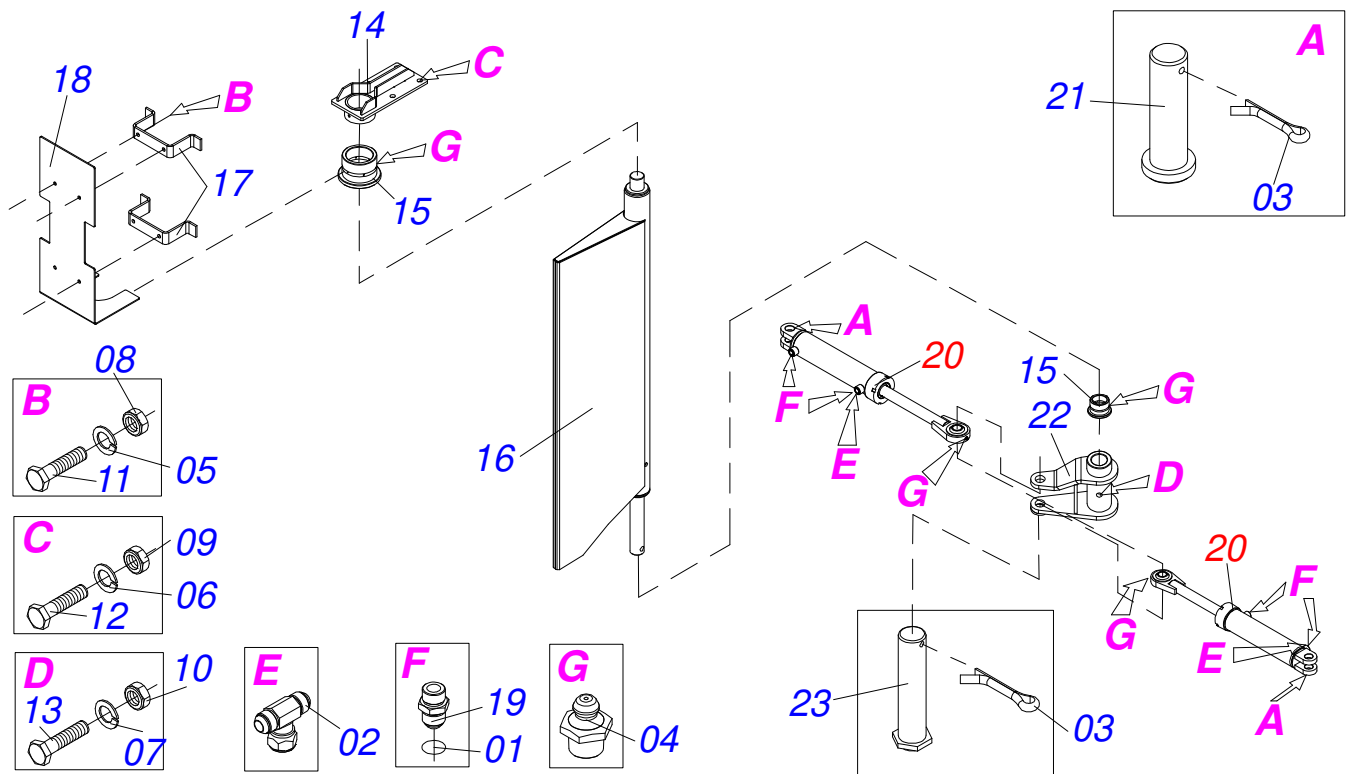
Item	Code	Description	See page	QT
001	0503010045	O'RING		02
002	0503014504	ROLMAX BEARING ASSEMBLY WITH BEARING		01
003	0503014836	1.1/16 JIC X7/8 JIC 1G139273 NIPPLE		02
004	0503013828	MOTOR		01
005	0503013156	BEARING WITH BALL		03
006	0503010179	5/16" ZN SPRING WASHER		32
007	0503010025	3/8" SPRING WASHER		04
008	0503010180	7/16" SPRING WASHER		12
009	0503010019	1/2" SPRING WASHER		10
010	0503010027	5/8" SPRING WASHER		02
011	0503010337	5/16" NUT		32
012	0503010026	3/8" NUT		04
013	0503010244	7/16" NUT		12
014	0503012241	SNC 1/2" ZIN 1K03068 NUT		02
015	0503010013	5/8" NUT		02
016	0503010020	1/2"NUT		08
017	0503010849	3/8" X 1-1/2" BOLT		04
018	0503011082	C1/2" X 1.3/4" SCREW		02
019	0503010233	5/8" X 2-1/2" BOLT		02
020	0503011195	7/16" X 1.3/4" BOLT		12
021	0503011953	5/16" X 1" BOLT		32
022	0501010243	1/2" X 1-1/2" BOLT		08
023	0541014898	NUT		02
024	0541015609	8 X 7 X 22 KEYWAY AXIS		01
025	0541017271	WASHER		10
026	0541017270	WASHER		10
027	0501077652	TIGHTENER AXLE		02
028	0511069246	ADAPTER T ( PACC)		01
029	0511046380	COUPLING (CHAIN PACC 200054)ASSY		01
029A	0501077845	COUPLING ( MAT PACC 200054/1)ASSY		01
029B	0501077846	COUPLING MOTOR (PACC 200054/2 31778423)		01

<b>Item</b>	<b>Code</b>	<b>Description</b>	<b>See page</b>	<b>QT</b>
029C	0503015425	CHAIN		01
030	0561017384	GUIDE MAT		04
031	0561017383	GUIDE CENTER		02
032	0561017386	GUIDE MAT		02
033	0561017385	GUIDE MOBILE MAT		02
034	0521061892	SUPPORT REGISTER		01
035	0521061947	ROLLER		01
036	0521061948	ROLLER		01
037	0521040325	SET MAT ROLL		01
038	0521061937	SUPPORT REGISTER		01
039	0561017521	GUIDE MAT		02
040	0561017520	GUIDE MAT		02
041	0561014840	BEARING PROTECTION PACC 150026 41778395		02



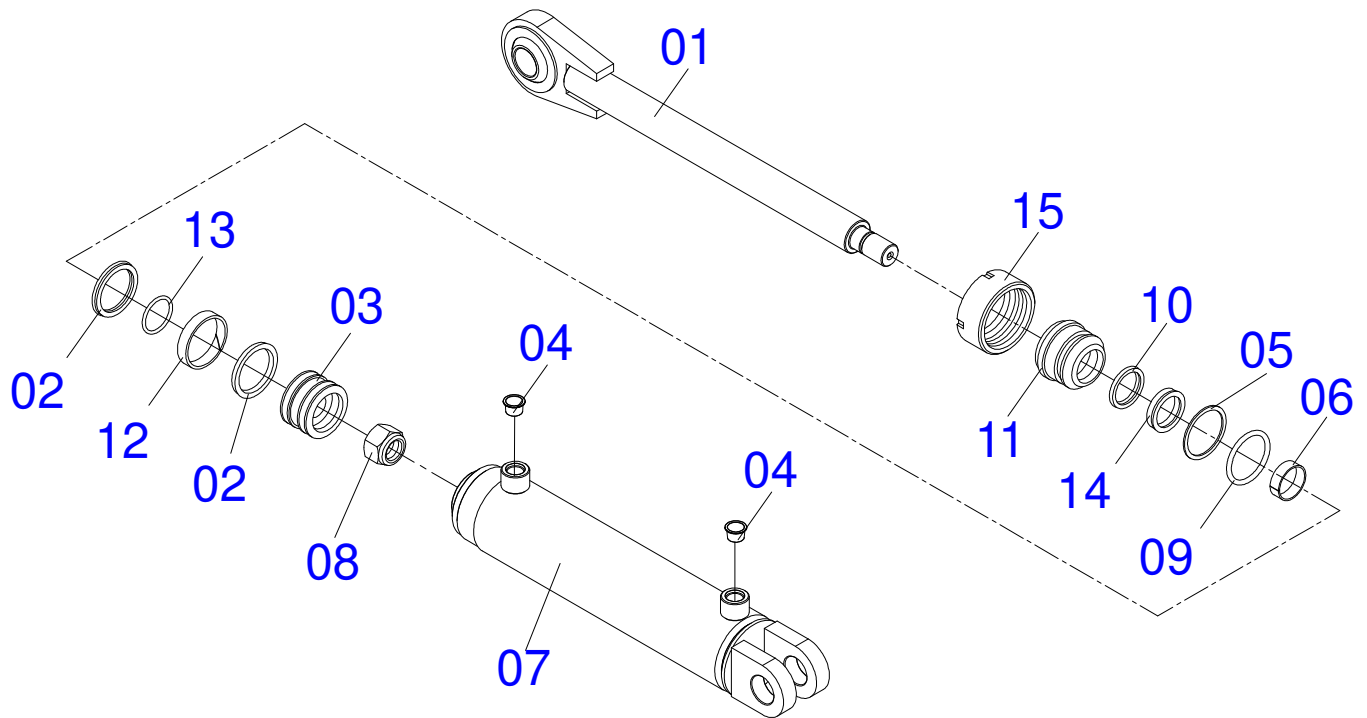
Item	Code	Description	See page	QT
001	0503012923	2-116 3006-9B O'RING		02
002	0501010589	R. 1.1/16UN SEXT 1.1/4 X 52 NIPPLE		02
003	0503014504	ROLMAX BEARING ASSEMBLY WITH BEARING		01
004	0503013828	MOTOR		01
005	0503013156	BEARING WITH BALL		03
006	0503010179	5/16" ZN SPRING WASHER		32
007	0503010025	3/8" SPRING WASHER		04
008	0503010180	7/16" SPRING WASHER		12
009	0503010019	1/2" SPRING WASHER		10
010	0503010027	5/8" SPRING WASHER		02
011	0503010337	5/16" NUT		32
012	0503010026	3/8" NUT		04
013	0503010244	7/16" NUT		12
014	0503012241	SNC 1/2" ZIN 1K03068 NUT		02
015	0503010013	5/8" NUT		02
016	0503010020	1/2"NUT		08
017	0503010849	3/8" X 1-1/2" BOLT		04
018	0503011082	C1/2" X 1.3/4" SCREW		02
019	0503010233	5/8" X 2-1/2" BOLT		02
020	0503011195	7/16" X 1.3/4" BOLT		12
021	0503011953	5/16" X 1" BOLT		32
022	0501010243	1/2" X 1-1/2" BOLT		08
023	0541014898	NUT		02
024	0541015609	8 X 7 X 22 KEYWAY AXIS		01
025	0541017271	WASHER		10
026	0541017270	WASHER		10
027	0501077652	TIGHTENER AXLE		02
028	0551016884	NIPLE		01
029	0511046380	COUPLING (CHAIN PACC 200054)ASSY		01
029A	0501077845	COUPLING ( MAT PACC 200054/1)ASSY		01
029B	0501077846	COUPLING MOTOR (PACC 200054/2 31778423)		01

<b>Item</b>	<b>Code</b>	<b>Description</b>	<b>See page</b>	<b>QT</b>
029C	0503015425	CHAIN		01
030	0561017384	GUIDE MAT		04
031	0561017383	GUIDE CENTER		02
032	0561017386	GUIDE MAT		02
033	0561017385	GUIDE MOBILE MAT		02
034	0521061892	SUPPORT REGISTER		01
035	0521061947	ROLLER		01
036	0521061948	ROLLER		01
037	0521040325	SET MAT ROLL		01
038	0521061937	SUPPORT REGISTER		01
039	0561017521	GUIDE MAT		02
040	0561017520	GUIDE MAT		02
041	0561014840	BEARING PROTECTION PACC 150026 41778395		02

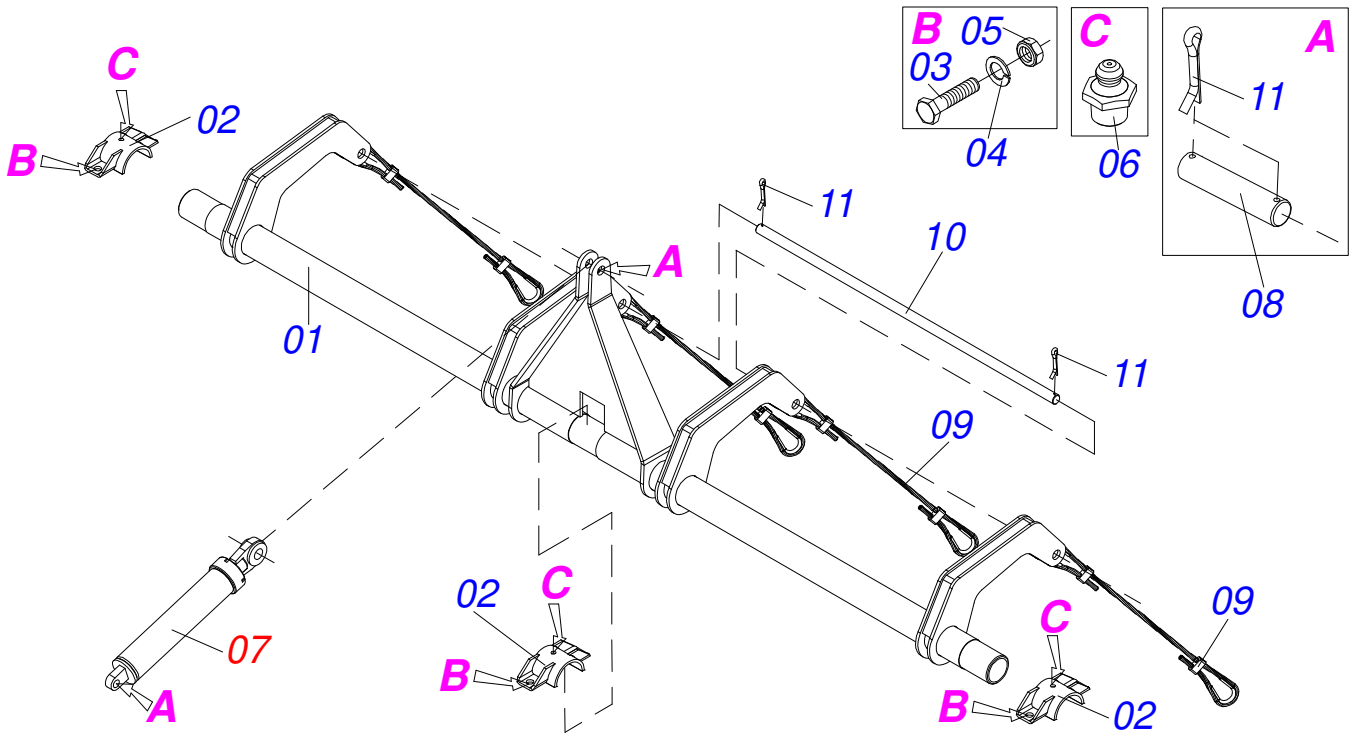


Item	Code	Description	See page	QT
001	0503010190	2-114 N 3006-9B O'RING		04
002	0503013535	ADAPTER T TEE JIC 1.1/16		02
003	0503010523	1/4" X 2" COTTERPIN		03
004	0503010002	1800 GREASE FITTING		05
005	0503010179	5/16" ZN SPRING WASHER		04
006	0503010019	1/2" SPRING WASHER		04
007	0503010023	3/4" SPRING WASHER		01
008	0503010337	5/16" NUT		04
009	0503012241	SNC 1/2" ZIN 1K03068 NUT		04
010	0503012183	SNC 3/4" ZIN 1K03097 NUT		01
011	0503010363	5/16" X 1" BOLT		04
012	0501010161	1/2" X 1.1/4" BOLT		04
013	0501010216	3/4" X 4-1/2" BOLT		01
014	0511068939	SET UPPER MARKER		01
015	0551016871	SLEEVE NYLON		02
016	0511069112	SET DEFLECTOR		01
017	0551017843	FIXER		02
018	0551017844	PACC CLOSED		01
019	0551018053	NIPPLE		04
020	0511048262	HYDRAULIC CYLINDER	32	02
021	0551019279	PIN PACC 200078 41770174		02
022	0521061307	ARTICULATOR SET		01
023	0521061308	PIN BAFFLE		01

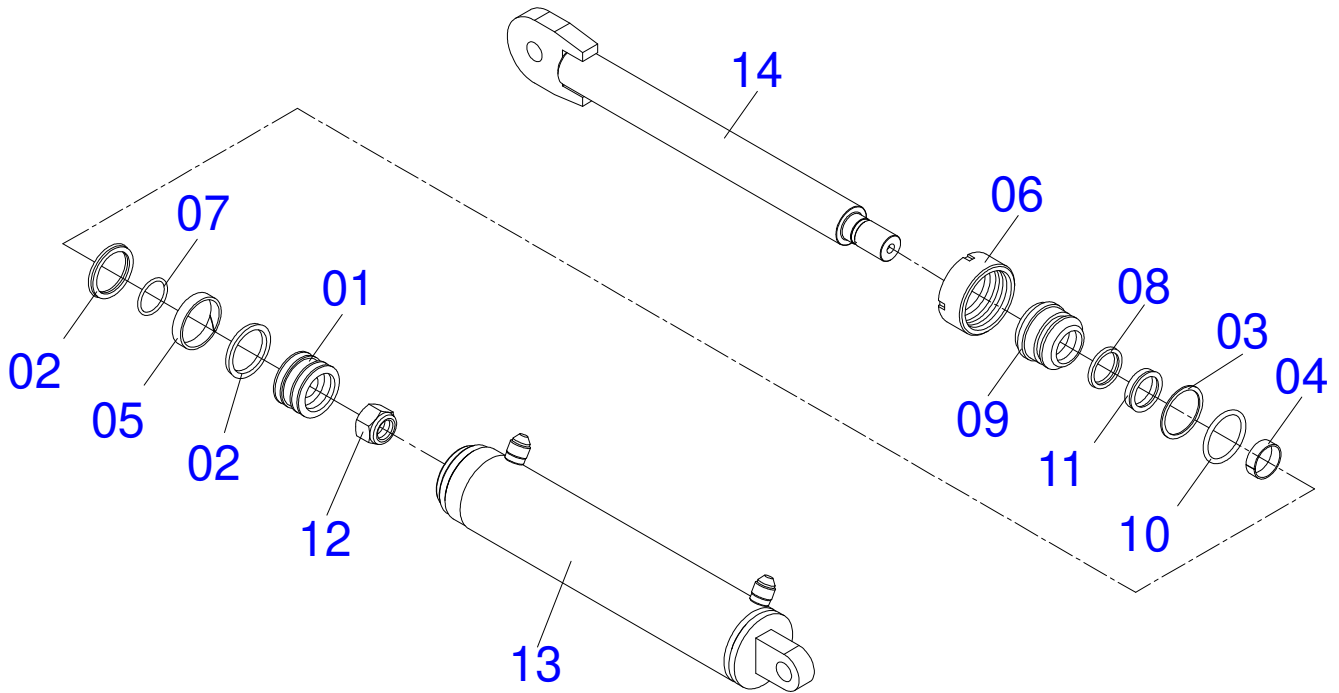




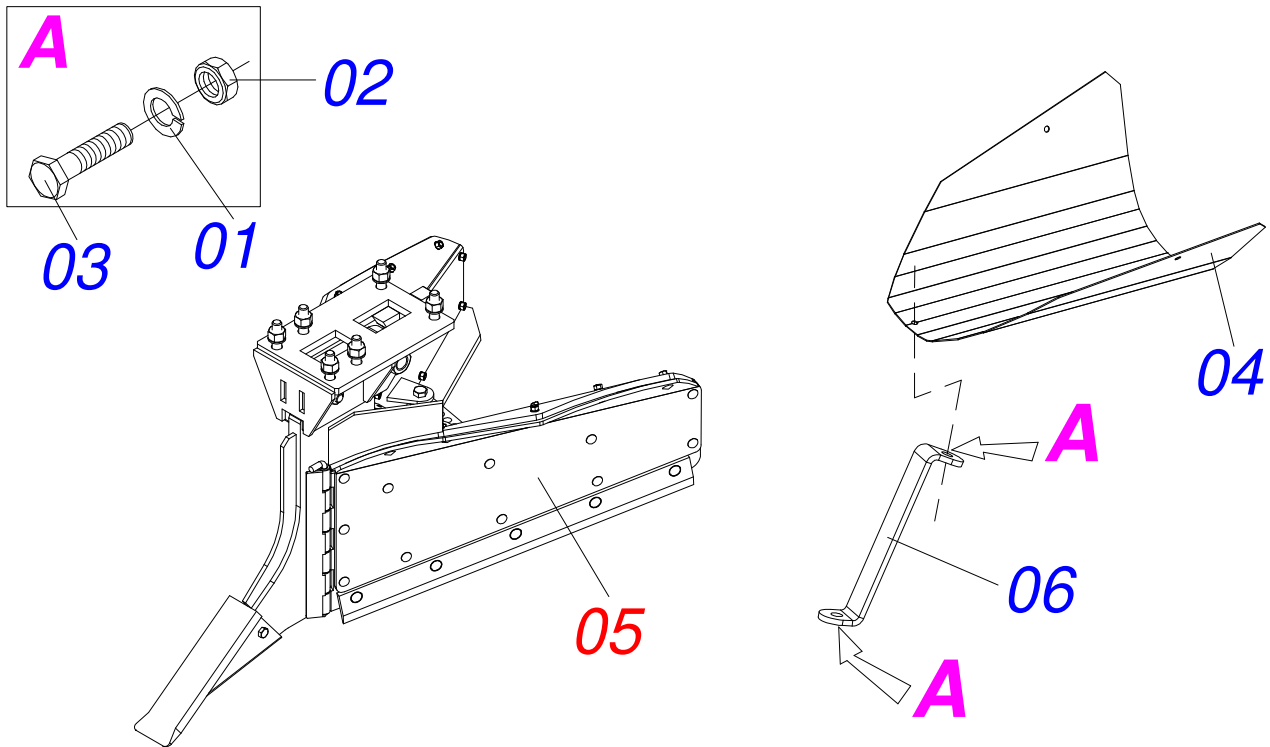
Item	Code	Description	See page	QT
01	0511048262	HYDRAULIC CYLINDER	32	01
01A	0521061320	TURNBUCLE		01
01B	0503012768	3750-2250 GASKET		02
01C	0502012514	PISTON		01
01D	0503030384	CON PLUG N-001		02
01E	0503010343	2-334 N 3006-9B O'RING		01
01F	0503011059	8-334 BACK-UP RING		01
01G	0511069675	CYLINDER CASE		01
01H	0503010063	1" SELF-ALIGNING NUT		01
01I	0503010285	2-222 N 3006-9B O'RING		01
01J	0503010992	W2-3000-500 PK RING G.E		01
01K	0502012513	RING SUPPORT		01
01L	0503010970	W1-1650-500 PK O'RING G.E		01
01M	0503010989	1870-1500-375-B GASKET		01
01N	0503010163	D-1500 SCRAPER RING		01
01O	0502011899	MOBILE COVER		01



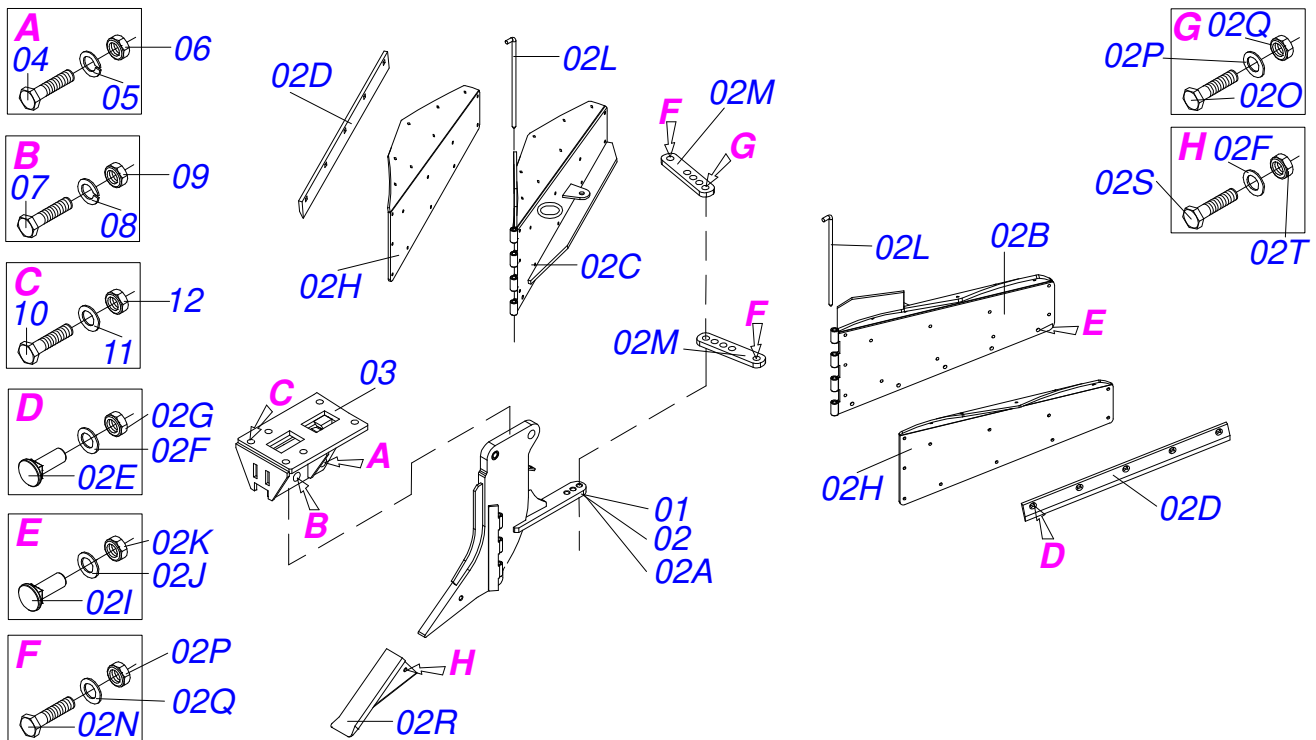
Item	Code	Description	See page	QT
001	0521061928	SUBSOILER		01
002	0501078212	BEARING		03
003	0503010920	1/2" X 1.1/2" BOLT		06
004	0503010019	1/2" SPRING WASHER		06
005	0503012241	SNC 1/2" ZIN 1K03068 NUT		06
006	0503010002	1800 GREASE FITTING		03
007	0501059917	HYDRAULIC CYLINDER	34	01
008	0561010473	PIN CYLINDER		02
009	0503033120	PACC		04
010	0571014911	3/4" X 777 AXLE		02
011	0503010577	3/16" X 1-1/4" COTTERPIN		08



Item	Code	Description	See page	QT
01	0501059917	HYDRAULIC CYLINDER	34	01
01A	0502010783	1.5" X 2.5" PISTON		01
01B	0503010160	2500 2000 GASKET		02
01C	0503010161	2-330 N 3006 9B O'RING		01
01D	0503011058	8-330 BACK-UP RING		01
01E	0503010163	D-1500 SCRAPER RING		01
01F	0502010471	MOBILE COVER		01
01G	0503010989	1870-1500-375-B GASKET		01
01H	0503010970	W1-1650-500 PK O'RING G.E		01
01I	0502010780	RING SUPPORT		01
01J	0503010285	2-222 N 3006-9B O'RING		01
01K	0503010973	W2-2500-500 PK O'RING G.E		01
01L	0503010063	1" SELF-ALIGNING NUT		01
01M	0521061574	CYLINDER CASE ASSY		01
01N	0501079019	ROD ASSEMBLY		01

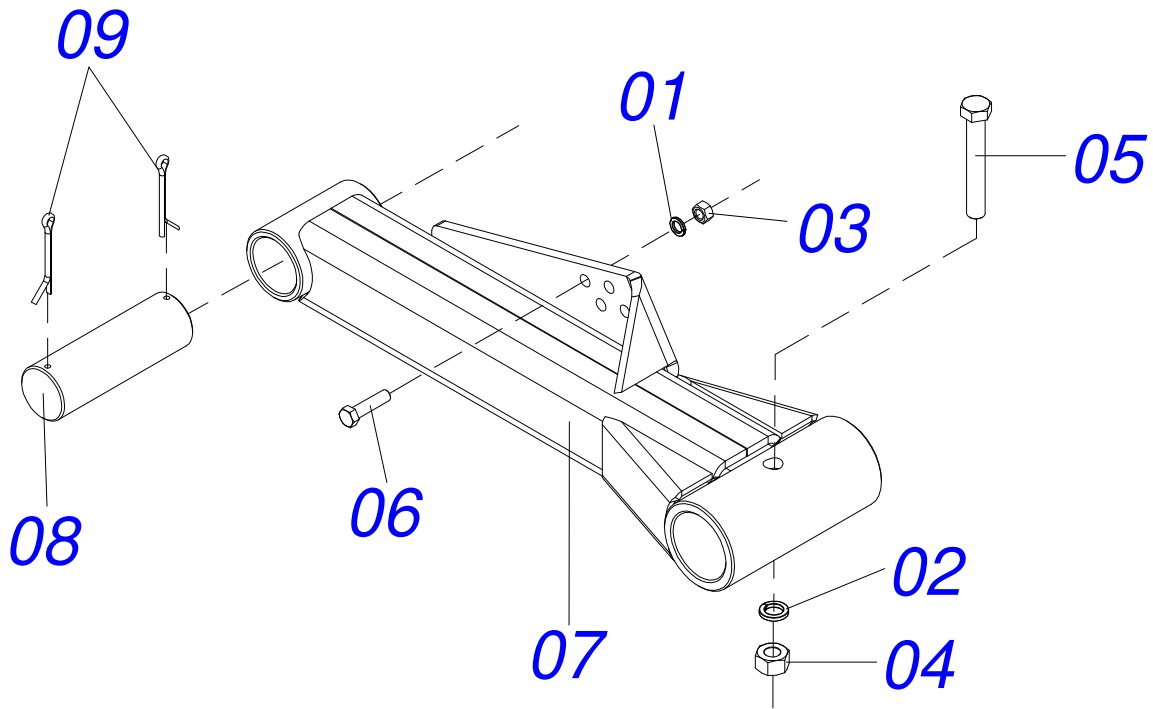


Item	Code	Description	See page	QT
001	0503010025	3/8" SPRING WASHER		02
002	0503010026	3/8" NUT		02
003	0503011087	3/8" X 1" BOLT		02
004	0541013777	SPOUT ASSY		01
005	0511046232	SUBSOILER	36	01
006	0551017646	SUPPORT FIXATION SPOUT		01

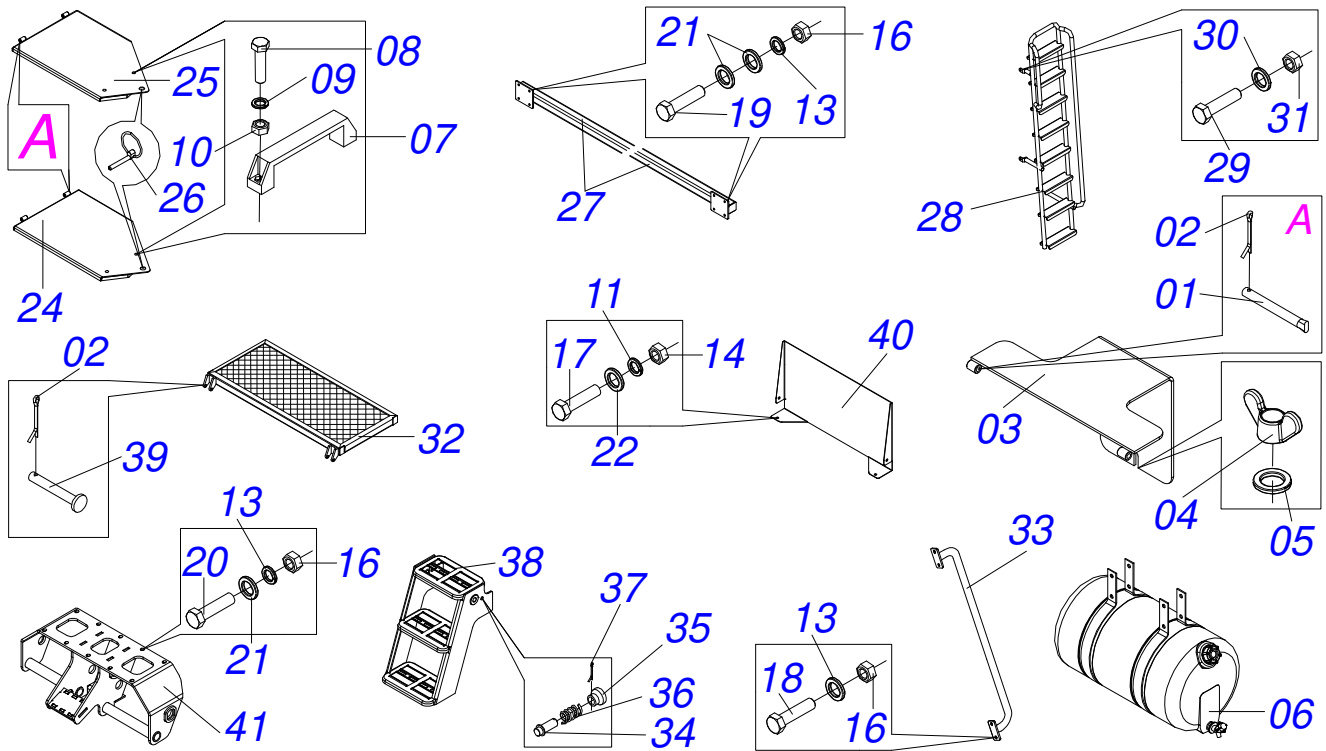


Item	Code	Description	See page	QT
001	0511046232	SUBSOILER	36	01
002	0501057837	SUBSOILER		01
002A	0511067641	ROD SUBSOILER FERTILIZER		01
002B	0511069022	SET LEFT WING		01
002C	0511069023	SET RIGHT WIND		01
002D	0551013447	SCRAPER		02
002E	0503012956	1/2" X 1-1/2" BOLT		10
002F	0503010019	1/2" SPRING WASHER		11
002G	0503010020	1/2"NUT		10
002H	0551016883	PLATE POLIETILINO		02
002I	0501010942	3/8" X 1-1/4" BOLT		36
002J	0503010025	3/8" SPRING WASHER		36
002K	0503010026	3/8" NUT		36
002L	0521012821	PIVOT SHAFT		02
002M	0551010614	ADJUSTMENT BAR		02
002N	0503011243	5/8" X 2" BOLT		02
002O	0501013233	5/8" X 2-3/4" BOLT		01
002P	0503010027	5/8" SPRING WASHER		03
002Q	0503010013	5/8" NUT		03
002R	0511067638	CONNECTION		01
002S	0503010734	1/2" X 2-1/2" BOLT		01
002T	0503010060	1/2" NUT		01
003	0511069138	SUPPORT STEM		01
004	0503012529	1-1/4" X 4-3/4" BOLT		01
005	0503010070	SPRING WASHER		01
006	0503012181	1.1/4" NUT		01
007	0503011084	3/4" X 5" BOLT		01
008	0503010023	3/4" SPRING WASHER		01
009	0503010014	3/4" NUT		01
010	0503013394	3/4" X 3" BOLT		06
011	0511017305	FLAT WASHER		06

<b>Item</b>	<b>Code</b>	<b>Description</b>	<b>See page</b>	<b>QT</b>
012	0503010014	3/4" NUT		12



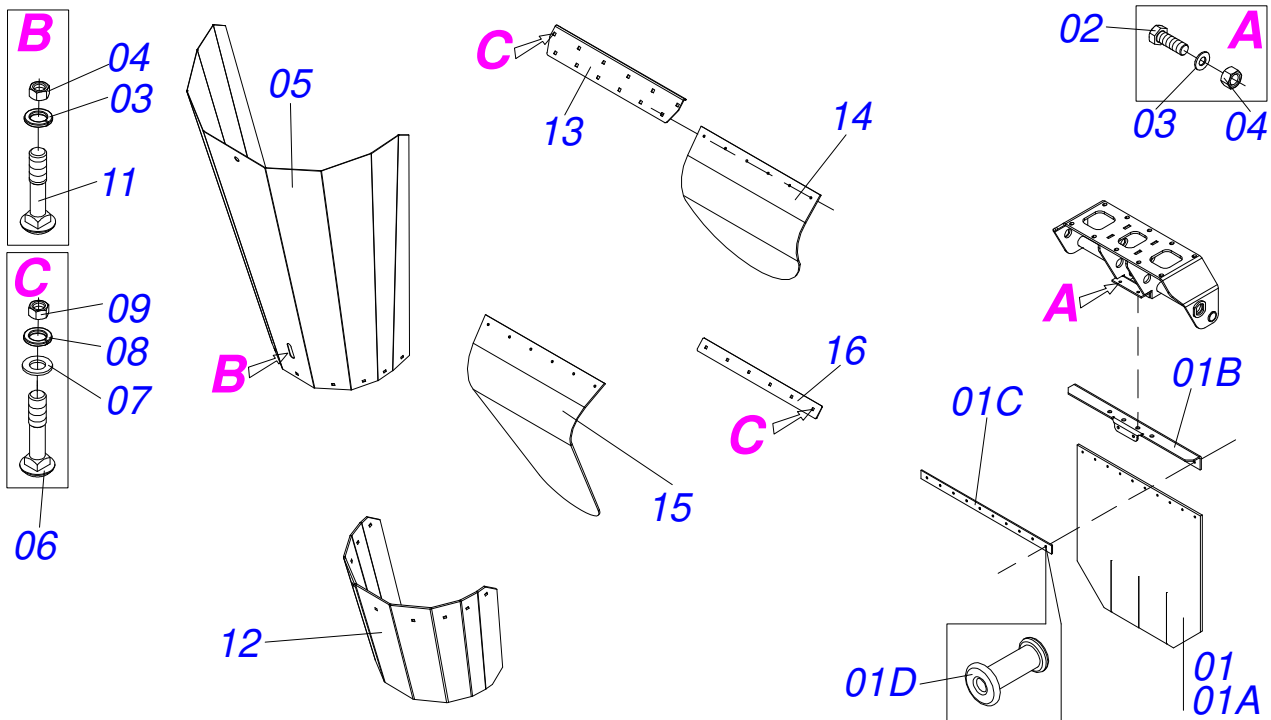
Item	Code	Description	See page	QT
001	0503010019	1/2" SPRING WASHER		04
002	0503010023	3/4" SPRING WASHER		01
003	0503012241	SNC 1/2" ZIN 1K03068 NUT		04
004	0503010014	3/4" NUT		01
005	0503011084	3/4" X 5" BOLT		01
006	0503010740	BOLT 1/2 UNC X 2 CS G.5 ZN		04
007	0521062494	ARM		01
008	0561019384	PIN PACC 152010 417713189		01
009	0503011345	1/4" X 3-1/2" COTTERPIN		02



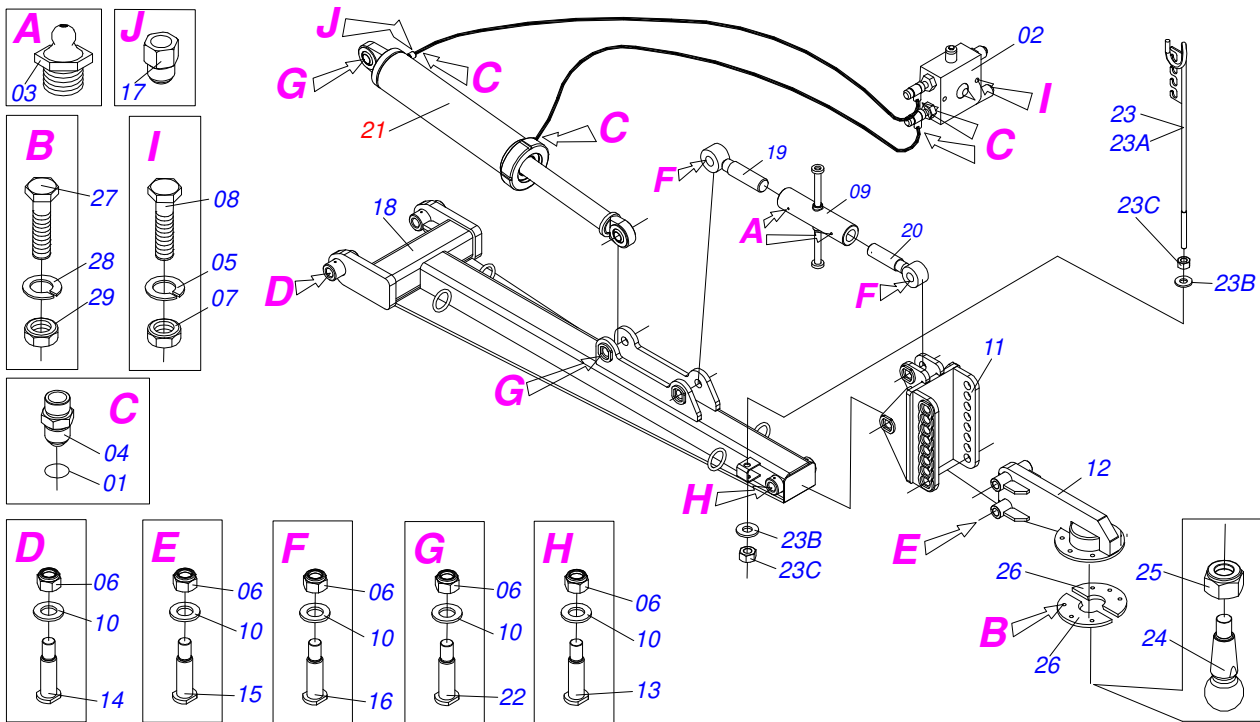
Item	Code	Description	See page	QT
001	0501017574	0.3" X 2.7" AXLE		06
002	0503010140	1/8" X 3/4" COTTERPIN		06
003	0501078174	COVER		01
004	0503015450	BUTTERFLY NUT 1/4 NC		01
005	0501010694	8.5 X 18 X 1.5 FLAT WASHER		01
006	0503014820	COROTE BLACK WATER		01
007	0503011957	NYLON LUG		02
008	0503010461	1/4" X 1" BOLT		02
009	0503010143	1/4" SPRING WASHER		02
010	0503010144	1/4" NUT		02
011	0503010179	5/16" ZN SPRING WASHER		04
012	0503010025	3/8" SPRING WASHER		04
013	0503010019	1/2" SPRING WASHER		20
014	0503010337	5/16" NUT		04
015	0503010026	3/8" NUT		04
016	0503012241	SNC 1/2" ZIN 1K03068 NUT		20
017	0503010363	5/16" X 1" BOLT		04
018	0501010155	1/2" X 1" BOLT		04
019	0501010161	1/2" X 1.1/4" BOLT		08
020	0503010920	1/2" X 1.1/2" BOLT		10
021	0501010937	13.5 X 28 X 3 FLAT WASHER		28
022	0501013518	FLAT WASHER		04
023	0551016768	HANDLE		01
024	0521061897	RIGHT COVER		01
025	0521061896	COVER LEFT		01
026	0503030085	LOCK PIN		02
027	0521061898	BACK BAR		01
028	0521061905	LADDER 7 STEPS		01
029	0501010108	5/8" X 1" BOLT		07
030	0501010301	FLAT WASHER		06
031	0503010013	5/8" NUT		03



<b>Item</b>	<b>Code</b>	<b>Description</b>	<b>See page</b>	<b>QT</b>
032	0521061916	PLATFORM ARTICULABLE		01
033	0521061938	FRONT CHAIN		02
034	0561010367	PIN LOCK PACC 200087 41772877		01
035	0551016768	HANDLE		01
036	0503032961	SPRING		01
037	0503010257	1/8" X 1" COTTERPIN		01
038	0501078193	LADDER		01
039	0561013779	PIN PLATFORM		02
040	0561014789	PLATE ADHESIVE		01
041	0521062500	ROLLER SUPPORT		02

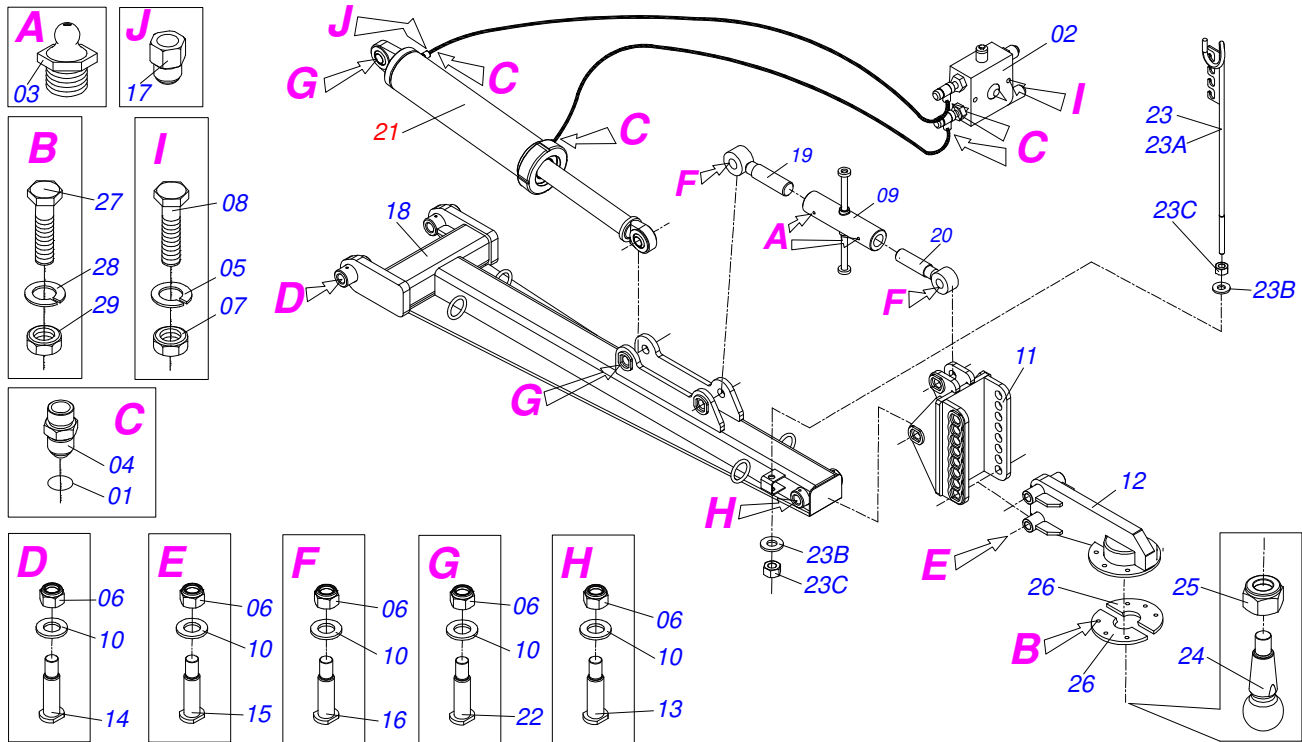


Item	Code	Description	See page	QT
001	0511046229	CANA DIRECTO		01
002	0503011087	3/8" X 1" BOLT		02
003	0503010025	3/8" SPRING WASHER		02
004	0503010026	3/8" NUT		02
005	0571013674	REAR SLIDES		01
006	0503014734	BOLT		02
007	0503011828	FLAT WASHER		02
008	0503010019	1/2" SPRING WASHER		02
009	0503010060	1/2" NUT		02
010	0503014693	JOINT RUBBER		01
011	0501011643	3/8 X 1" BOLT		11
012	0503010025	3/8" SPRING WASHER		11
013	0503010026	3/8" NUT		11
014	0571013675	SHEET RUBBER		01
015	0501011643	3/8 X 1" BOLT		08
016	0503010025	3/8" SPRING WASHER		08
017	0503010026	3/8" NUT		08
018	0571013676	FIXER PLATE PLAID RUBBER		01
019	0503011087	3/8" X 1" BOLT		06
020	0503010025	3/8" SPRING WASHER		06
021	0503010026	3/8" NUT		06
022	0551019122	BICA SUPPORT		01
023	0551019121	JOINT RUBBER		01
024	0551019123	REINFORCING BICA		01
025	0501011643	3/8 X 1" BOLT		06
026	0503010025	3/8" SPRING WASHER		06
027	0503010026	3/8" NUT		06

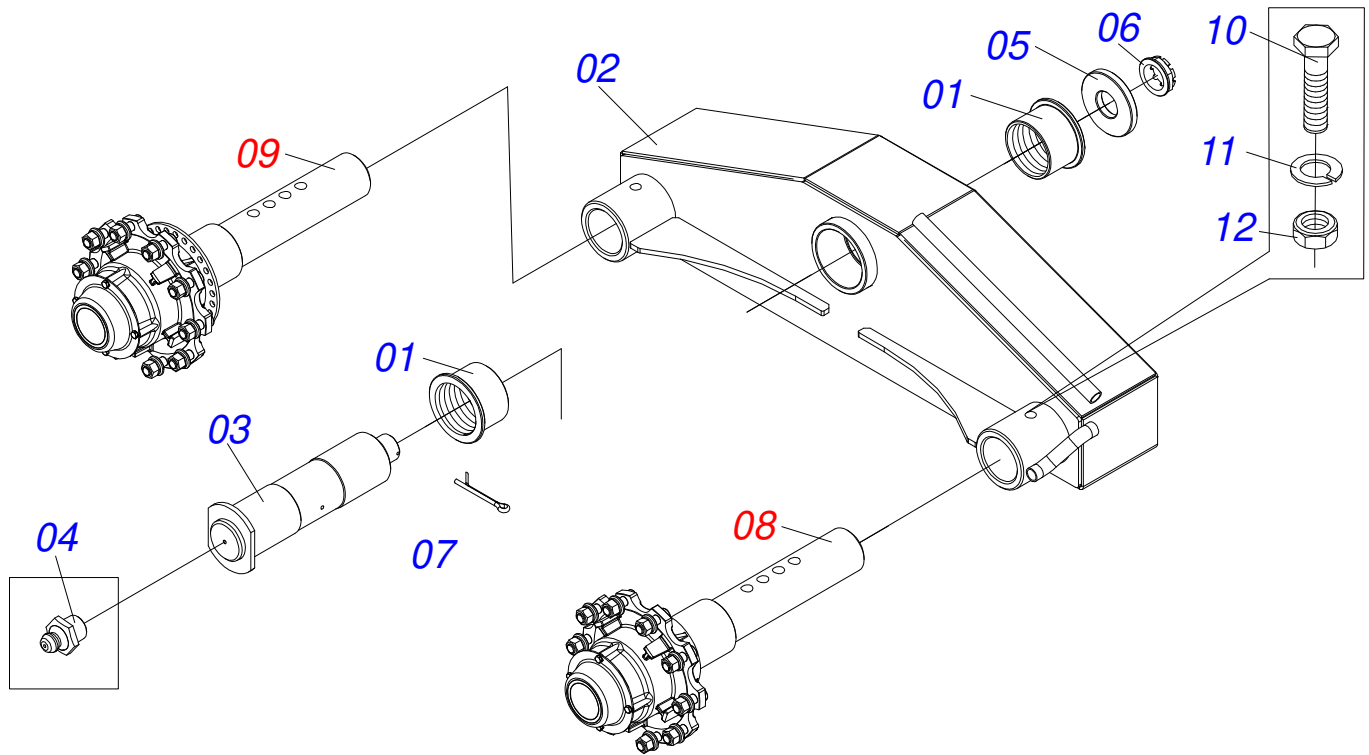


Item	Code	Description	See page	QT
001	0503010045	O'RING		05
002	0503014847	FLOATING BLOCK OF COMMAND		01
003	0503010002	1800 GREASE FITTING		11
004	0501010590	NIPPLE		05
005	0501040257	3/4 X 1200 HOSE HOLDER A		01
005A	0511067334	HOSE SOPPORT ASSY		01
005B	0501010322	FLAT WASHER		02
005C	0503010014	3/4" NUT		02
006	0503010179	5/16" ZN SPRING WASHER		02
007	0503010063	1" SELF-ALIGNING NUT		09
008	0503010337	5/16" NUT		02
009	0503010937	5/16" X 3" BOLT		02
010	0521064063	ADJUSTMENT NUT		01
011	0521019701	WASHER FLAT AXLE		09
012	0511065910	FIXER PLATE COUPLING		01
013	0511068270	HITCH FRONT		01
014	0541015756	HITCH PIN MALE		01
015	0503010290	SELF ADJUSTING 1.1/2" UNF NUT		01
016	0551013923	FLANGE BI-LEAVING		02
017	0503010013	5/8" NUT		06
018	0503010027	5/8" SPRING WASHER		06
019	0501010100	SCREW 5/8 UNC X 2 CS G.5 ZN		06
020	0511065500	FIXATION PIN PLATE		01
021	0511065502	HITCH PIN HEADER		02
022	0511065503	HITCH PIN		02
023	0511065889	PIN HITCH EXTENDER		02
024	0541014208	HIDRAULIC ADAPTER		02
025	0521064205	DRAWBAR		01
026	0511060734	RH REGULATOR SPINDLE		01
027	0511060735	LH REGULATOR SPINDLE		01
028	0511047916	HYDRAULIC CYLINDER	12	01

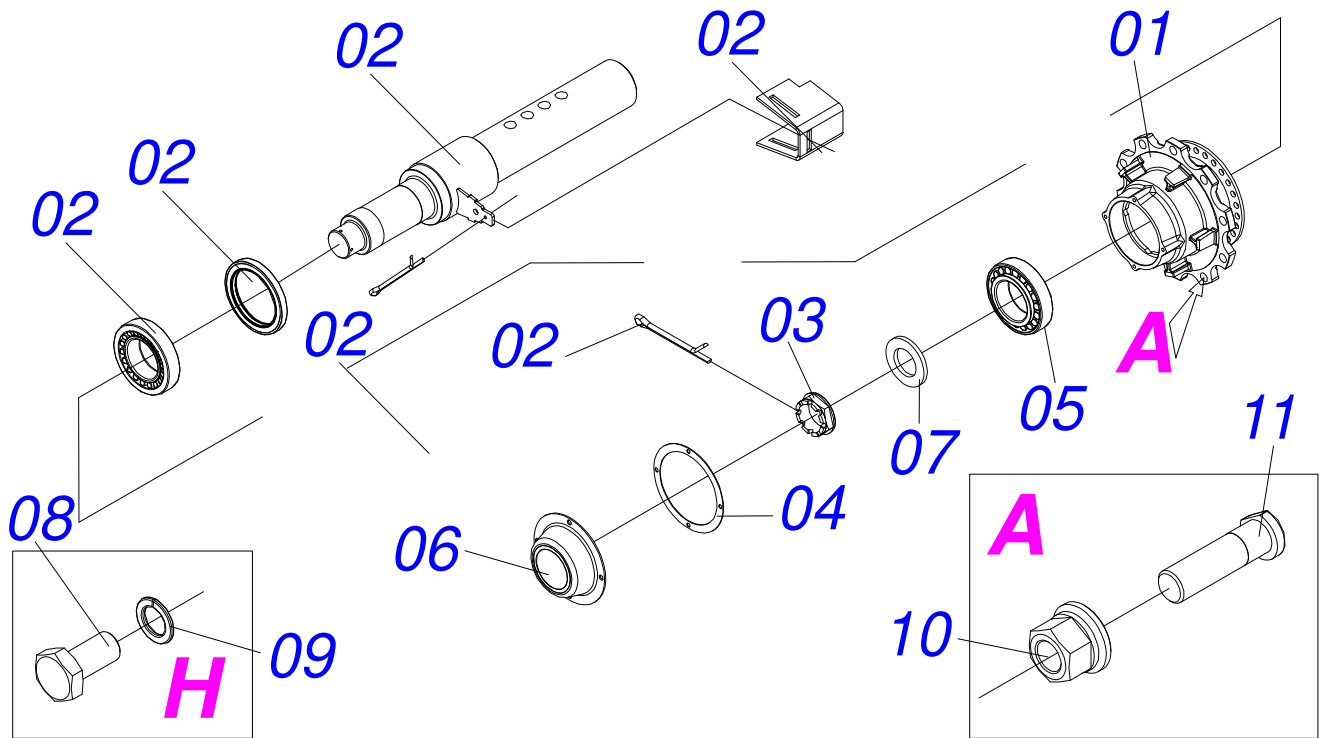
<b>Item</b>	<b>Code</b>	<b>Description</b>	<b>See page</b>	<b>QT</b>
029	0501078681	SUPPORT PIN		02



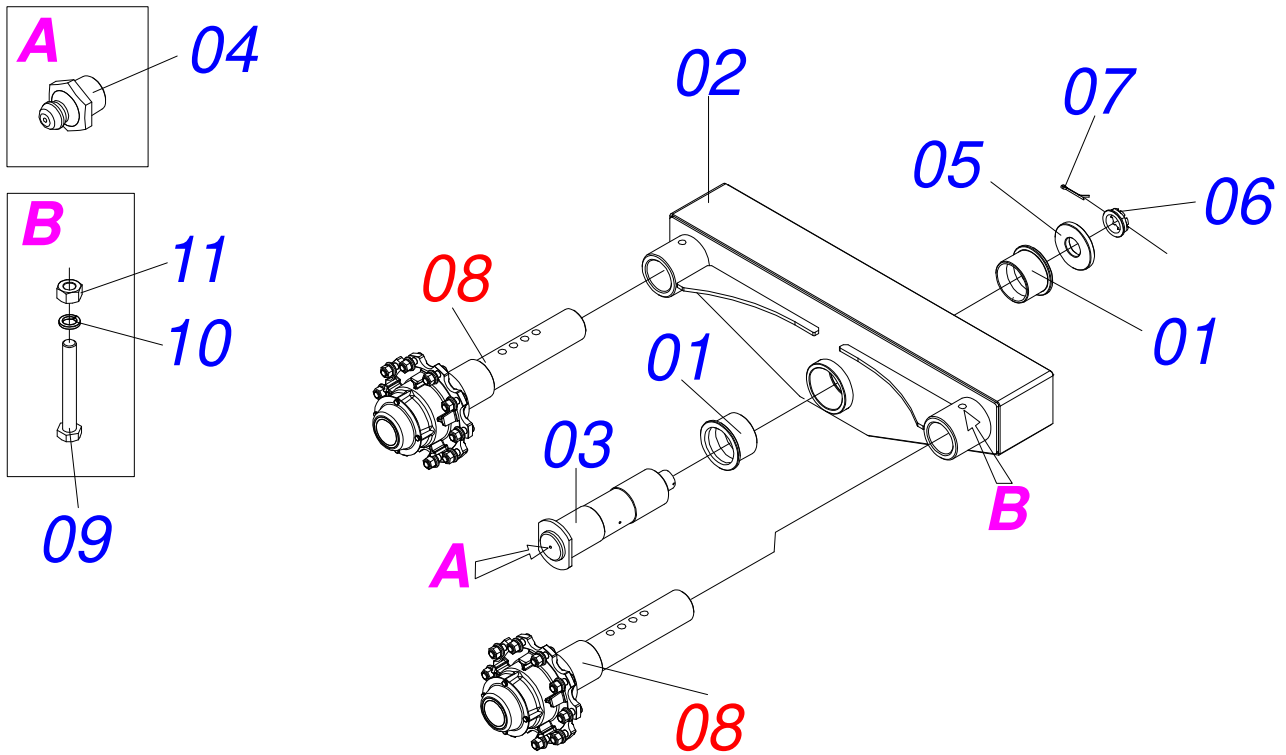
Item	Code	Description	See page	QT
001	0503010045	O'RING		05
002	0503014847	FLOATING BLOCK OF COMMAND		01
003	0503010002	1800 GREASE FITTING		11
004	0501010590	NIPPLE		05
005	0503010179	5/16" ZN SPRING WASHER		02
006	0503010063	1" SELF-ALIGNING NUT		09
007	0503010337	5/16" NUT		02
008	0503010937	5/16" X 3" BOLT		02
009	0521064063	ADJUSTMENT NUT		01
010	0521019701	WASHER FLAT AXLE		09
011	0511065910	FIXER PLATE COUPLING		01
012	0511065911	HITCH 20270 FRONT		01
013	0511065500	FIXATION PIN PLATE		01
014	0511065502	HITCH PIN HEADER		02
015	0511065503	HITCH PIN		02
016	0511065889	PIN HITCH EXTENDER		02
017	0541014208	HIDRAULIC ADAPTER		02
018	0521060743	DRAWBAR		01
019	0511060734	RH REGULATOR SPINDLE		01
020	0511060735	LH REGULATOR SPINDLE		01
021	0511047916	HYDRAULIC CYLINDER	12	01
022	0501078681	SUPPORT PIN		02



Item	Code	Description	See page	QT
001	0531016429	BUSHING		02
002	0521062504	LH ARM TANDEM		01
003	0521062517	PIVOT SHAFT		01
004	0503010002	1800 GREASE FITTING		01
005	0551012036	FLAT WASHER		01
006	0502040080	2.1/2" SLOTTED NUT		01
007	0503011345	1/4" X 3-1/2" COTTERPIN		01
008	0511053544	WHEEL HUB ASSEMBLY	45	01
009	0511053545	WHEEL HUB ASSEMBLY	43	01
010	0501010219	1" X 7-1/2" BOLT		02
011	0503010012	1" SPRING WASHER		02
012	0503012182	1" NUT		02

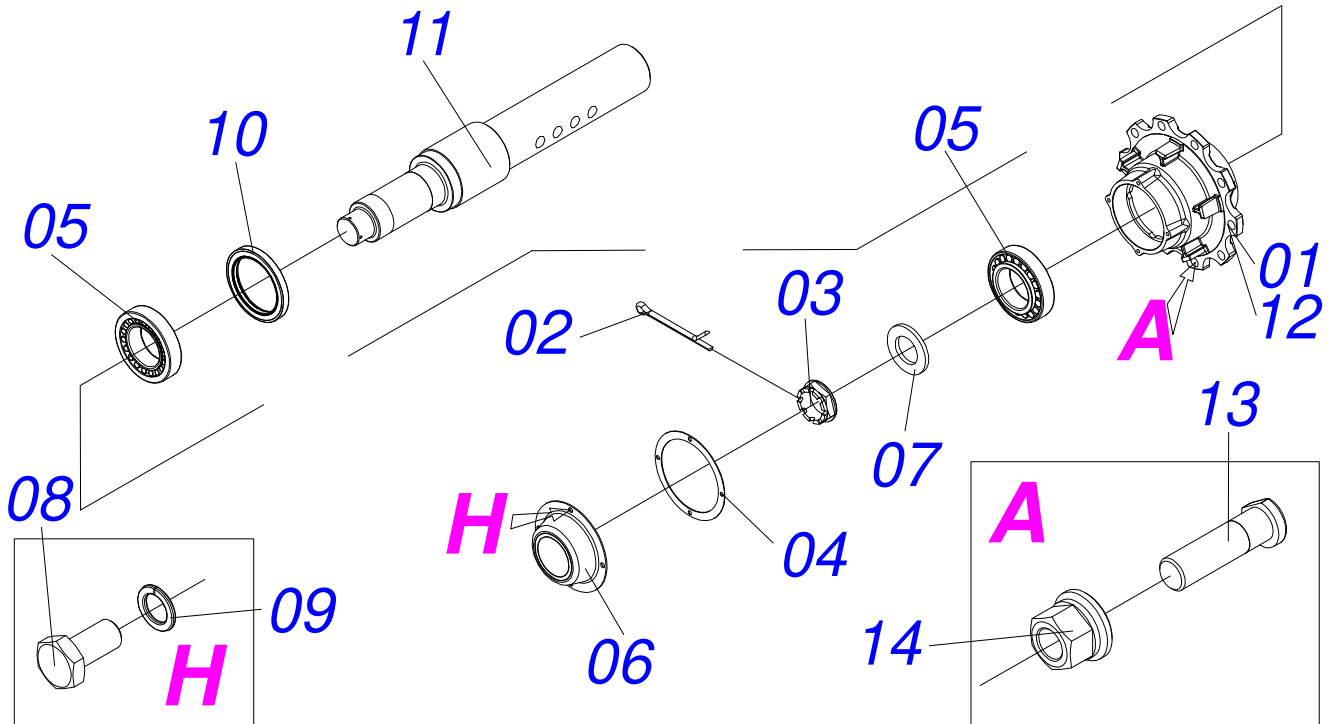


Item	Code	Description	See page	QT
000	0511053545	WHEEL HUB ASSEMBLY	43	01
001	0501077619	WHEEL HUB		01
002	0503012213	1/4" COTTERPIN		01
003	0502040080	2.1/2" SLOTTED NUT		01
004	0503013548	DUST CAP		01
005	0503010118	32218 ROLLER BEARING		02
006	0503013549	HUB CUP		01
007	0531019986	64 X 110 X 9.5 FLAT WASHER		01
008	0503013546	10 X 1.5 X 20MM BOLT		04
009	0503013542	M10 SPRING WASHER		04
010	0503014048	22 X 1.5 HEX NUT		10
011	0503014050	22 X 1.5 BOLT		10
012	0503013541	SEAL		01
013	0503010071	3/16" X 1" COTTERPIN		01
014	0551016555	PROTECTING CR 95280/2/1PACC 4183099		01
015	0521064206	825 AXLE		01

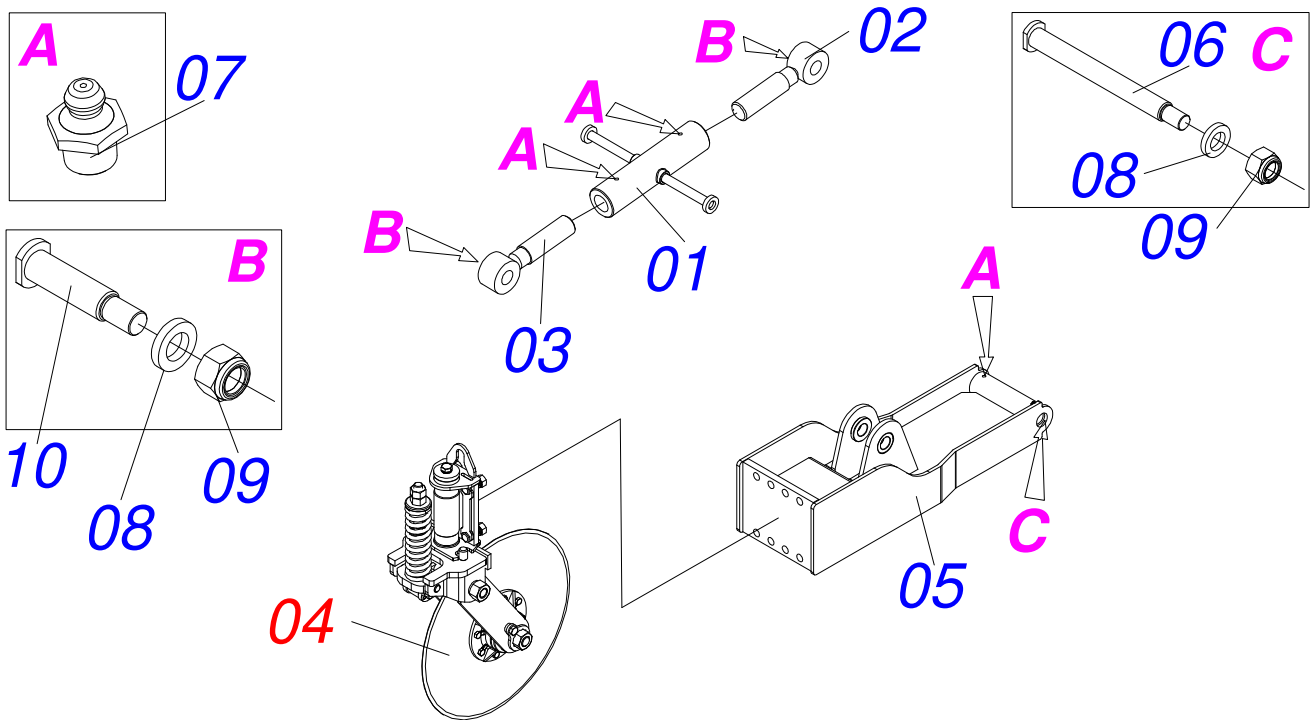


Item	Code	Description	See page	QT
001	0531016429	BUSHING		02
002	0521062503	RH ARM TANDEM		01
003	0521062517	PIVOT SHAFT		01
004	0503010002	1800 GREASE FITTING		01
005	0551012036	FLAT WASHER		01
006	0502040080	2.1/2" SLOTTED NUT		01
007	0503011345	1/4" X 3-1/2" COTTERPIN		01
008	0511053544	WHEEL HUB ASSEMBLY	45	02
009	0501010219	1" X 7-1/2" BOLT		02
010	0503010012	1" SPRING WASHER		02
011	0503012182	1" NUT		02

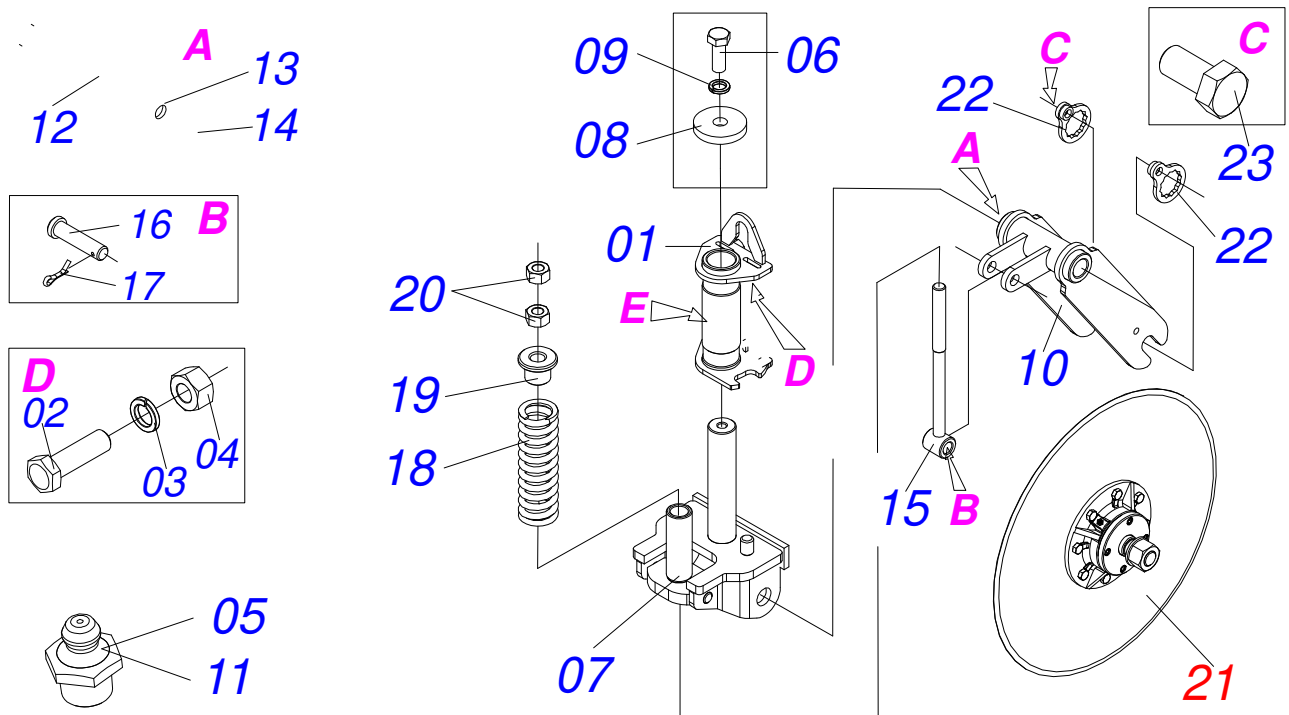




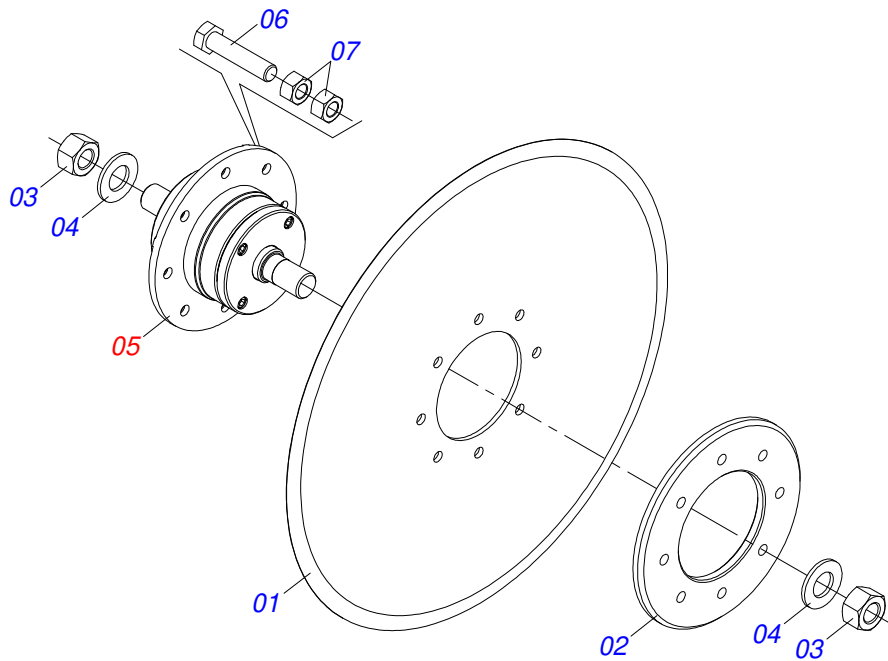
Item	Code	Description	See page	QT
000	0511053544	WHEEL HUB ASSEMBLY	45	01
001	0501110761	HUB AND BOLT		01
002	0503012213	1/4" COTTERPIN		01
003	0502040080	2.1/2" SLOTTED NUT		01
004	0503013548	DUST CAP		01
005	0503010118	32218 ROLLER BEARING		02
006	0503013549	HUB CUP		01
007	0531019986	64 X 110 X 9.5 FLAT WASHER		01
008	0503013546	10 X 1.5 X 20MM BOLT		04
009	0503013542	M10 SPRING WASHER		04
010	0503013541	SEAL		01
011	0571013364	825 AXLE		01



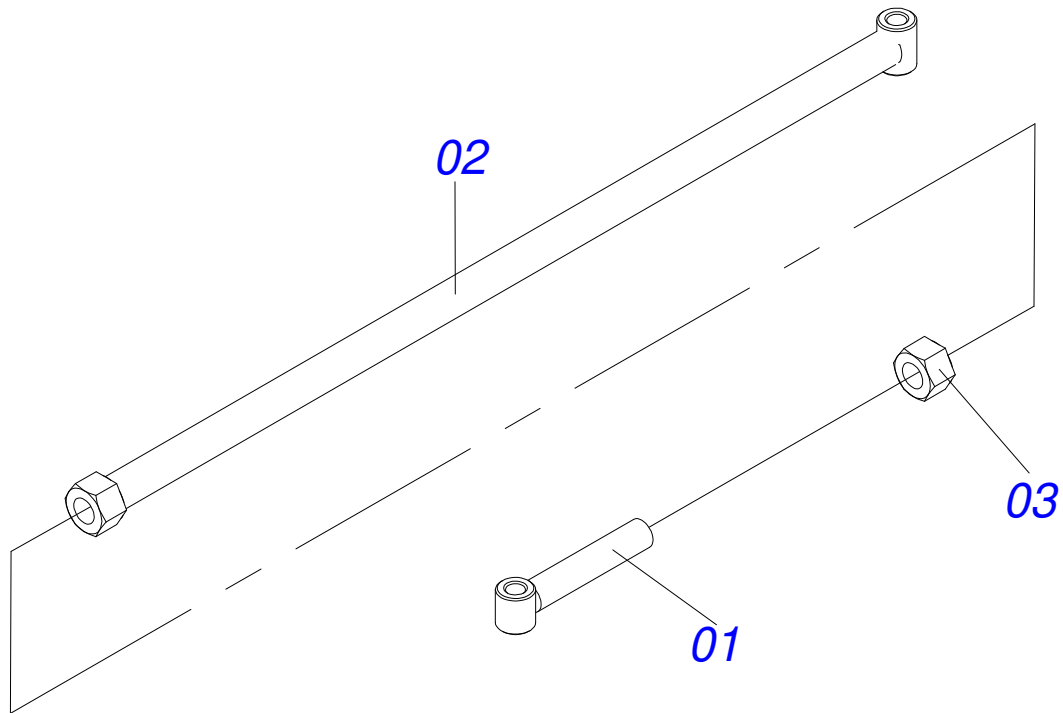
Item	Code	Description	See page	QT
001	0521064063	ADJUSTMENT NUT		01
002	0511060734	RH REGULATOR SPINDLE		01
003	0511060735	LH REGULATOR SPINDLE		01
004	0511043642	23" BLADE DISC ASSY	47	01
005	0521062491	SUPPORT		01
006	0521062489	PIN		01
007	0503010002	1800 GREASE FITTING		02
008	0521019701	WASHER FLAT AXLE		03
009	0503010063	1" SELF-ALIGNING NUT		03
010	0521062490	PIN		02



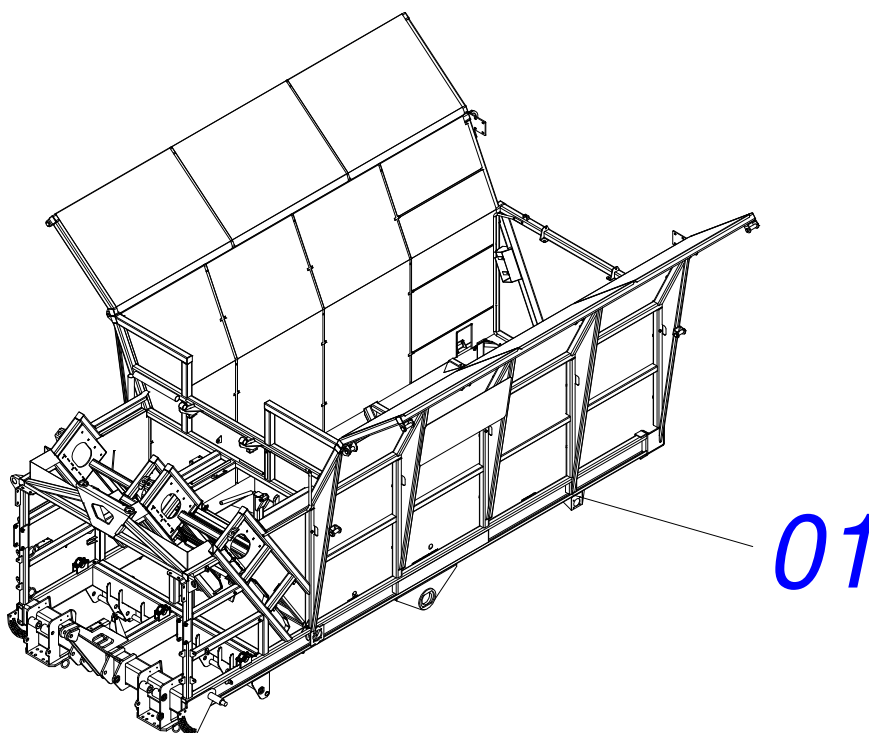
Item	Code	Description	See page	QT
001	0501052013	24" BLADE DISC WITH HOUSING	48	01
002	0501069386	BLADE DISC SUPPORT		01
003	0501069637	AXLE NUT LOCK		02
004	0501069638	R1" X 13.8" X 0.9" SPRING ROD		01
005	0501069639	BLADE DISC BASE SWIVEL		01
006	0501069640	BLADE DISC FORK		01
007	0501010059	1.5/8 NUT		02
008	0501010087	1.1/4" NUT		01
009	0501010098	3/4" UNC BOLT		01
010	0501010125	3/4" X 2-1/2" BOLT		04
011	0503010002	1800 GREASE FITTING		02
012	0503010002	1800 GREASE FITTING		01
013	0503010571	1/4" X 1.1/2 COTTERPIN		01
014	0503011442	3/4" SPRING WASHER		01
015	0503011442	3/4" SPRING WASHER		04
016	0503031390	2.1"X10"X1/2" COMPRESSION SPRING		01
017	0503010014	3/4" NUT		04
018	0503010962	5/8" X 1-1/4" BOLT		02
019	0521012659	SPRING ROD AXLE FIXER		01
020	0521012660	WASHER		01
021	0521012662	ROTATIVE AXLE FIXER FORK BASE		01
022	0521012663	SPRING SLEEVE FIXER		01
023	0521012664	FLAT WASHER		01
024	0521160040	PAINTING BLACK		02
025	0521160040	PAINTING BLACK		02



Item	Code	Description	See page	QT
01	0603030044	24" X 0.2" FLAT PLAIN DISC		01
02	0521011824	BLADE DISC FLANGE OUTER		01
03	0501010087	1.1/4" NUT		02
04	0501017779	32 X 60 X 4.75 FLAT WASHER		02
05	0501057526	DISC HUB		01
06	0503010905	1/2" X 2-1/4" BOLT		08
07	0503010060	1/2" NUT		16

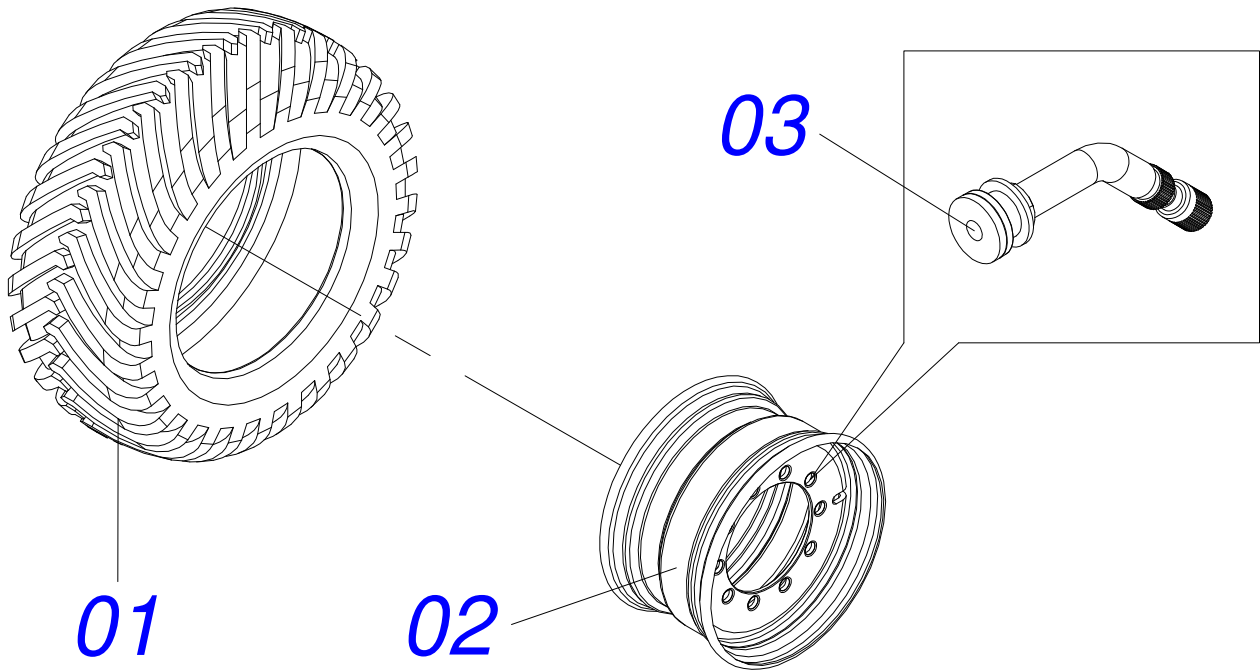


Item	Code	Description	See page	QT
001	0501078625	ASSEMBLY		01
002	0501078639	ASSEMBLY		01
003	0502040418	2" NUT		01
004	0521160091	PAINTING ORANGE		00



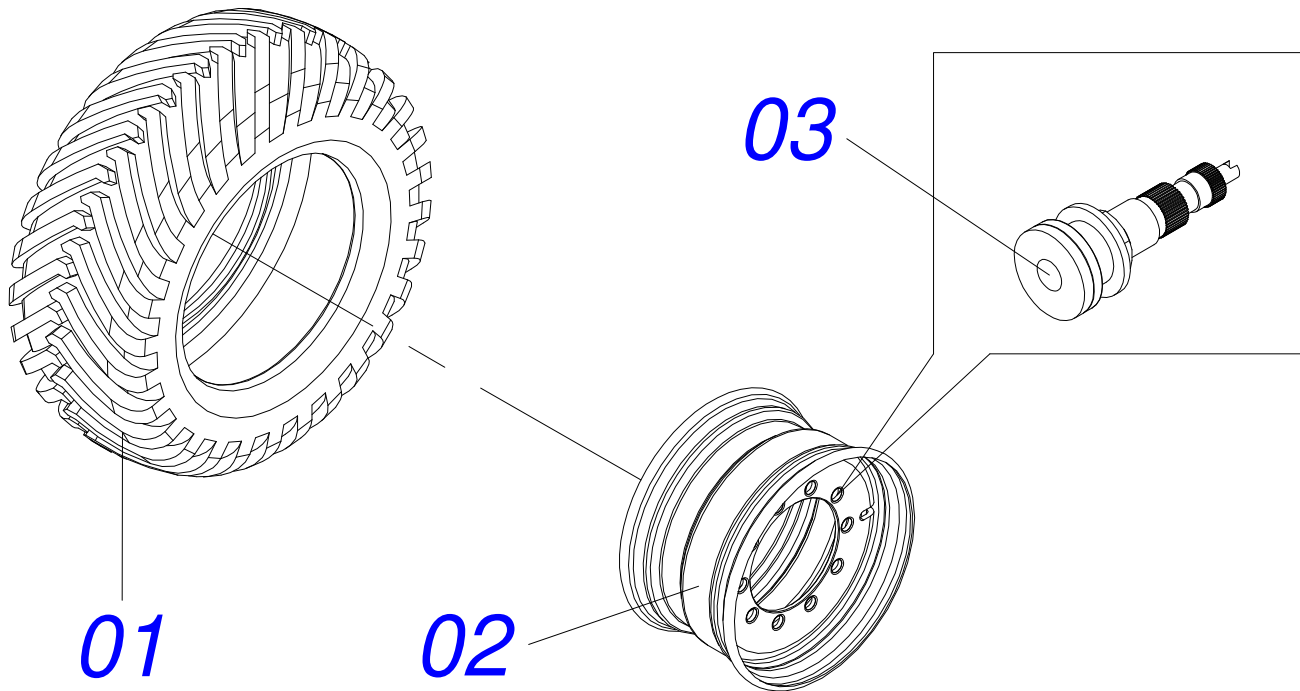
Item	Code	Description	See page	QT
001	0501079173	SET FRONT		01
002	0501079170	SUBSOILER		01
003	0501079171	SUBSOILER		01
004	0561017594	PACC 151123 TUBE		01
005	0561017531	EYELET		02
006	0521060927	REAR SUPPORT		01
007	0561017530	EYELET		02
008	0551016792	CENTRAL COVER		01
009	0501078686	SUBSOILER		01
010	0561011617	COMPLEMENT SIDE LEFT		01
011	0561011618	PLATE IDENTIFICATION		02
012	0551016802	BOX SUPPORT		01
013	0501079175	FIXER SIDE		02
014	0561011620	TUBE PACC 150115		01
015	0561017593	SUPPORT TUBE		01
016	0551019892	SUPPORT AIR CONDITIONING		01
017	0501078389	BEATER BOX		01
018	0561017589	VALVE TUBE		01
019	0561017577	EAR REAR		02
020	0561017587	LEFT TUBE		01
021	0561017588	RIGHT TUBE		01
022	0501077664	SUPPORT		01
023	0561011616	COMPLEMENT SIDE RIGHT		01
024	0551019881	STRENGTHENING FLOOR		02
025	0551016830	REAR SUPPORT		02
026	0551018084	COMPLEMENT BICA RIGHT		01
027	0551018083	COMPLEMENT BICA LEFT		01
028	0501079731	FRAME BASE		01
029	0501079907	FRENCH HAND		01
030	0501079908	FRENCH HAND		01
031	0501079905	TUBE		01

Item	Code	Description	See page	QT
032	0501079904	UPPER CLOSED		01
033	0501079911	SUPPORT		01
034	0501079910	SIDE		01
035	0501079909	SIDE		01
036	0501079906	TUBE		01
037	0501079174	SUPPORT		01
038	0571013569	UPPER SLIDES		02
039	0571013570	COMPLEMENT SUPPORT RIGHT		02
040	0571013571	COMPLEMENT SUPPORT LEFT		02
041	0571013572	FIXER SUPPORT LOWER SLIDES		02
042	0571013573	FIXER SUPPORT LOWER SLIDES		02
043	0571013574	PLATE UPPER		02
044	0571013588	SUPPORT BOX FERTILIZER		01
045	0571014955	TUBE ELECTRICAL		01
046	0571014954	PACC TUBE		01
047	0571014961	TUBE ELECTRICAL		01
048	0571015116	18,4 X 20,9 X 550 TUBE		01
049	0571015115	18,4 X 20,9 X 310 TUBE		01
050	0571015114	18,4 X 20,9 X 1555 TUBE		01
051	1215109911	WELDING WIRE		03



Item	Code	Description	See page	QT
001	0503014785	TYRE 400/55-22,5 14L 1G110891		01
002	0503033536	RING		01
003	0503016098	VALVE		01





Item	Code	Description	See page	QT
001	0503014199	TYRE 500/60-22.5 12L T404 1G23329		01
002	0503014187	16.00 WHEEL X 22,5		01
003	0503013999	VALVE		01



# ANNOTATION

Lined area for annotations consisting of 26 horizontal lines.





***CIVEMASA***

[www.civemasa.com.br](http://www.civemasa.com.br)



**Technical Publications | Elaboration and Revision**  
JOSÉ DOMINGOS GASPARI