

OVERFLOW TRUCK

TAC 10500

Code: 0501090899
Series: S-0412
Revision: 00
Revision Date: SETEMBRO/2021

PARTS CATALOGUE

CIVEMASA

PRODUCTS

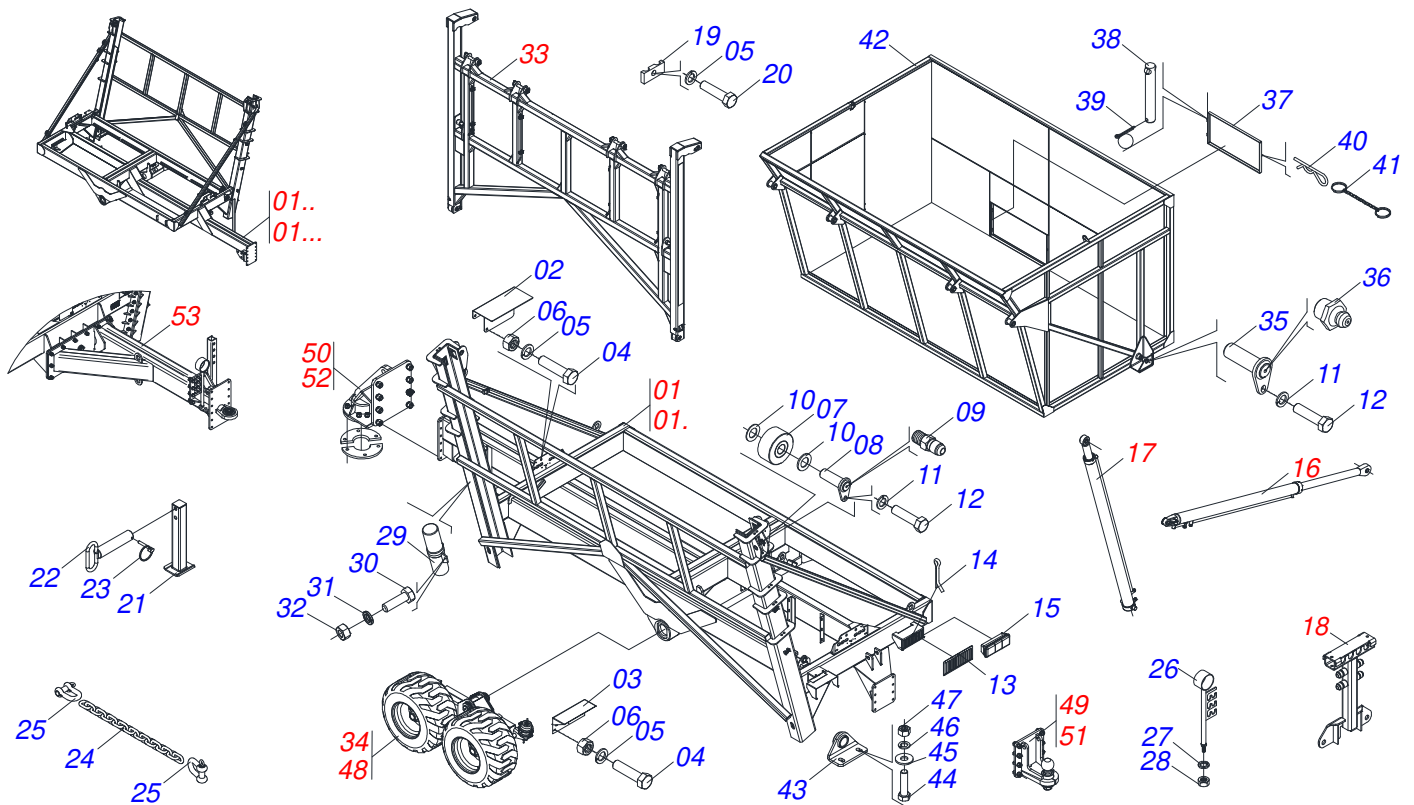
Code	Description
0120420299	TAC 10500 D 3,0 BOLA C/ARO S/PNEU S-0412
0120420325	TAC 10500 C 1,90 BOLA S-0412
0120420326	TAC 10500 C 1,90 BOLA C/ARO S/PNEU
0120420323	TAC 10500 C 1,90 CAB FLAN RAQ S0412
0120420322	TAC 10500 C 1,90 RAQ F S/FR S-0412
0120420303	TAC 10500 C 2,8 BOLA 3/4 HF S0412
0120420306	TAC 10500 C 2,80 BOLA S-0412
0120420301	TAC 10500 D 2,50/2,70 BOLA S-0412
0120420307	TAC 10500 D 2,80 BOLA S-0412
0120420331	TAC 10500 D 2.8/3.0 BOLA SHI S-0412
0120420334	TAC 10500 D 2.80/3.0 B C/ARO S/PNEU
0120420317	TAC 10500 D 2.80/3.0 BOLA S-0412
0120420330	TAC 10500 D 2.80/3.0 RAQ FORJ S0412
0120420309	TAC 10500 D 3,0 BOLA S-0412
0120420314	TAC 10500 D 3,0 RAQ VSEH S-0412

ATTENTION: IMPORTANT

Civemasa reserves the right to improve and / or modify the technical features of its products, without obligation to do the same with those products already sold and without prior knowledge of the dealer or the consumer.

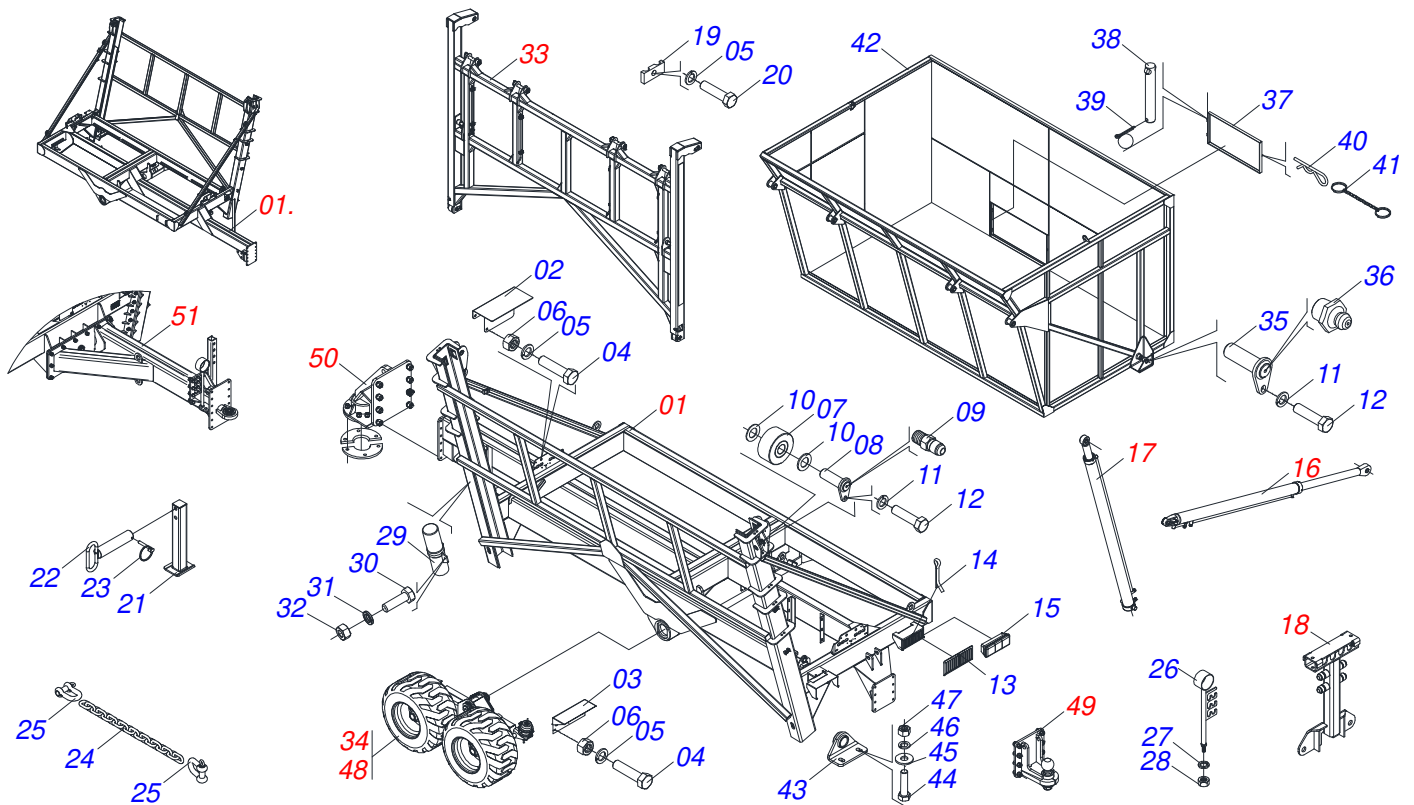
INDEX

0909091965	FRAME ASSY FIJO/OFFSET 2.45/2.75/3.00	1
0909091977	FRAME ASSY FIJO/OFFSET 2,80	2
0909091978	CENTRAL HEADER FIJO/OFFSET 1,90	3
0511050541	FRAME BITOLA 2.45/2.75	4
0511049103	CHASSIS BIT 2.50/2.75 TAC	5
0501059748	CHASSIS BITOLA 3.0	6
0511051297	2.5/2.7 SEMI MOUNTED FRAME	7
0511051562	FRAME 2,8	8
0511051563	OFFSET FRAME 2.80	9
0511059750	FRAME 1,90	10
0511050525	OFFSET CHASSIS 1.90	11
0501059957	SISTEM ELECTRICAL	12
0501059628	PNEUMATIC SYSTEM	13
0501059958	HYDRAULIC SYSTEM	14
0501059959	HOSE GAME	15
0511047791	CILINDER ROCKER	16
0511045963	HYDRAULIC CYLINDER	17
0501059960	TOWER HOSE	18
0511047914	LIFT ASSY	19
0521046956	FULL RIGHT ROCKER	20
0511049104	RIGHT BELL CRANK	21
0511049795	RIGHT BELL CRANK	22
0511048553	SKEP ASSY	23
0511048331	SKEP ASSY	24
0511049105	LEFT BELL CRANK	25
0511049794	LEFT BELL CRANK	26
0521046955	FULL LEFT ROCKER	27
0511048550	HITCH FRONT	28
0511048554	ASSY 5" BALL TRANSPORT HITCH	29
0511048316	HITCH BALL FRONT	30
0511048317	HITCH BALL REAR	31
0511048395	DRAWBAR	32
0511048340	DRAWBAR	33
0511047991	LIFT ASSY	34
0521046973	RIGHT AND LEFT BELL CRANK	35
0511048893	SKEP ASSY	36
0511049091	HITCH FRONT	37
0511048421	HITCH REAR RACKET	38
0521050366	LEFT AND RIGHT BALANCE SHEET	39
0511045858	WHEEL HUB ASSY WITH BRAKE	40
0511048127	WHEEL HUB	41



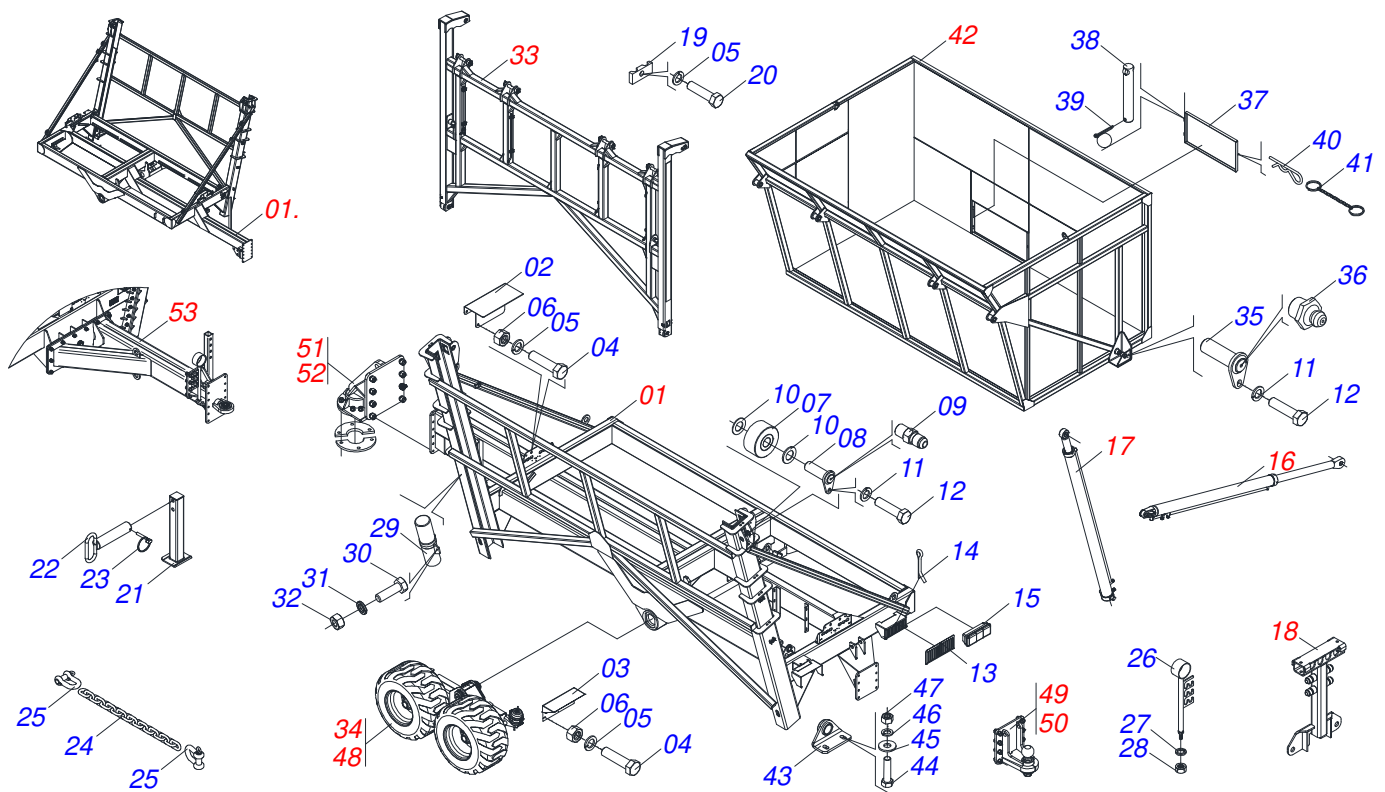
Item	Code	Description	See page	2,45	2,50	2,70	2,75	3,00
01	0511050541	FRAME BITOLA 2.45/2.75	4	01	00	00	01	00
01.	0511049103	CHASSIS BIT 2.50/2.75 TAC	5	00	01	00	01	00
01..	0501059748	CHASSIS BITOLA 3.0	6	00	00	00	00	01
01...	0511051297	2.5/2.7 SEMI MOUNTED FRAME	7	00	01	01	00	00
02	0561012738	PROTECTION VALVE		01	01	01	01	01
03	0561017662	PROTECTION PANEL REAR		01	01	01	01	01
04	0503010256	3/8" X 3/4" BOLT		04	04	04	04	04
05	0503010025	3/8" SPRING WASHER		08	08	08	08	08
06	0503010026	3/8" NUT		06	06	06	06	06
07	0501110526	LOWER PULLEY		04	04	04	04	06
08	0511067985	PIN UPPER PULLEY		04	04	04	04	04
09	0503012776	1/8" NF NIPPLE		04	04	04	04	04
10	0551014871	FLAT WASHER		08	08	08	08	08
11	0503010019	1/2" SPRING WASHER		06	06	06	06	06
12	0503010834	1/2 X 1 BOLT		06	06	06	06	06
13	0561014113	PROTECTION BOX HEADLIGHT		02	02	02	02	02
14	0503010257	1/8" X 1" COTTERPIN		02	02	02	02	02
15	0503032811	FLASHLIGHT		02	02	02	02	02
16	0511047791	CILINDER ROCKER	16	02	02	02	02	02
17	0511045963	HYDRAULIC CYLINDER	17	02	02	02	02	02
18	0501059960	TOWER HOSE	18	01	01	01	01	01
19	0502012623	UPPER BODY HOSE CLAMP 3/4		02	02	02	02	02
20	0503010849	3/8" X 1-1/2" BOLT		02	02	02	02	02
21	0521061206	FRAME STRUT		01	01	01	01	01
22	0521060566	PIN LOCK JACK		02	02	02	02	02
23	0503030085	LOCK PIN		02	02	02	02	02
24	0503014120	CHAIN		01	01	01	01	01
25	0503014321	CABLE STEEL SHACKLE		02	02	02	02	02
26	0521061379	HOSE HOLDER		01	01	01	01	01
27	0503010023	3/4" SPRING WASHER		01	01	01	01	01
28	0503010014	3/4" NUT		01	01	01	01	01

Item	Code	Description	See page	2,45	2,50	2,70	2,75	3,00
29	0503060100	OPERATOR'S MANUAL STORAGE TUBE		01	01	01	01	01
30	0503010371	5/16" X 1" BOLT		01	01	01	01	01
31	0503010179	5/16" ZN SPRING WASHER		01	01	01	01	01
32	0503010337	5/16" NUT		01	01	01	01	01
33	0511047914	LIFT ASSY	19	01	01	01	01	01
34	0521046956	FULL RIGHT ROCKER	20	01	01	01	01	01
34.	0511049104	RIGHT BELL CRANK	21	01	01	01	01	01
34..	0511049795	RIGHT BELL CRANK	22	01	01	01	01	01
35	0511067982	PIVOT SHAFT BOX CYLINDER		02	02	02	02	02
36	0503010002	1800 GREASE FITTING		02	02	02	02	02
37	0511067601	COVER DOOR		01	01	01	01	01
38	0521010553	0.5" X 3" COUPLING SHAFT		02	02	02	02	02
39	0503010257	1/8" X 1" COTTERPIN		02	02	02	02	02
40	0503030168	HAIR PIN		01	01	01	01	01
41	0503011423	RING		01	01	01	01	01
42	0511048553	SKEP ASSY	23	01	01	01	01	01
42.	0511048331	SKEP ASSY	24	01	01	01	01	01
43	0511068514	BEARING		02	02	02	02	02
44	0503010232	5/8" X 1.3/4" BOLT		04	04	04	04	04
45	0501012140	FLAT WASHER		04	04	04	04	04
46	0503010027	5/8" SPRING WASHER		04	04	04	04	04
47	0503010013	5/8" NUT		04	04	04	04	04
48	0511049105	LEFT BELL CRANK	25	01	01	01	01	01
48.	0511049794	LEFT BELL CRANK	26	01	01	01	01	01
48..	0521046955	FULL LEFT ROCKER	27	01	01	01	01	01
49	0511048550	HITCH FRONT	28	01	01	01	01	01
50	0511048554	ASSY 5" BALL TRANSPORT HITCH	29	01	01	01	01	01
51	0511048316	HITCH BALL FRONT	30	01	01	01	01	01
52	0511048317	HITCH BALL REAR	31	01	01	01	01	01
53	0511048395	DRAWBAR	32	01	01	01	01	01



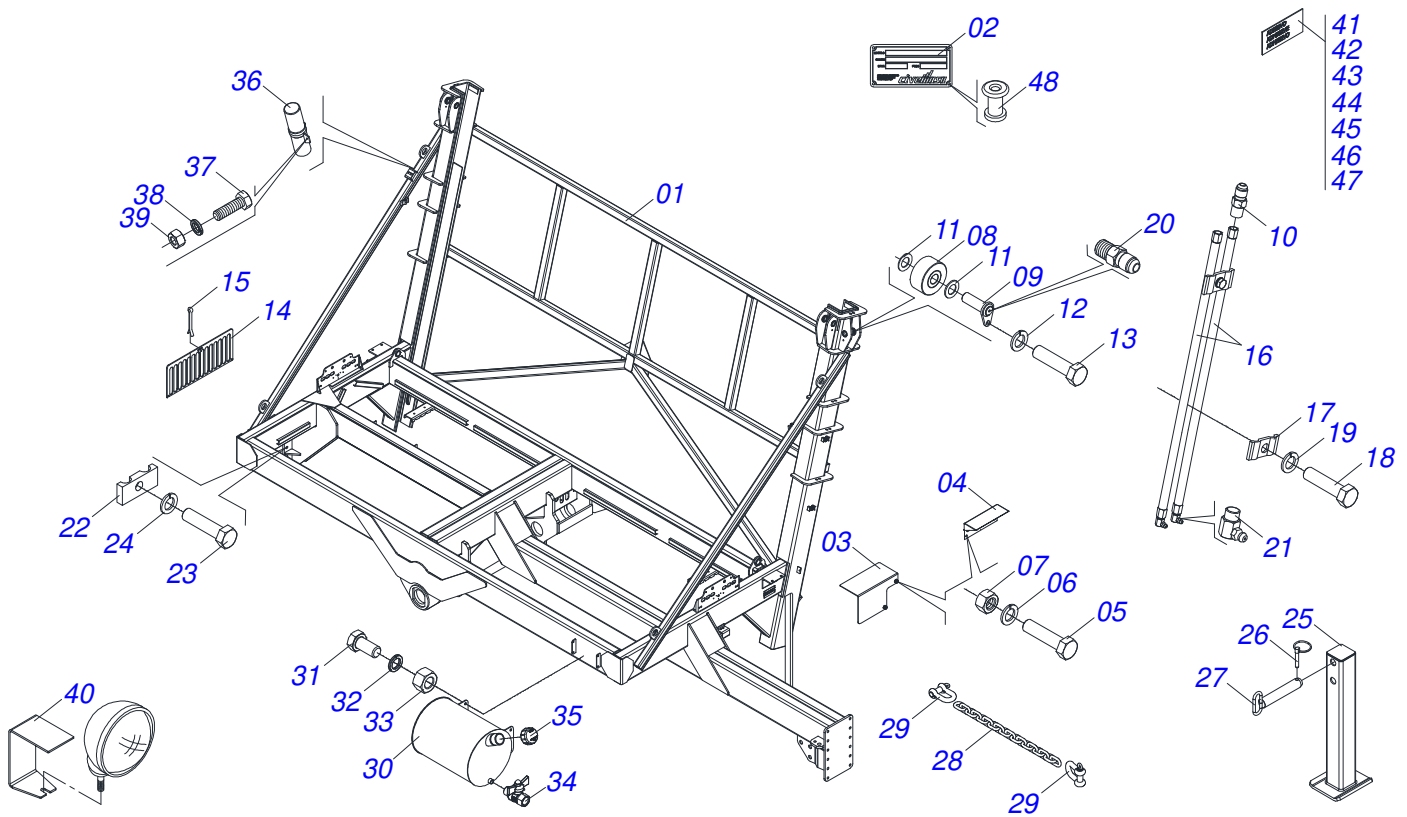
Item	Code	Description	See page	QT
01	0511051562	FRAME 2,8	8	01
01.	0511051563	OFFSET FRAME 2.80	9	01
02	0561012738	PROTECTION VALVE		01
03	0561017662	PROTECTION PANEL REAR		01
04	0503010256	3/8" X 3/4" BOLT		04
05	0503010025	3/8" SPRING WASHER		08
06	0503010026	3/8" NUT		06
07	0501110526	LOWER PULLEY		04
08	0511067985	PIN UPPER PULLEY		04
09	0503012776	1/8" NF NIPPLE		04
10	0551014871	FLAT WASHER		08
11	0503010019	1/2" SPRING WASHER		06
12	0503010834	1/2 X 1 BOLT		06
13	0561014113	PROTECTION BOX HEADLIGHT		02
14	0503010257	1/8" X 1" COTTERPIN		02
15	0503032811	FLASHLIGHT		02
16	0511047791	CILINDER ROCKER	16	02
17	0511045963	HYDRAULIC CYLINDER	17	02
18	0501059960	TOWER HOSE	18	01
19	0502012623	UPPER BODY HOSE CLAMP 3/4		02
20	0503010849	3/8" X 1-1/2" BOLT		02
21	0521061206	FRAME STRUT		01
22	0521060566	PIN LOCK JACK		02
23	0503030085	LOCK PIN		02
24	0503014120	CHAIN		01
25	0503014321	CABLE STEEL SHACKLE		02
26	0521061379	HOSE HOLDER		01
27	0503010023	3/4" SPRING WASHER		01
28	0503010014	3/4" NUT		01
29	0503060100	OPERATOR'S MANUAL STORAGE TUBE		01
30	0503010371	5/16" X 1" BOLT		01

Item	Code	Description	See page	QT
31	0503010179	5/16" ZN SPRING WASHER		01
32	0503010337	5/16" NUT		01
33	0511047914	LIFT ASSY	19	01
34	0511049795	RIGHT BELL CRANK	22	01
35	0511067982	PIVOT SHAFT BOX CYLINDER		02
36	0503010002	1800 GREASE FITTING		02
37	0511067601	COVER DOOR		01
38	0521010553	0.5" X 3" COUPLING SHAFT		02
39	0503010257	1/8" X 1" COTTERPIN		02
40	0503030168	HAIR PIN		01
41	0503011423	RING		01
42	0511048553	SKEP ASSY	23	01
42.	0511048331	SKEP ASSY	24	01
43	0511068514	BEARING		02
44	0503010232	5/8" X 1.3/4" BOLT		04
45	0501012140	FLAT WASHER		04
46	0503010027	5/8" SPRING WASHER		04
47	0503010013	5/8" NUT		04
48	0511049794	LEFT BELL CRANK	26	01
49	0511048316	HITCH BALL FRONT	30	01
50	0511048317	HITCH BALL REAR	31	01
51	0511048340	DRAWBAR	33	01



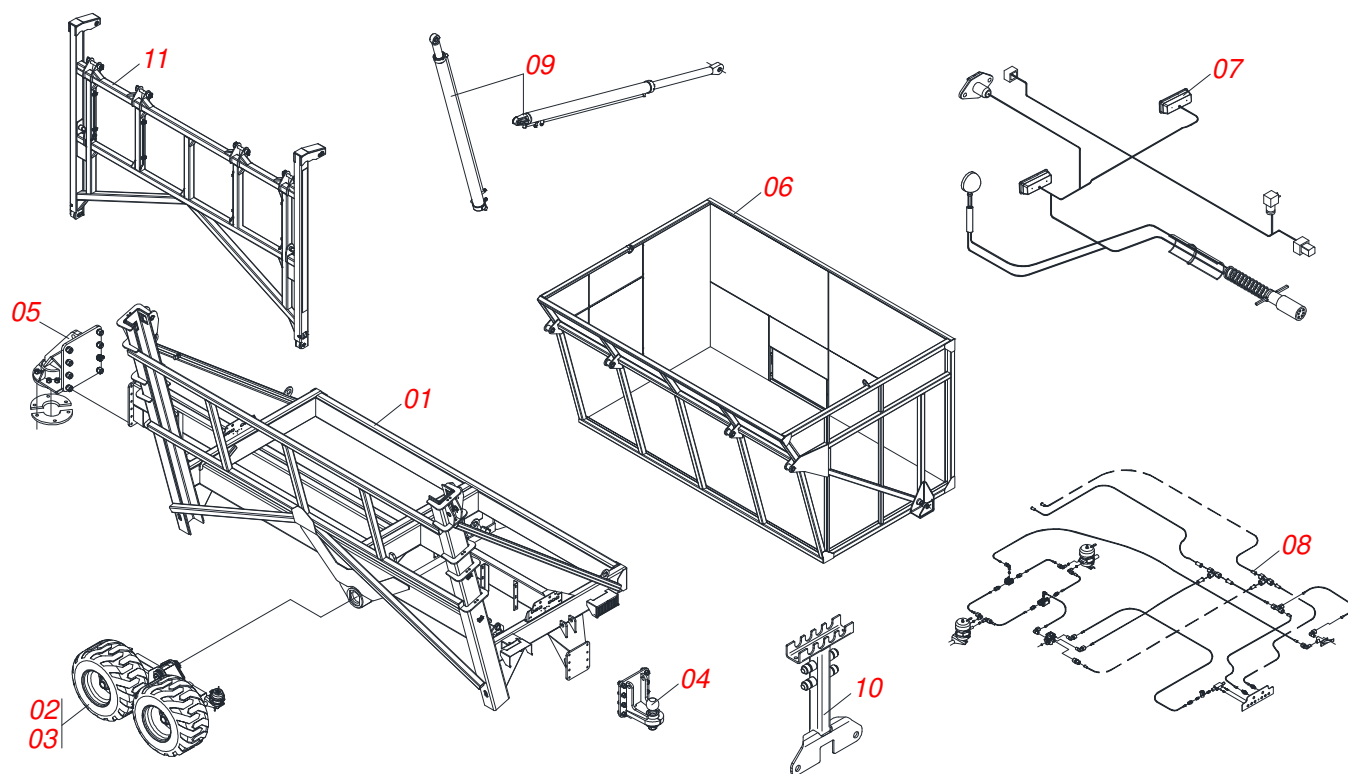
Item	Code	Description	See page	QT
01	0511059750	FRAME 1,90	10	01
01.	0511050525	OFFSET CHASSIS 1.90	11	01
02	0561012738	PROTECTION VALVE		01
03	0561017662	PROTECTION PANEL REAR		01
04	0503010256	3/8" X 3/4" BOLT		04
05	0503010025	3/8" SPRING WASHER		08
06	0503010026	3/8" NUT		06
07	0501110526	LOWER PULLEY		04
08	0511067985	PIN UPPER PULLEY		04
09	0503012776	1/8" NF NIPPLE		04
10	0551014871	FLAT WASHER		08
11	0503010019	1/2" SPRING WASHER		06
12	0503010834	1/2 X 1 BOLT		06
13	0561014113	PROTECTION BOX HEADLIGHT		02
14	0503010257	1/8" X 1" COTTERPIN		02
15	0503032811	FLASHLIGHT		02
16	0511047791	CILINDER ROCKER	16	02
17	0511045963	HYDRAULIC CYLINDER	17	02
18	0501059960	TOWER HOSE	18	01
19	0502012623	UPPER BODY HOSE CLAMP 3/4		02
20	0503010849	3/8" X 1-1/2" BOLT		02
21	0521061206	FRAME STRUT		01
22	0521060566	PIN LOCK JACK		02
23	0503030085	LOCK PIN		02
24	0503014120	CHAIN		01
25	0503014321	CABLE STEEL SHACKLE		02
26	0521061379	HOSE HOLDER		01
27	0503010023	3/4" SPRING WASHER		01
28	0503010014	3/4" NUT		01
29	0503060100	OPERATOR'S MANUAL STORAGE TUBE		01
30	0503010371	5/16" X 1" BOLT		01

Item	Code	Description	See page	QT
31	0503010179	5/16" ZN SPRING WASHER		01
32	0503010337	5/16" NUT		01
33	0511047991	LIFT ASSY	34	01
34	0521046956	FULL RIGHT ROCKER	20	01
34.	0521046973	RIGHT AND LEFT BELL CRANK	35	01
35	0511067982	PIVOT SHAFT BOX CYLINDER		02
36	0503010002	1800 GREASE FITTING		02
37	0511067601	COVER DOOR		01
38	0521010553	0.5" X 3" COUPLING SHAFT		02
39	0503010257	1/8" X 1" COTTERPIN		02
40	0503030168	HAIR PIN		01
41	0503011423	RING		01
42	0511048893	SKEP ASSY	36	01
43	0511068514	BEARING		02
44	0503010232	5/8" X 1.3/4" BOLT		04
45	0501012140	FLAT WASHER		04
46	0503010027	5/8" SPRING WASHER		04
47	0503010013	5/8" NUT		04
48	0521046955	FULL LEFT ROCKER	27	01
48.	0521046973	RIGHT AND LEFT BELL CRANK	35	01
49	0511048316	HITCH BALL FRONT	30	01
50	0511049091	HITCH FRONT	37	01
51	0511048317	HITCH BALL REAR	31	01
52	0511048421	HITCH REAR RACKET	38	01
53	0511048340	DRAWBAR	33	01

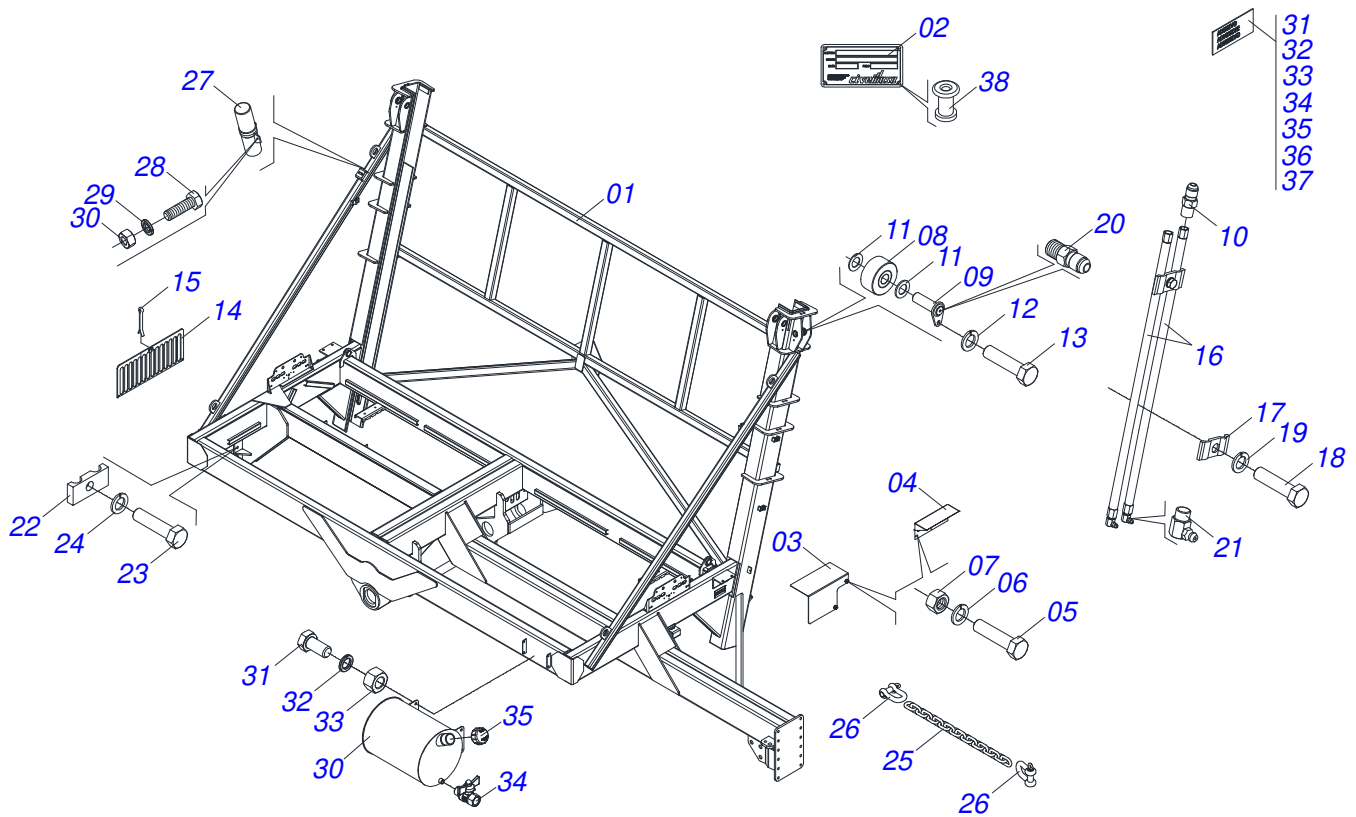


Item	Code	Description	See page	QT
01	0521062005	FRAME 2,45/2,75	01	01
02	0503034004	ALUMINUM IDENTIFICATION LABEL	01	01
03	0561012738	PROTECTION VALVE	01	01
04	0561017662	PROTECTION PANEL REAR	01	01
05	0503010256	3/8" X 3/4" BOLT	04	04
06	0503010025	3/8" SPRING WASHER	04	04
07	0503010026	3/8" NUT	04	04
08	0501110526	LOWER PULLEY	04	04
09	0511067985	PIN UPPER PULLEY	04	04
10	0503012776	1/8" NF NIPPLE	04	04
11	0551014871	FLAT WASHER	08	08
12	0503010019	1/2" SPRING WASHER	04	04
13	0503010834	1/2 X 1 BOLT	04	04
14	0561014113	PROTECTION BOX HEADLIGHT	02	02
15	0503010257	1/8" X 1" COTTERPIN	01	01
16	0511068779	GREASE TUBE GUIDE	04	04
17	0531011180	UPPER BODY CLIP	04	04
18	0503010237	3/8" X 1" BOLT	04	04
19	0503010025	3/8" SPRING WASHER	04	04
20	0503012776	1/8" NF NIPPLE	04	04
21	0503010004	1890 GREASE FITTING	04	04
22	0502012623	UPPER BODY HOSE CLAMP 3/4	02	02
23	0503010849	3/8" X 1-1/2" BOLT	02	02
24	0503010025	3/8" SPRING WASHER	02	02
25	0521061206	FRAME STRUT	01	01
26	0521060566	PIN LOCK JACK	02	02
27	0503030085	LOCK PIN	02	02
28	0503014120	CHAIN	01	01
29	0503014321	CABLE STEEL SHACKLE	02	02
30	0521062076	WATER TANK 15L INOX	01	01
31	0503010237	3/8" X 1" BOLT	04	04

Item	Code	Description	See page	QT
32	0503010025	3/8" SPRING WASHER		04
33	0503010026	3/8" NUT		04
34	0503013550	WATER TAP		01
35	0503013551	COVER TIGRE		01
36	0503060100	OPERATOR'S MANUAL STORAGE TUBE		01
37	0503010371	5/16" X 1" BOLT		01
38	0503010179	5/16" ZN SPRING WASHER		01
39	0503010337	5/16" NUT		01
40	0561018037	LIGHTHOUSE PROTECTION		01
41	0503033444	TAC EMBLEM		02
42	0503033443	ADHESIVE		02
43	0503033445	EMBLEM TAC 10500 200 X 800		01
44	0503033183	CIVEMASA 200 X 800 BADGE		01
45	0503033446	EMBLEM TAC 10500 300 X 1200		01
46	0503033447	LOGO CIVEMASA 300 X 1200 EMBLEM		01
47	0503061866	SECURITY BADGES SET		01
48	0503010001	3.2 X 5.5 RIVET		04
49	0511032054	BAG WITH MANUAL TAC		01

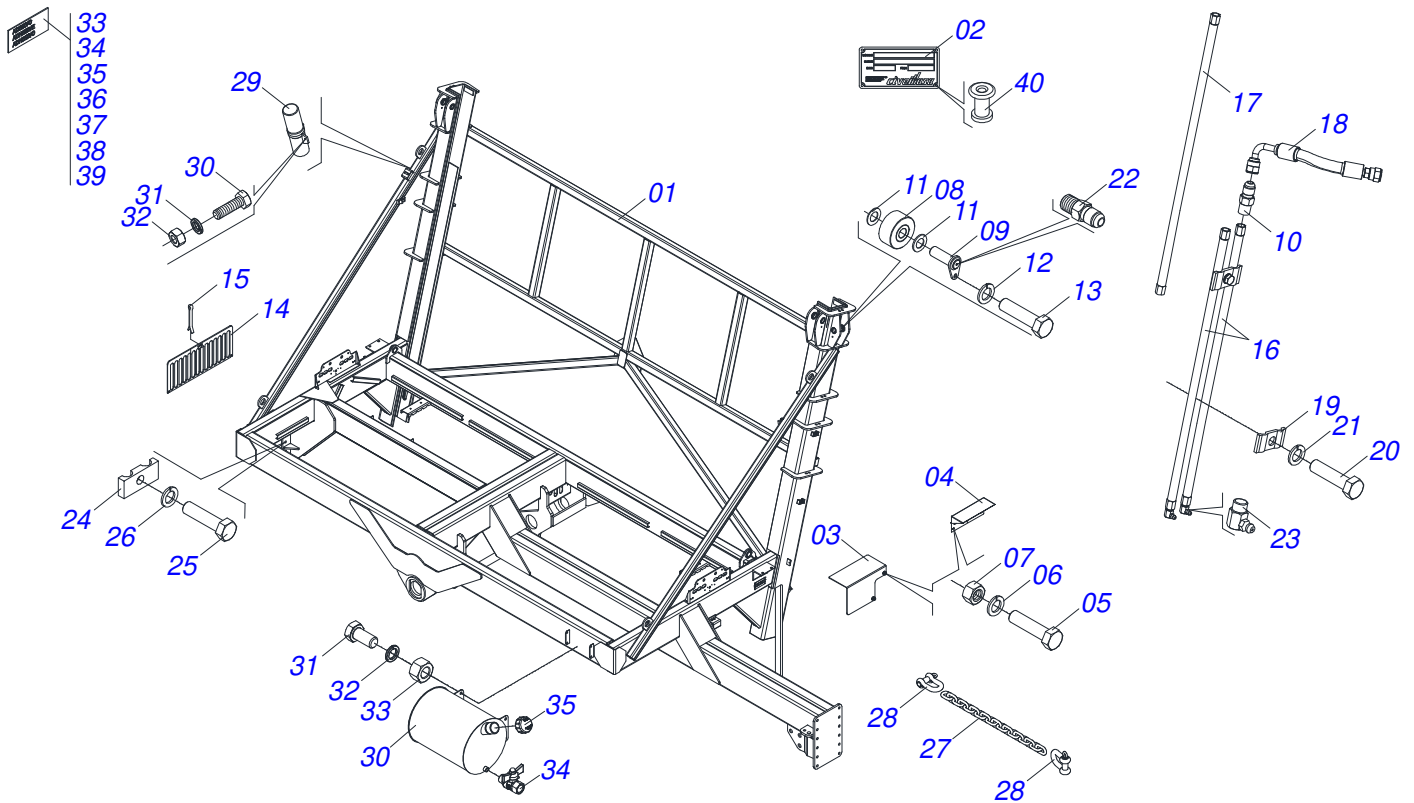


Item	Code	Description	See page	QT
01	0511050541	FRAME BITOLA 2.45/2.75	4	01
02	0511049104	RIGHT BELL CRANK	21	01
03	0511049105	LEFT BELL CRANK	25	01
04	0511048550	HITCH FRONT	28	01
05	0511048554	ASSY 5" BALL TRANSPORT HITCH	29	01
06	0511048553	SKEP ASSY	23	01
07	0501059957	SISTEM ELECTRICAL	12	01
08	0501059628	PNEUMATIC SYSTEM	13	01
09	0501059958	HYDRAULIC SYSTEM	14	01
10	0501059960	TOWER HOSE	18	01
11	0511047914	LIFT ASSY	19	01



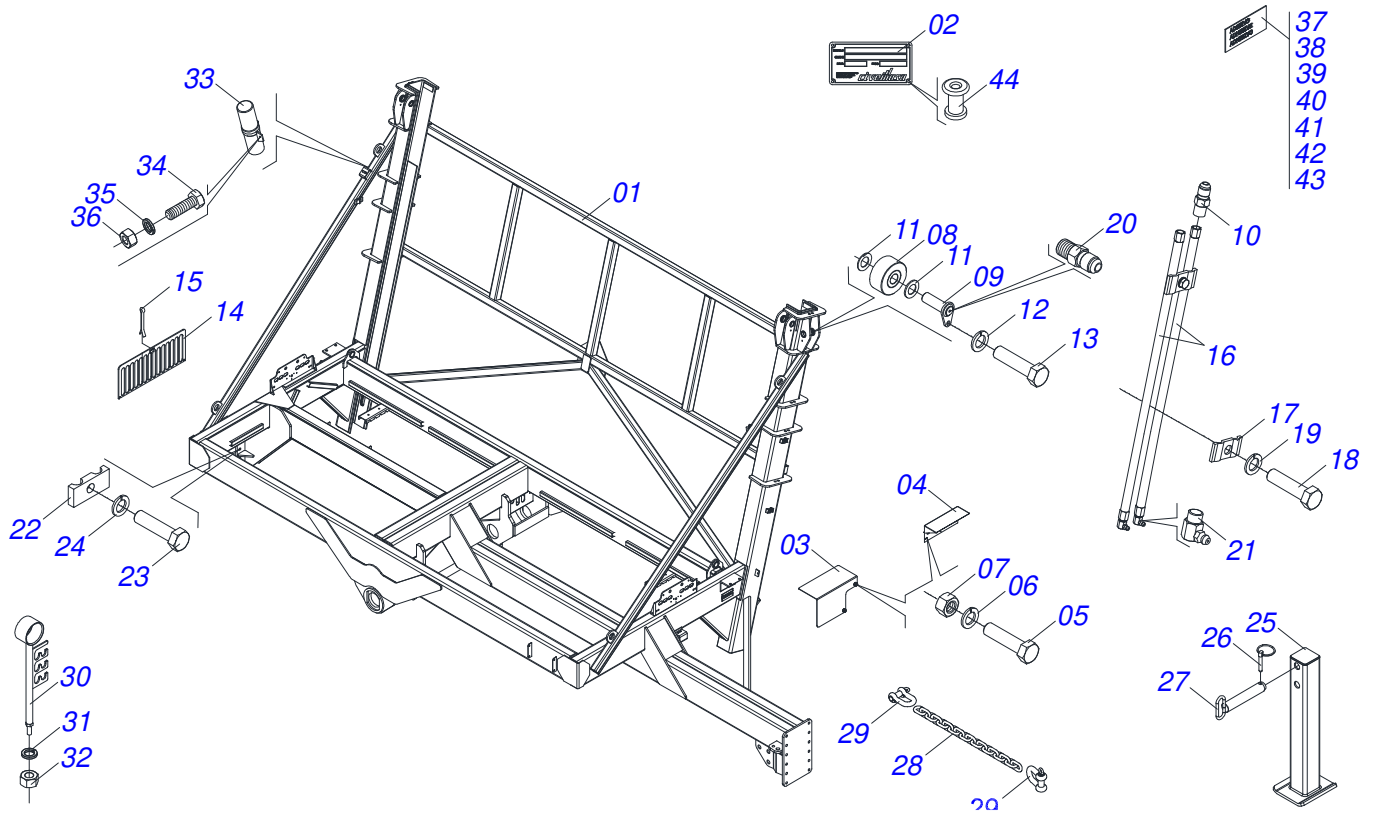
Item	Code	Description	See page	QT
01	0521050526	CHASSIS 3.00 OFFSET HEAD	01	01
02	0503034004	ALUMINUM IDENTIFICATION LABEL	01	01
03	0551016025	PROTECTION PANEL HYDRAULIC	01	01
04	0561017662	PROTECTION PANEL REAR	01	01
05	0503010256	3/8" X 3/4" BOLT	05	05
06	0503010025	3/8" SPRING WASHER	05	05
07	0503010026	3/8" NUT	05	05
08	0501110526	LOWER PULLEY	04	04
09	0511067985	PIN UPPER PULLEY	04	04
10	0503012776	1/8" NF NIPPLE	04	04
11	0551014871	FLAT WASHER	08	08
12	0503010019	1/2" SPRING WASHER	04	04
13	0503010834	1/2 X 1 BOLT	04	04
14	0561014113	PROTECTION BOX HEADLIGHT	02	02
15	0503010257	1/8" X 1" COTTERPIN	01	01
16	0511068779	GREASE TUBE GUIDE	04	04
17	0531011180	UPPER BODY CLIP	04	04
18	0503010237	3/8" X 1" BOLT	04	04
19	0503010025	3/8" SPRING WASHER	04	04
20	0503012776	1/8" NF NIPPLE	04	04
21	0503010004	1890 GREASE FITTING	04	04
22	0502012623	UPPER BODY HOSE CLAMP 3/4	02	02
23	0503010849	3/8" X 1-1/2" BOLT	02	02
24	0503010025	3/8" SPRING WASHER	02	02
25	0503014120	CHAIN	01	01
26	0503014321	CABLE STEEL SHACKLE	02	02
27	0503060100	OPERATOR'S MANUAL STORAGE TUBE	01	01
28	0503010371	5/16" X 1" BOLT	01	01
29	0503010179	5/16" ZN SPRING WASHER	01	01
30	0503010337	5/16" NUT	01	01
31	0503033444	TAC EMBLEM	02	02

Item	Code	Description	See page	QT
32	0503033443	ADHESIVE		02
33	0503033445	EMBLEM TAC 10500 200 X 800		01
34	0503033183	CIVEMASA 200 X 800 BADGE		01
35	0503033446	EMBLEM TAC 10500 300 X 1200		01
36	0503033447	LOGO CIVEMASA 300 X 1200 EMBLEM		01
37	0503061866	SECURITY BADGES SET		01
38	0503010001	3.2 X 5.5 RIVET		04
39	0511032054	BAG WITH MANUAL TAC		01



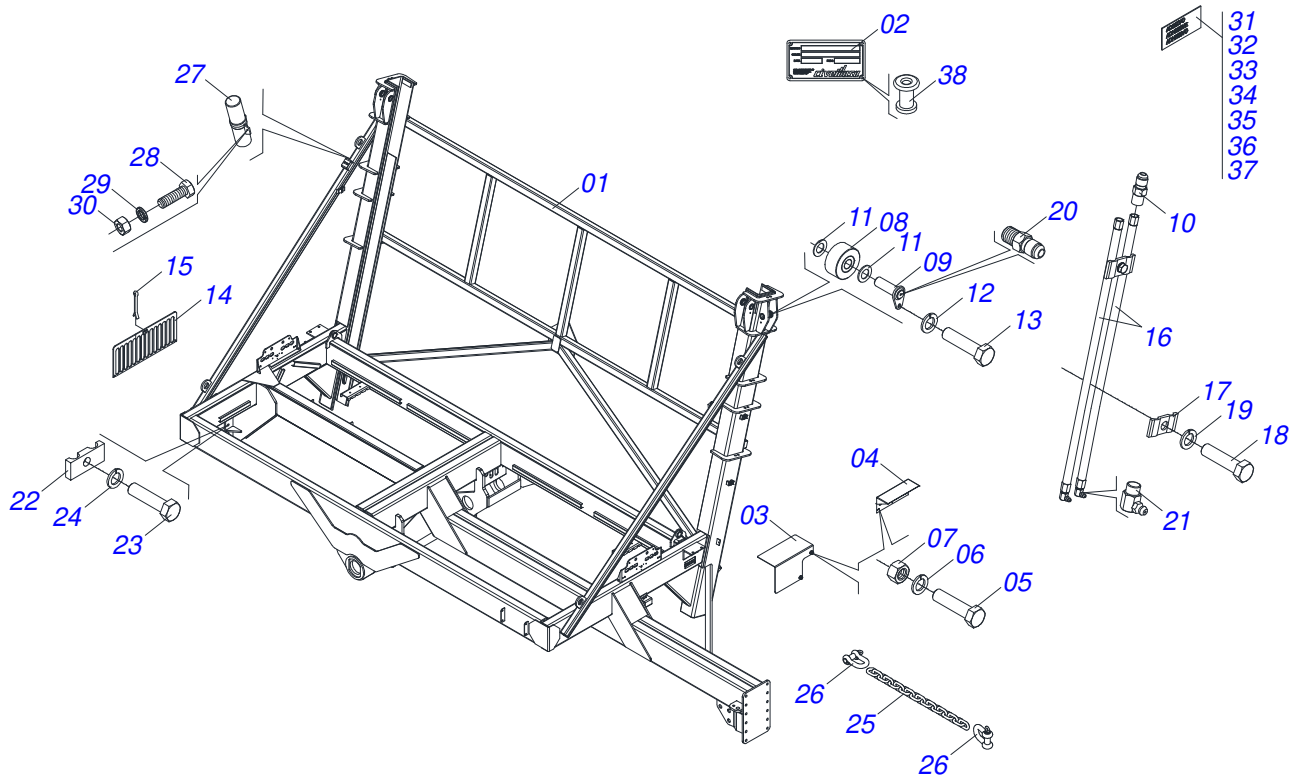
Item	Code	Description	See page	QT
01	0521062618	FRAME 2,50/2,70	01	01
02	0503034004	ALUMINUM IDENTIFICATION LABEL	01	01
03	0561012738	PROTECTION VALVE	01	01
04	0561017662	PROTECTION PANEL REAR	01	01
05	0503010256	3/8" X 3/4" BOLT	04	04
06	0503010025	3/8" SPRING WASHER	04	04
07	0503010026	3/8" NUT	04	04
08	0501110526	LOWER PULLEY	04	04
09	0511067985	PIN UPPER PULLEY	04	04
10	0503012776	1/8" NF NIPPLE	04	04
11	0551014871	FLAT WASHER	08	08
12	0503010019	1/2" SPRING WASHER	04	04
13	0503010834	1/2 X 1 BOLT	04	04
14	0561014113	PROTECTION BOX HEADLIGHT	02	02
15	0503010257	1/8" X 1" COTTERPIN	01	01
16	0511069600	GREASE TUBE	01	01
17	0511068779	GREASE TUBE GUIDE	04	04
18	0501081157	HOSE 1/4 X 600 TR-TC	01	01
19	0531011180	UPPER BODY CLIP	05	05
20	0503010237	3/8" X 1" BOLT	05	05
21	0503010025	3/8" SPRING WASHER	05	05
22	0503012776	1/8" NF NIPPLE	06	06
23	0503010004	1890 GREASE FITTING	05	05
24	0502012623	UPPER BODY HOSE CLAMP 3/4	02	02
25	0503010849	3/8" X 1-1/2" BOLT	02	02
26	0503010025	3/8" SPRING WASHER	02	02
27	0503014120	CHAIN	01	01
28	0503014321	CABLE STEEL SHACKLE	02	02
29	0503060100	OPERATOR'S MANUAL STORAGE TUBE	01	01
30	0503010371	5/16" X 1" BOLT	01	01
31	0503010179	5/16" ZN SPRING WASHER	01	01

Item	Code	Description	See page	QT
32	0503010337	5/16" NUT		01
33	0503033444	TAC EMBLEM		02
34	0503033443	ADHESIVE		02
35	0503033445	EMBLEM TAC 10500 200 X 800		01
36	0503033183	CIVEMASA 200 X 800 BADGE		01
37	0503033446	EMBLEM TAC 10500 300 X 1200		01
38	0503033447	LOGO CIVEMASA 300 X 1200 EMBLEM		01
39	0503061866	SECURITY BADGES SET		01
40	0503010001	3.2 X 5.5 RIVET		04
41	0511032054	BAG WITH MANUAL TAC		01



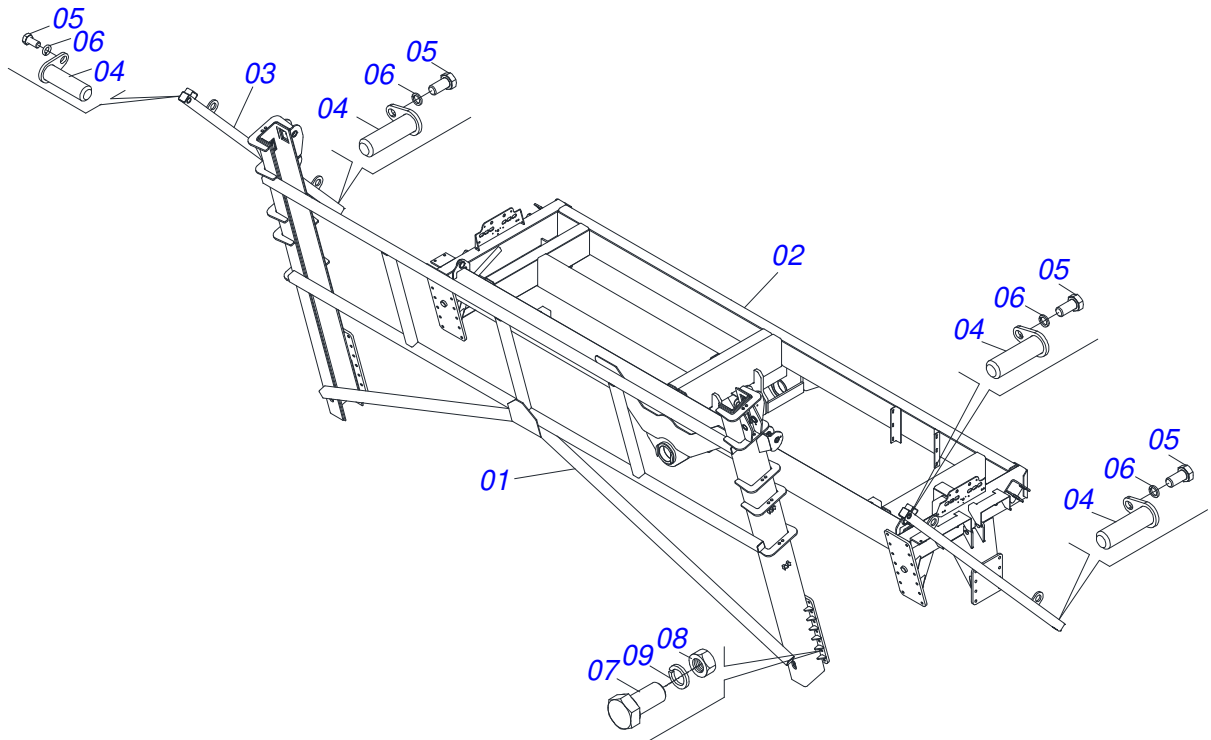
Item	Code	Description	See page	QT
01	0521062519	FRAME 2,80	01	01
02	0503034004	ALUMINUM IDENTIFICATION LABEL	01	01
03	0561012738	PROTECTION VALVE	01	01
04	0561017662	PROTECTION PANEL REAR	01	01
05	0503010256	3/8" X 3/4" BOLT	04	04
06	0503010025	3/8" SPRING WASHER	04	04
07	0503010026	3/8" NUT	04	04
08	0501110526	LOWER PULLEY	04	04
09	0511067985	PIN UPPER PULLEY	04	04
10	0503012776	1/8" NF NIPPLE	04	04
11	0551014871	FLAT WASHER	08	08
12	0503010019	1/2" SPRING WASHER	04	04
13	0503010834	1/2 X 1 BOLT	04	04
14	0561014113	PROTECTION BOX HEADLIGHT	02	02
15	0503010257	1/8" X 1" COTTERPIN	01	01
16	0511068779	GREASE TUBE GUIDE	04	04
17	0531011180	UPPER BODY CLIP	04	04
18	0503010237	3/8" X 1" BOLT	04	04
19	0503010025	3/8" SPRING WASHER	04	04
20	0503012776	1/8" NF NIPPLE	04	04
21	0503010004	1890 GREASE FITTING	04	04
22	0502012623	UPPER BODY HOSE CLAMP 3/4	02	02
23	0503010849	3/8" X 1-1/2" BOLT	02	02
24	0503010025	3/8" SPRING WASHER	02	02
25	0521061206	FRAME STRUT	01	01
26	0521060566	PIN LOCK JACK	02	02
27	0503030085	LOCK PIN	02	02
28	0503014120	CHAIN	01	01
29	0503014321	CABLE STEEL SHACKLE	02	02
30	0521061379	HOSE HOLDER	01	01
31	0503010023	3/4" SPRING WASHER	01	01

Item	Code	Description	See page	QT
32	0503010014	3/4" NUT		01
33	0503060100	OPERATOR'S MANUAL STORAGE TUBE		01
34	0503010371	5/16" X 1" BOLT		01
35	0503010179	5/16" ZN SPRING WASHER		01
36	0503010337	5/16" NUT		01
37	0503033444	TAC EMBLEM		02
38	0503033443	ADHESIVE		02
39	0503033445	EMBLEM TAC 10500 200 X 800		01
40	0503033183	CIVEMASA 200 X 800 BADGE		01
41	0503033446	EMBLEM TAC 10500 300 X 1200		01
42	0503033447	LOGO CIVEMASA 300 X 1200 EMBLEM		01
43	0503061866	SECURITY BADGES SET		01
44	0503010001	3.2 X 5.5 RIVET		04
45	0511032054	BAG WITH MANUAL TAC		01

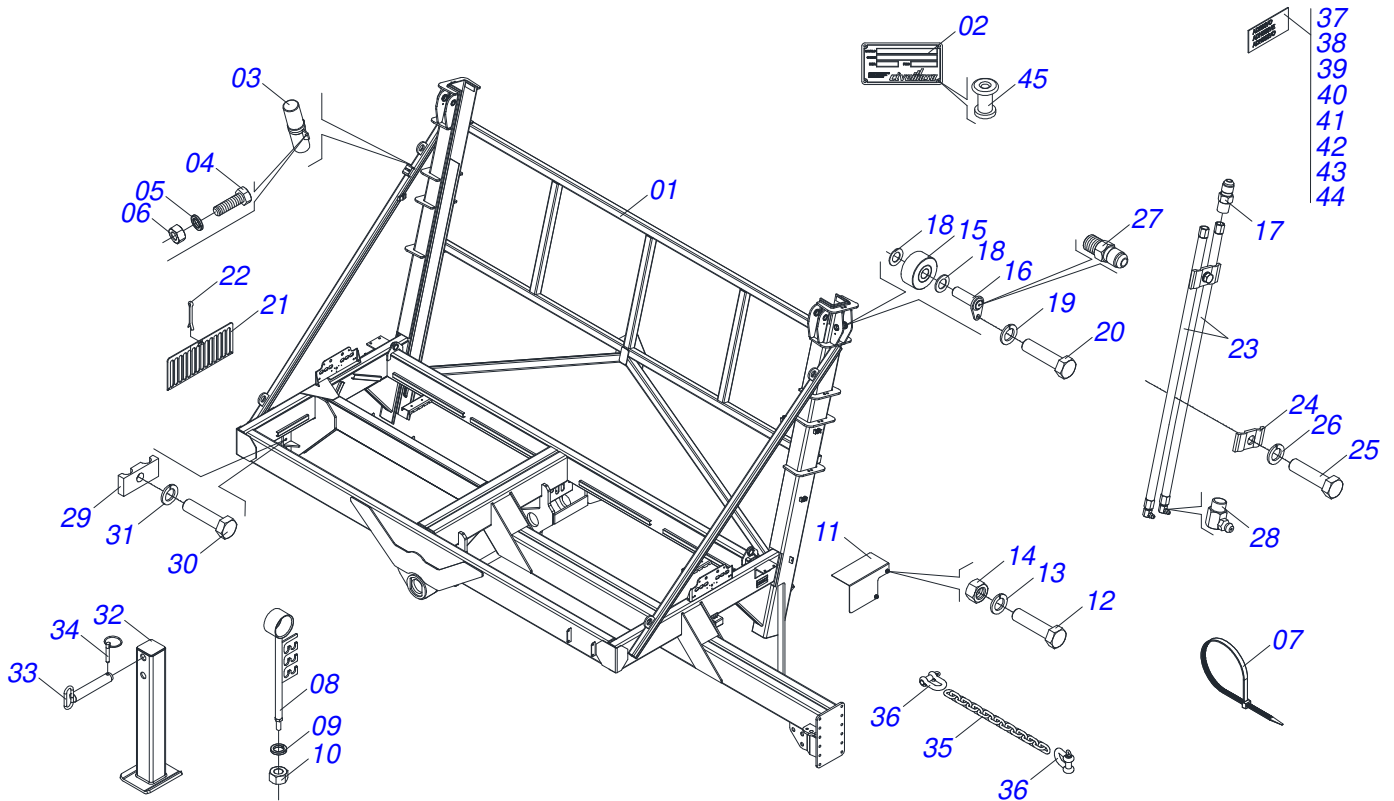


Item	Code	Description	See page	QT
01	0521062883	FRAME HEADER OFFSET	01	01
02	0503034004	ALUMINUM IDENTIFICATION LABEL	01	01
03	0561012738	PROTECTION VALVE	01	01
04	0561017662	PROTECTION PANEL REAR	01	01
05	0503010256	3/8" X 3/4" BOLT	04	04
06	0503010025	3/8" SPRING WASHER	04	04
07	0503010026	3/8" NUT	04	04
08	0501110526	LOWER PULLEY	04	04
09	0511067985	PIN UPPER PULLEY	04	04
10	0503012776	1/8" NF NIPPLE	04	04
11	0551014871	FLAT WASHER	08	08
12	0503010019	1/2" SPRING WASHER	04	04
13	0503010834	1/2 X 1 BOLT	04	04
14	0561014113	PROTECTION BOX HEADLIGHT	02	02
15	0503010257	1/8" X 1" COTTERPIN	01	01
16	0511068779	GREASE TUBE GUIDE	04	04
17	0531011180	UPPER BODY CLIP	04	04
18	0503010237	3/8" X 1" BOLT	04	04
19	0503010025	3/8" SPRING WASHER	04	04
20	0503012776	1/8" NF NIPPLE	04	04
21	0503010004	1890 GREASE FITTING	04	04
22	0502012623	UPPER BODY HOSE CLAMP 3/4	02	02
23	0503010849	3/8" X 1-1/2" BOLT	02	02
24	0503010025	3/8" SPRING WASHER	02	02
25	0503014120	CHAIN	01	01
26	0503014321	CABLE STEEL SHACKLE	02	02
27	0503060100	OPERATOR'S MANUAL STORAGE TUBE	01	01
28	0503010371	5/16" X 1" BOLT	01	01
29	0503010179	5/16" ZN SPRING WASHER	01	01
30	0503010337	5/16" NUT	01	01
31	0503034177	CIVEMASA LOGO EMBLEM 1740 X 290	01	01

Item	Code	Description	See page	QT
32	0503034189	CIVEMASA LOGO EMBLEM 890 X 150		01
33	0503034186	EMBLEM TAC 10500 830 X 140		01
34	0503034187	LOGO CIVEMASA 830 X 140 EMBLEM		01
35	0503034188	EMBLEM TAC 10500 890 X 150		02
36	0503034190	EMBLEM TAC 10500 1740 X 290		01
37	0503061866	SECURITY BADGES SET		01
38	0503010001	3.2 X 5.5 RIVET		04
39	0511032054	BAG WITH MANUAL TAC		01

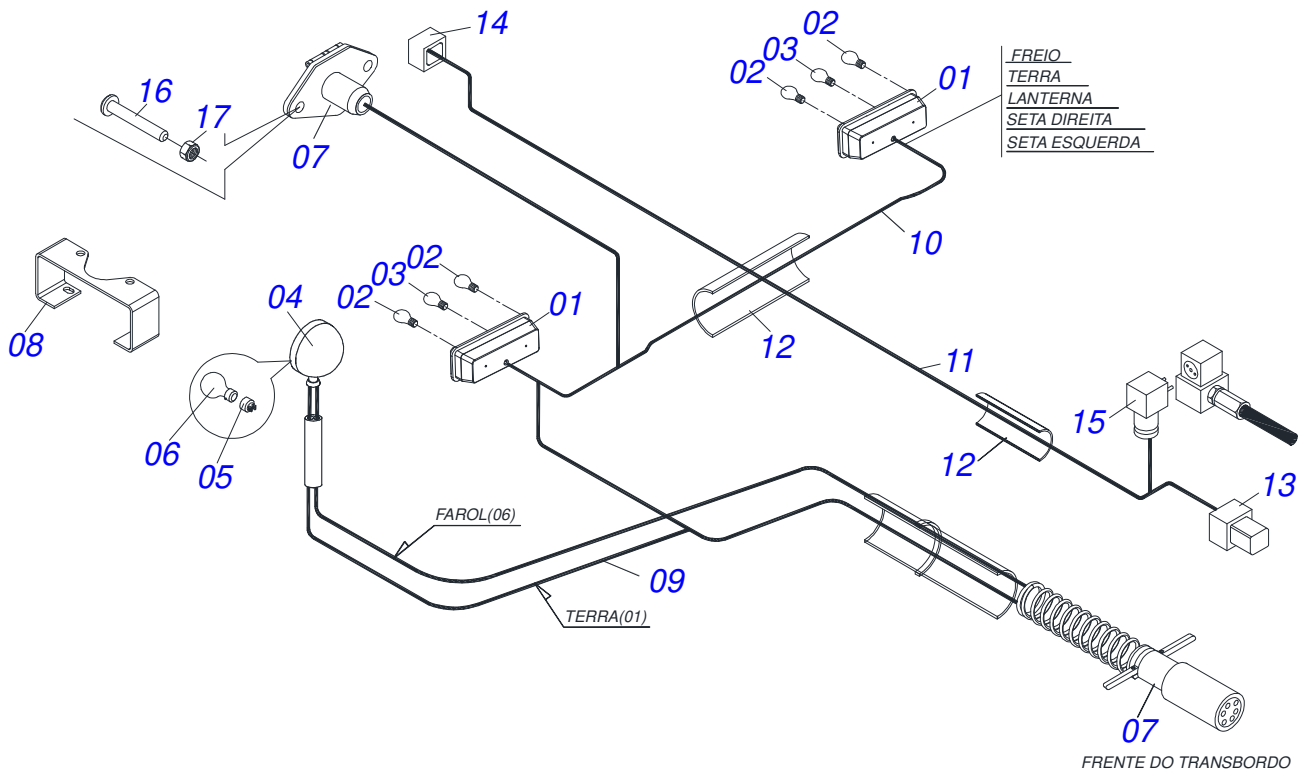


Item	Code	Description	See page	QT
01	0521067272	CENTER FRAME		01
02	0521067265	FRAME BASE		01
03	0521067273	FRENCH HAND		02
04	0521065778	AXLE		04
05	0503010834	1/2 X 1 BOLT		04
06	0503010019	1/2" SPRING WASHER		04
07	0501010125	3/4" X 2-1/2" BOLT		28
08	0503011255	3/4" LOCK NUT		28
09	0503010023	3/4" SPRING WASHER		28

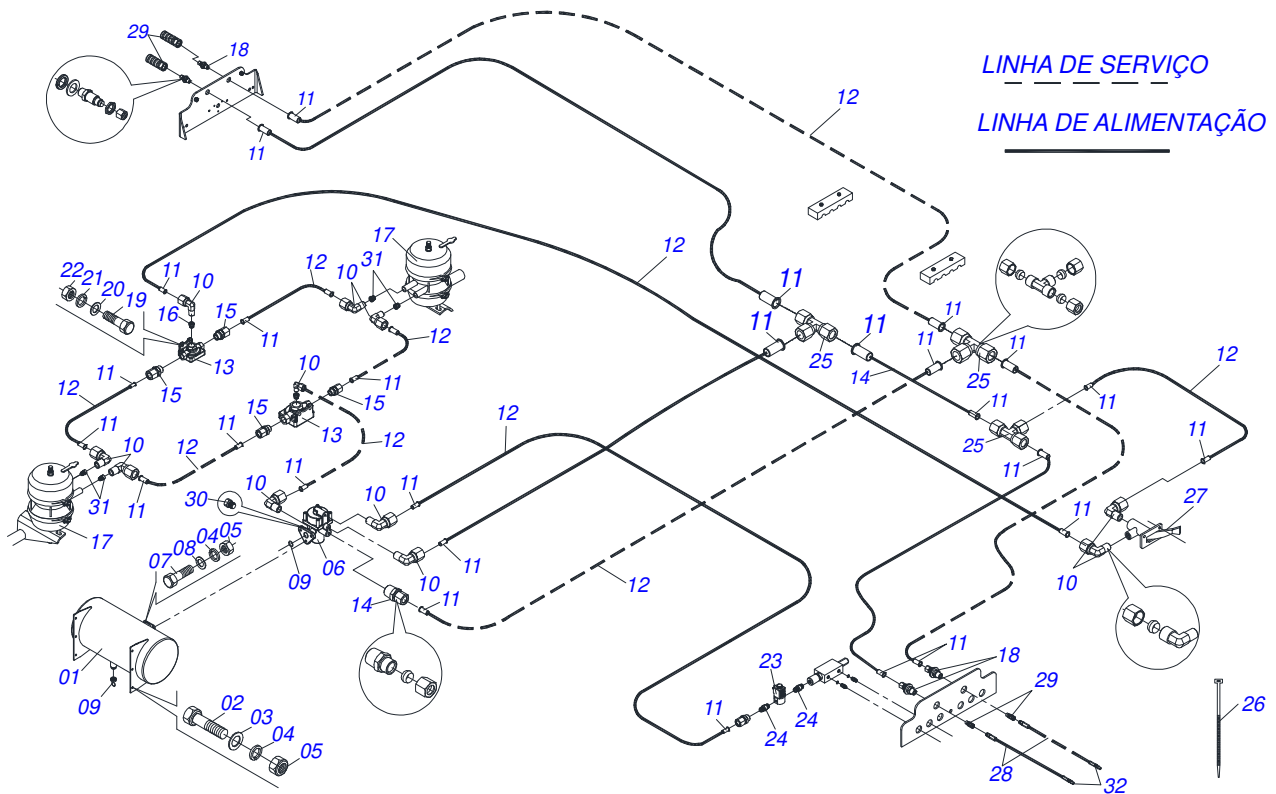


Item	Code	Description	See page	QT
01	0521061993	FRAME		01
02	0503034004	ALUMINUM IDENTIFICATION LABEL		01
03	0503060100	OPERATOR'S MANUAL STORAGE TUBE		01
04	0503010371	5/16" X 1" BOLT		01
05	0503010179	5/16" ZN SPRING WASHER		01
06	0503010337	5/16" NUT		01
07	0503010267	NYLON CLAMP		01
08	0521061379	HOSE HOLDER		01
09	0503010023	3/4" SPRING WASHER		01
10	0503010014	3/4" NUT		01
11	0551016025	PROTECTION PANEL HYDRAULIC		01
12	0503010256	3/8" X 3/4" BOLT		03
13	0503010025	3/8" SPRING WASHER		03
14	0503010026	3/8" NUT		03
15	0501110526	LOWER PULLEY		04
16	0511067985	PIN UPPER PULLEY		04
17	0503012776	1/8" NF NIPPLE		04
18	0551014871	FLAT WASHER		08
19	0503010019	1/2" SPRING WASHER		04
20	0503010834	1/2 X 1 BOLT		04
21	0561014113	PROTECTION BOX HEADLIGHT		02
22	0503010257	1/8" X 1" COTTERPIN		01
23	0511068779	GREASE TUBE GUIDE		04
24	0531011180	UPPER BODY CLIP		04
25	0503010237	3/8" X 1" BOLT		04
26	0503010025	3/8" SPRING WASHER		04
27	0503012776	1/8" NF NIPPLE		04
28	0503010004	1890 GREASE FITTING		04
29	0502012623	UPPER BODY HOSE CLAMP 3/4		02
30	0503010849	3/8" X 1-1/2" BOLT		02
31	0503010025	3/8" SPRING WASHER		02

Item	Code	Description	See page	QT
32	0521060563	FRAME STRUT		01
33	0521060566	PIN LOCK JACK		02
34	0503030085	LOCK PIN		02
35	0503014120	CHAIN		01
36	0503014321	CABLE STEEL SHACKLE		02
37	0503033444	TAC EMBLEM		02
38	0503033443	ADHESIVE		02
39	0503033445	EMBLEM TAC 10500 200 X 800		01
40	0503033183	CIVEMASA 200 X 800 BADGE		01
41	0503033446	EMBLEM TAC 10500 300 X 1200		01
42	0503033447	LOGO CIVEMASA 300 X 1200 EMBLEM		01
43	0503033647	APPROVED BADGE		01
44	0503061866	SECURITY BADGES SET		01
45	0503010001	3.2 X 5.5 RIVET		04
46	0511032054	BAG WITH MANUAL TAC		01

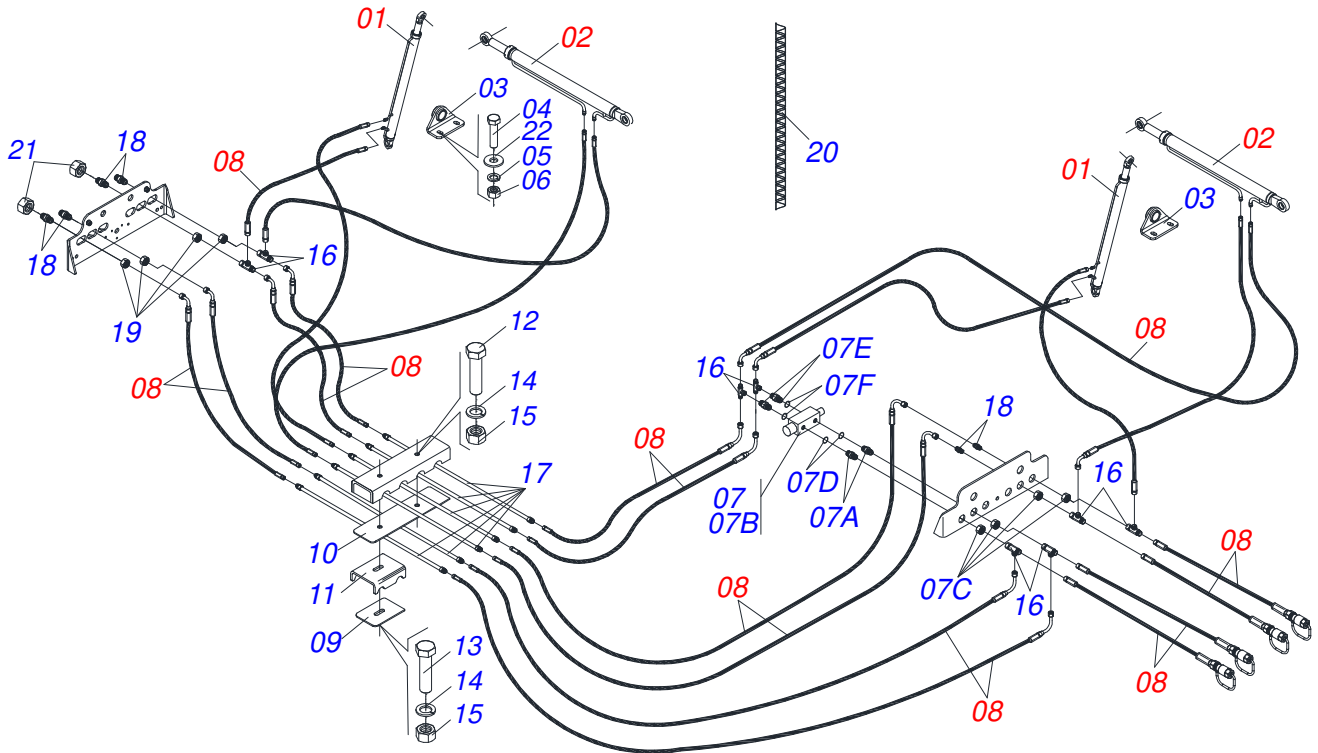


Item	Code	Description	See page	QT
001	0503032811	FLASHLIGHT	02	
002	0503032812	1141 12V LAMP	04	
003	0503032813	67 12V 5W LAMP	02	
004	0503032434	LIGHTHOUSE FROTLUZ	01	
005	0503032476	SOCKET LAMP	01	
006	0503032475	LAMP	01	
007	0503014080	ELECTRIC CONNECTION	01	
008	0561012907	ELECTRIC CONNECTION SUPPORT	01	
009	0503013224	CABLE PP	12	
010	0503015497	CABLE PP	03	
011	0503014046	CABLE PP	11	
012	3505151602	TUBE	00	
013	0503013789	CONNECTOR 4V/1,5MM	01	
014	0503013790	FEMALE CONNECTOR 4V/1,5MM	01	
015	0503013566	PARKER PLUG	01	
016	0503013165	SCREW DRIVER 3/16 X 1.1 / 4	03	
017	0503010667	3/16" NUT	03	

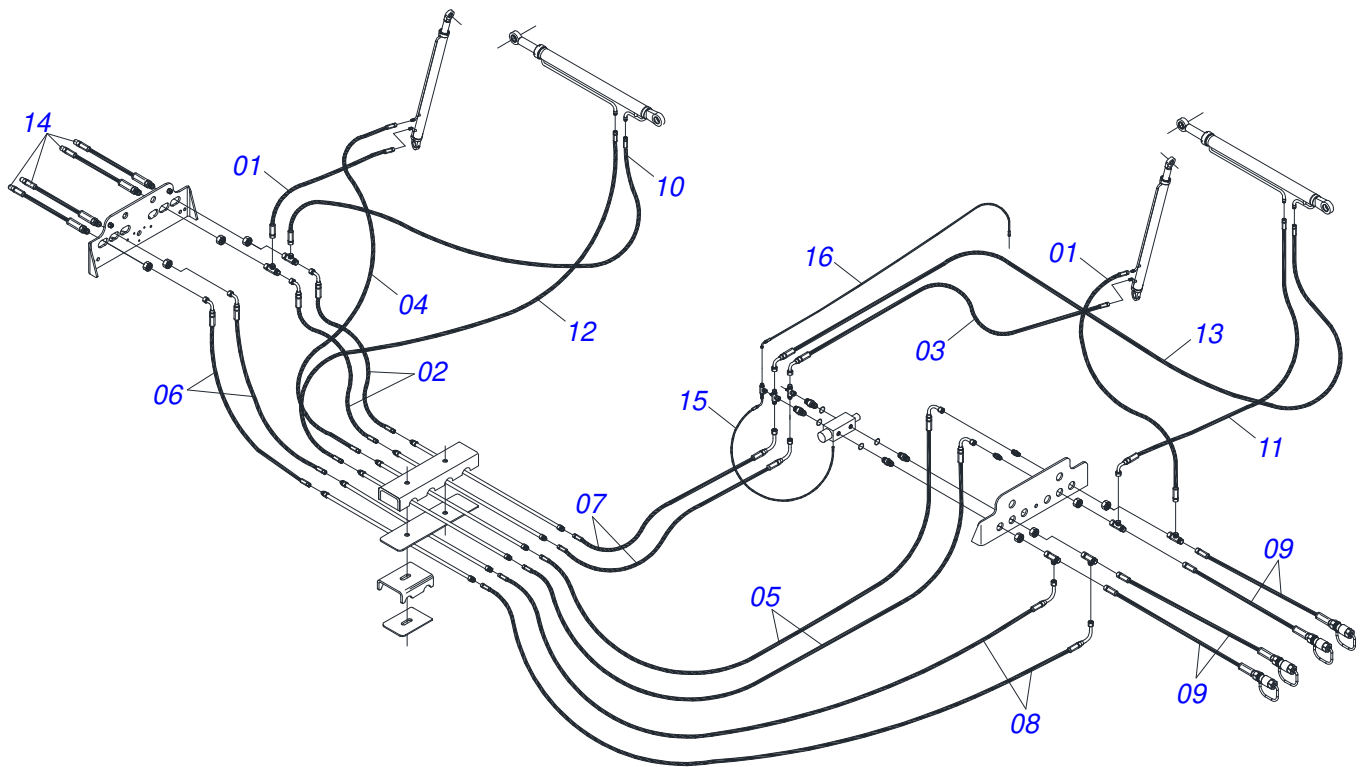


Item	Code	Description	See page	QT
01	0503033132	RESERVOIR AR 36L (CYLINDER)		01
02	0503010237	3/8" X 1" BOLT		06
03	0501010984	FLAT WASHER		06
04	0503010025	3/8" SPRING WASHER		06
05	0503010026	3/8" NUT		06
06	0503032389	VALVE		01
07	0503010751	C3/8" X 1.1/4" HEX BOLT G.5		03
08	0501013518	FLAT WASHER		03
09	0503013421	2-125 N O'RING		01
10	0503032307	CONNECT ELBOW		11
11	0503014002	ADAPTER		11
12	0503032835	1/2 TUBE		20
13	0503013523	VALVE		01
14	0503014213	MALE CONNECTOR		01
15	0503014216	MALE CONNECTOR		04
16	0503013481	REDUCTOR		02
17	0503014056	SPRING BRAKE TUBE		02
18	0503014138	UNION ANTEP TUBE		04
19	0503010371	5/16" X 1" BOLT		02
20	0501010694	8.5 X 18 X 1.5 FLAT WASHER		04
21	0503010179	5/16" ZN SPRING WASHER		04
22	0503010337	5/16" NUT		04
23	0503032387	VALVE PN		02
24	0503014486	NIPLE		01
25	0503032301	CONNECTION		03
26	0503013527	CLAMP ZIPER		30
27	0503014039	VALVE DRIVE 1/4 9201001G37571		01
28	0501081275	1/2 X 3250 TM-TM HOSE		02
29	0503014140	FEMALE QUICK COUPLER		04
30	0503013518	1/4" PLUG		02
31	0503014037	REDUCTION		04

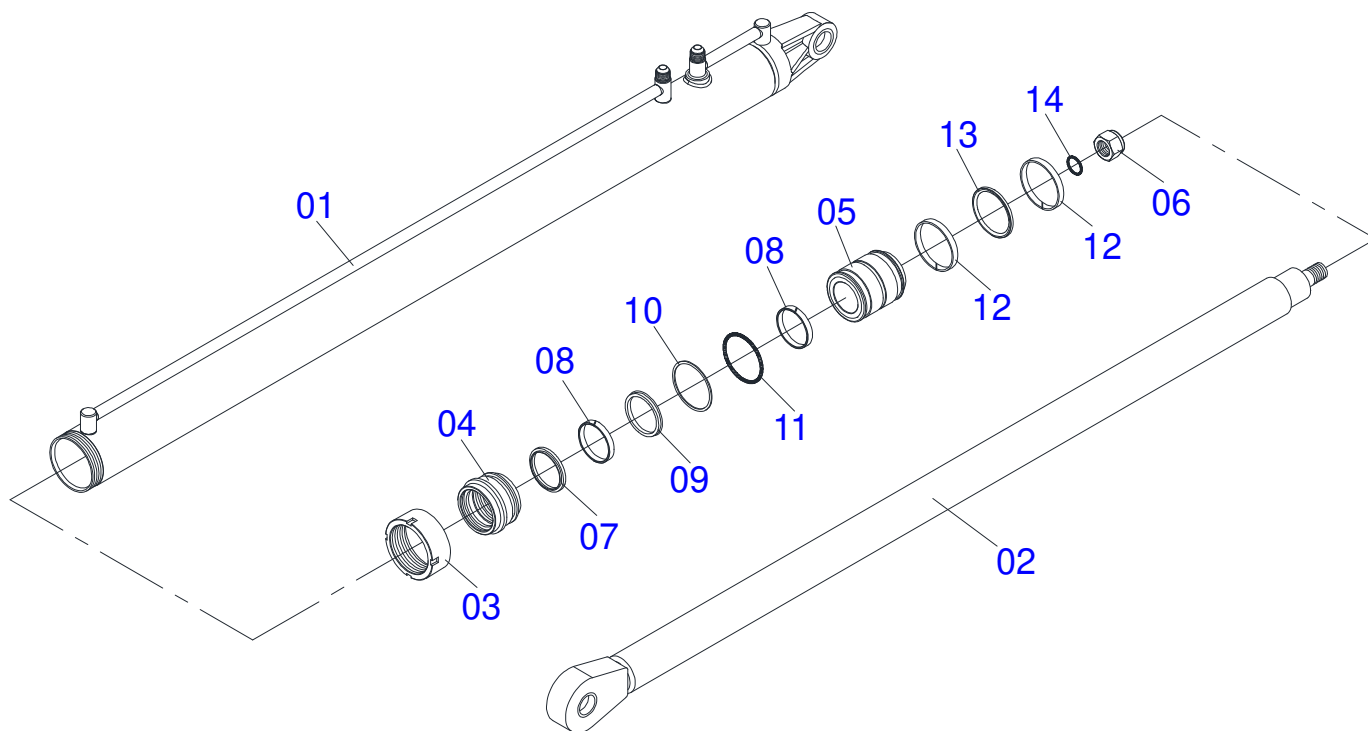
Item	Code	Description	See page	QT
32	0503013515	QUICK CONECTION		02



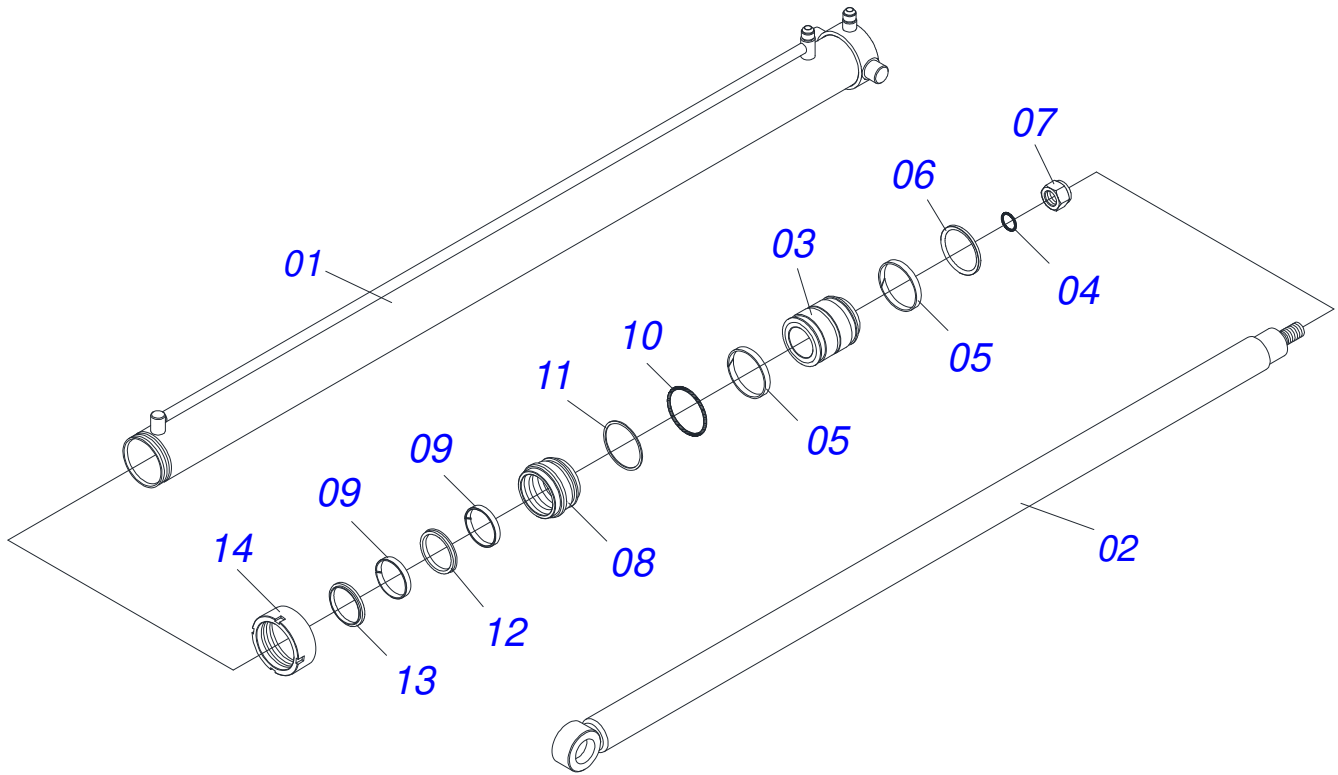
Item	Code	Description	See page	QT
01	0511045963	HYDRAULIC CYLINDER	17	02
02	0511047791	CILINDER ROCKER	16	02
03	0511068514	BEARING		02
04	0503010232	5/8" X 1.3/4" BOLT		04
05	0503010027	5/8" SPRING WASHER		04
06	0503010013	5/8" NUT		04
07	0501059638	HYDRAULIC VALVE EL/PN ASSY		01
07A	0541016753	NIPL		02
07B	0503032386	HYDRAULIC VALVE EL/PN		01
07C	0541016752	1.1/4"X 1.1/16" UN X 11 NUT HEX		02
07D	0503011109	2-119 N 3006-9B O'RING		02
07E	0501010589	R. 1.1/16UN SEXT 1.1/4 X 52 NIPPLE		02
07F	0503011109	2-119 N 3006-9B O'RING		02
08	0501059959	HOSE GAME	15	01
09	0551015937	FIXER PLATE PIPING		02
10	0561013211	FIXER LOWER TUBING		02
11	0561013212	PLATE LOWER FIXER		02
12	0503011123	BOLT		02
13	0503011268	3/8" X 2-1/2" BOLT		02
14	0503010025	3/8" SPRING WASHER		04
15	0503010026	3/8" NUT		04
16	0503013534	ADAPTER T TEE		06
17	0511069769	TUBE TAC 10500		06
18	0541016751	NIPL		06
19	0541016752	1.1/4"X 1.1/16" UN X 11 NUT HEX		06
20	0503014278	MP100 PLASTIC PROTECTION SPRING FOR 3/4 HOSE		02
21	0551010235	COVER		04
22	0501012140	FLAT WASHER		04



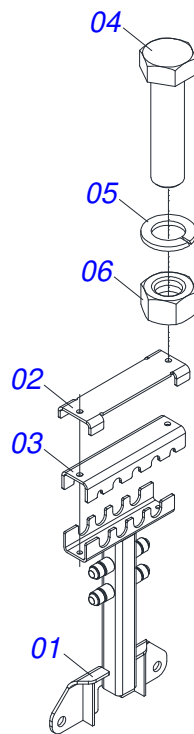
Item	Code	Description	See page	QT
01	0501081478	3/4 X 400 TR-TR 2T HOSE		02
02	0501081479	3/4 X 650 TR-TC 2T HOSE		02
03	0501081480	3/4 X 600 TR-TC 2T HOSE		01
04	0501081481	3/4 X 800 TR-TR 2T HOSE		01
05	0501081482	3/4 X 900 TR-TC 2T HOSE		02
06	0501081483	3/4 X 1000 TR-TC 2T HOSE		02
07	0501081484	3/4 X 1100 TR-TC 2T		02
08	0501081485	3/4 X 1300 TR-TC 2T HOSE		02
09	0501081503	HOSE 3/4 X 3300 TR-TR 2T		04
10	0501081488	3/4 X 4000 TR-TR 2T HOSE		01
11	0501081487	3/4 X 4100 TR-TC 2T HOSE		01
12	0501081489	3/4 X 4000 TR-TR 2T HOSE		01
13	0501081490	3/4 X 4400 TR-TC 2T HOSE		01
14	0501081275	1/2 X 3250 TM-TM HOSE		02
15	0501081289	1/4 X 400 TR-TC HOSE		04
16	0501081157	HOSE 1/4 X 600 TR-TC		04



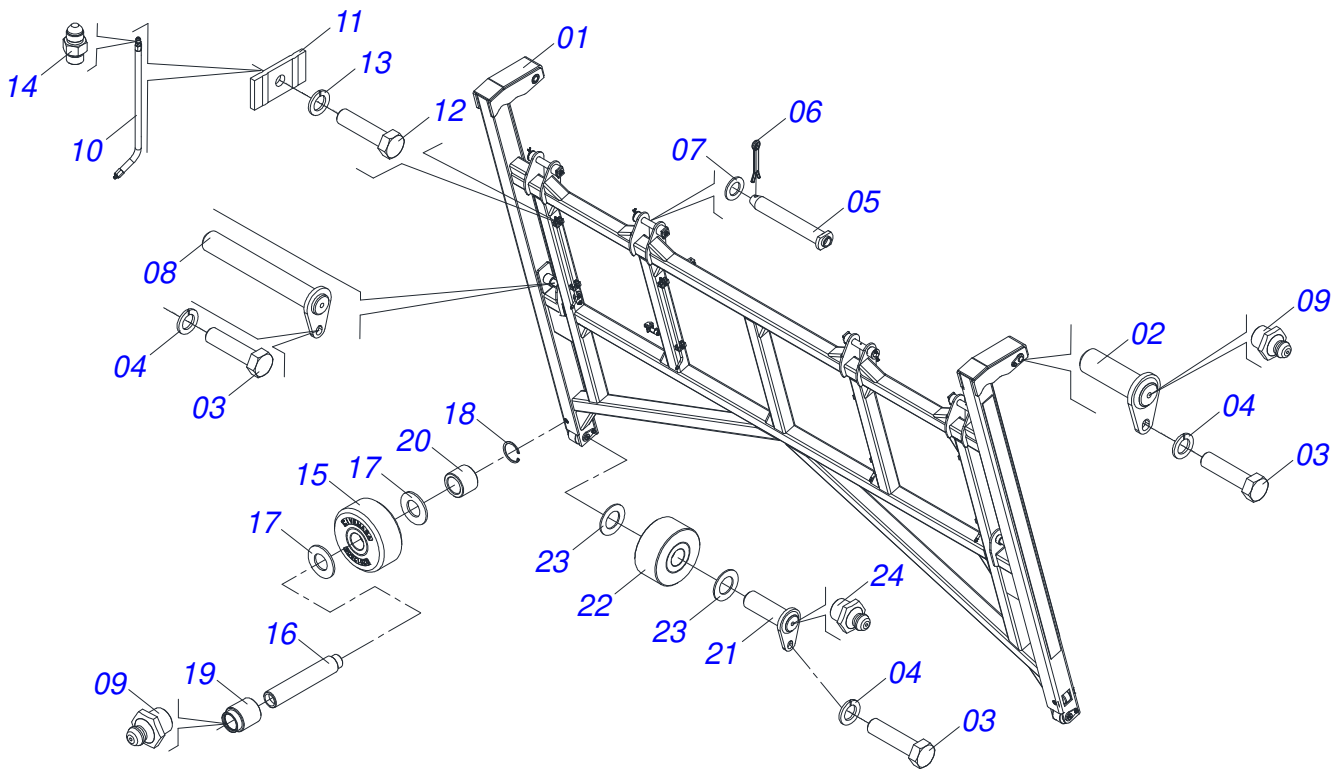
Item	Code	Description	See page	QT
01	0521060538	CYLINDER CASE		01
02	0521060537	ROD CILINDER ROCKER		01
03	0541019606	MOBILE COVER		01
04	0551016445	RING SUPPORT		01
05	0551016446	101.6 X 63.5 PISTON		01
06	0503010817	1.1/4" SELF LOCKING NUT		01
07	0503012642	D-3000 SCRAPER RING		01
08	0503013553	SEAL RING		02
09	0503013552	GASKET		01
10	0503011061	8-342 BACK-UP RING		01
11	0503010338	2-342 N 3006-9B O'RING		01
12	0503010994	W2-4000-500 PK RING G.E		02
13	0503012725	GASKET		01
14	0503010345	2-218 N 3006-9B O'RING		01
15	0501037860	HYDRAULIC CYLINDER REPAIR KIT 76,20 X 101,6		



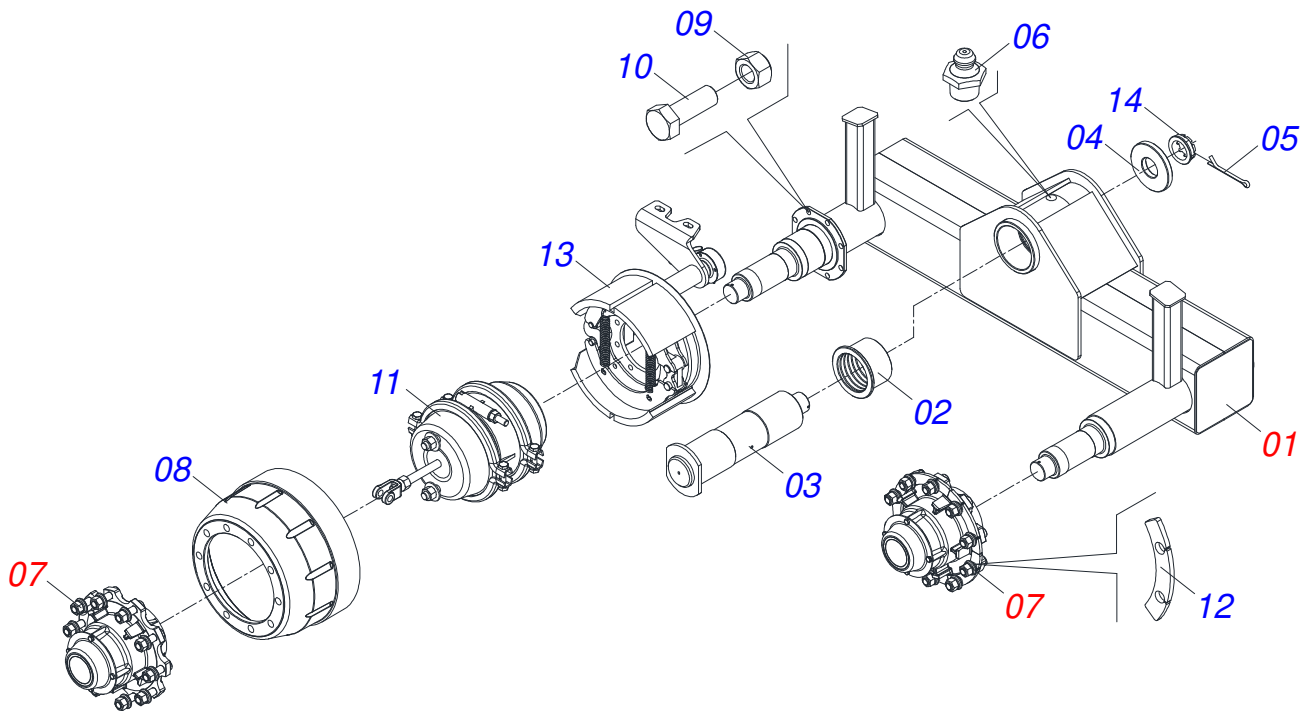
Item	Code	Description	See page	QT
01	0511068728	CYLINDER CASE LIFT		01
02	0511068729	ROD CILINDER ELEVATION		01
03	0551016446	101.6 X 63.5 PISTON		01
04	0503010345	2-218 N 3006-9B O'RING		01
05	0503010994	W2-4000-500 PK RING G.E		02
06	0503012725	GASKET		01
07	0503010817	1.1/4" SELF LOCKING NUT		01
08	0551016445	RING SUPPORT		01
09	0503013553	SEAL RING		02
10	0503010338	2-342 N 3006-9B O'RING		01
11	0503011061	8-342 BACK-UP RING		01
12	0503013552	GASKET		01
13	0503012642	D-3000 SCRAPER RING		01
14	0541019606	MOBILE COVER		01



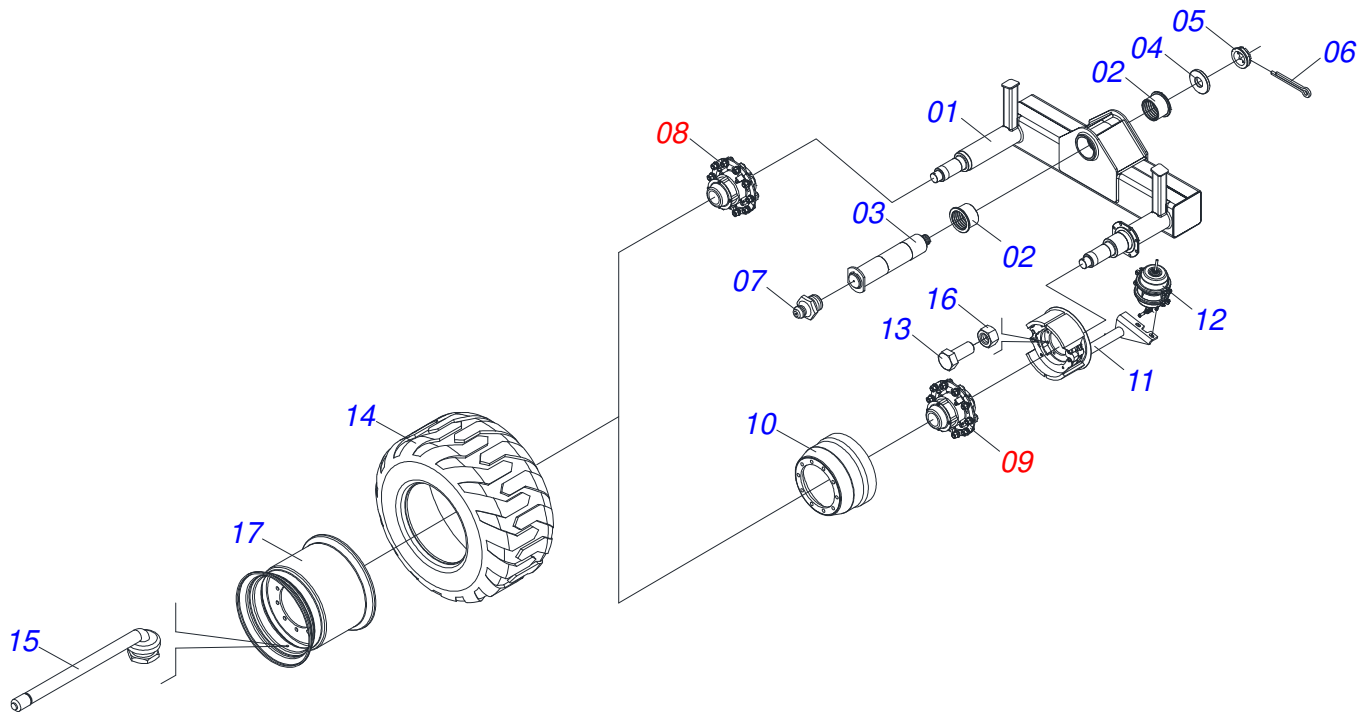
Item	Code	Description	See page	QT
01	0521060748	TOWER HOSE		01
02	0551014239	FIXER LOCK HOSE		01
03	0551014238	FIXER UPPER HOSE		01
04	0501011314	3/8" X 4" BOLT		02
05	0503010025	3/8" SPRING WASHER		02
06	0503010026	3/8" NUT		02



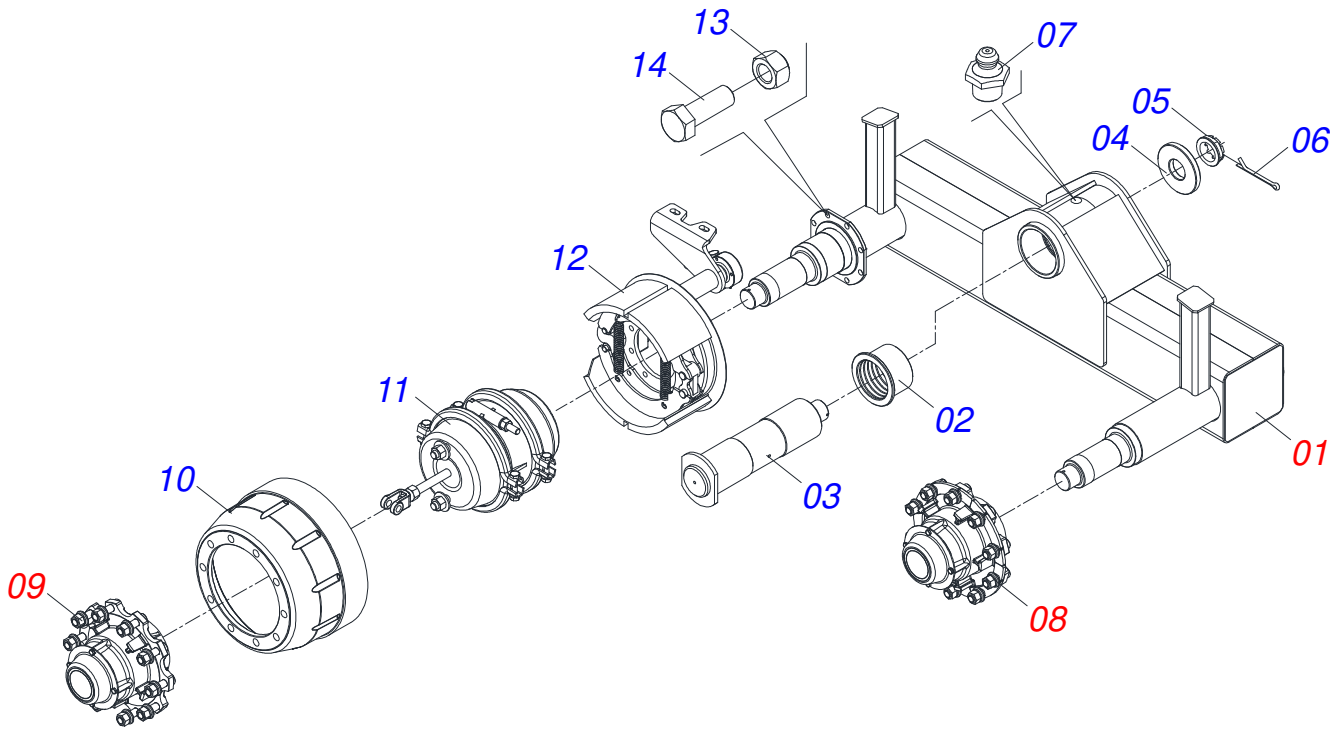
Item	Code	Description	See page	QT
01	0511068752	FRAME LIFT TCA 10500 CHE		01
02	0511068767	PIN FIXER		02
03	0503010834	1/2 X 1 BOLT		06
04	0503010019	1/2" SPRING WASHER		06
05	0511068336	PIVOT SHAFT SKEP		04
06	0503010534	3/8 X 2-1/2 COTTERPIN		04
07	0501012916	FLAT WASHER 38,50 X 66 X 4,75 ZN		04
08	0511067983	PIVOT SHAFT		02
09	0503010002	1800 GREASE FITTING		08
10	0511068768	GREASE TUBE LIFT		04
11	0531011180	UPPER BODY CLIP		08
12	0503010751	C3/8" X 1.1/4" HEX BOLT G.5		08
13	0503010025	3/8" SPRING WASHER		08
14	0503012776	1/8" NF NIPPLE		09
15	0501110540	PULLEY SIDE ELEVATION		02
16	0551014860	PIN LOWER SIDE LIFT		02
17	0551014872	FLAT WASHER		04
18	0503014307	SEAL RING		02
19	0551014874	SLEEVE		02
20	0551014873	SLEEVE		02
21	0511068766	PIN POULIE 38,1 X 110		02
22	0501110526	LOWER PULLEY		02
23	0551015940	FLAT WASHER		04
24	0503010691	1/4" GREASE FITTING		02



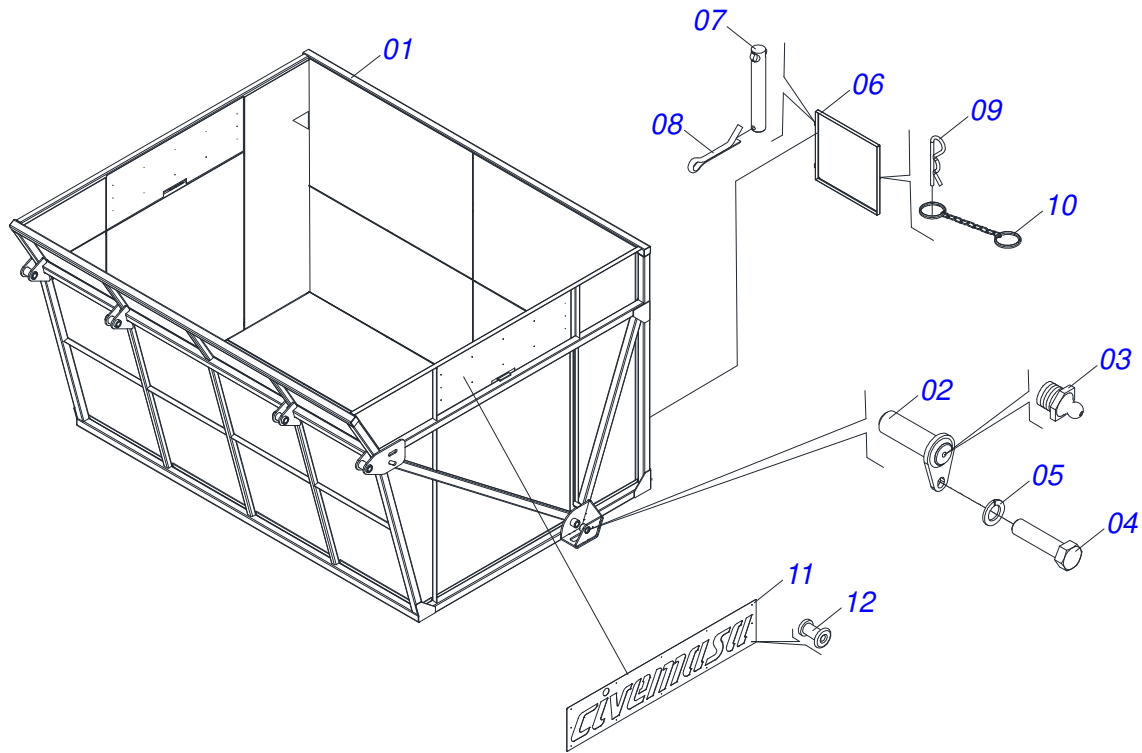
Item	Code	Description	See page	QT
01	0521050366	LEFT AND RIGHT BALANCE SHEET	39	01
02	0531016429	BUSHING		02
03	0521062517	PIVOT SHAFT		01
04	0551012036	FLAT WASHER		01
05	0503012213	1/4" COTTERPIN		01
06	0503010002	1800 GREASE FITTING		01
07	0511045858	WHEEL HUB ASSY WITH BRAKE	40	02
08	0502020688	BRAKE DRUM		01
09	0503012412	5/8 UNC SELF LOCKING NUT		08
10	0501010100	SCREW 5/8 UNC X 2 CS G.5 ZN		08
11	0503014056	SPRING BRAKE TUBE		01
12	0561015521	FLANGE		10
13	0503014052	BRAKE		01
14	0581013528	FLANGED NUT		01



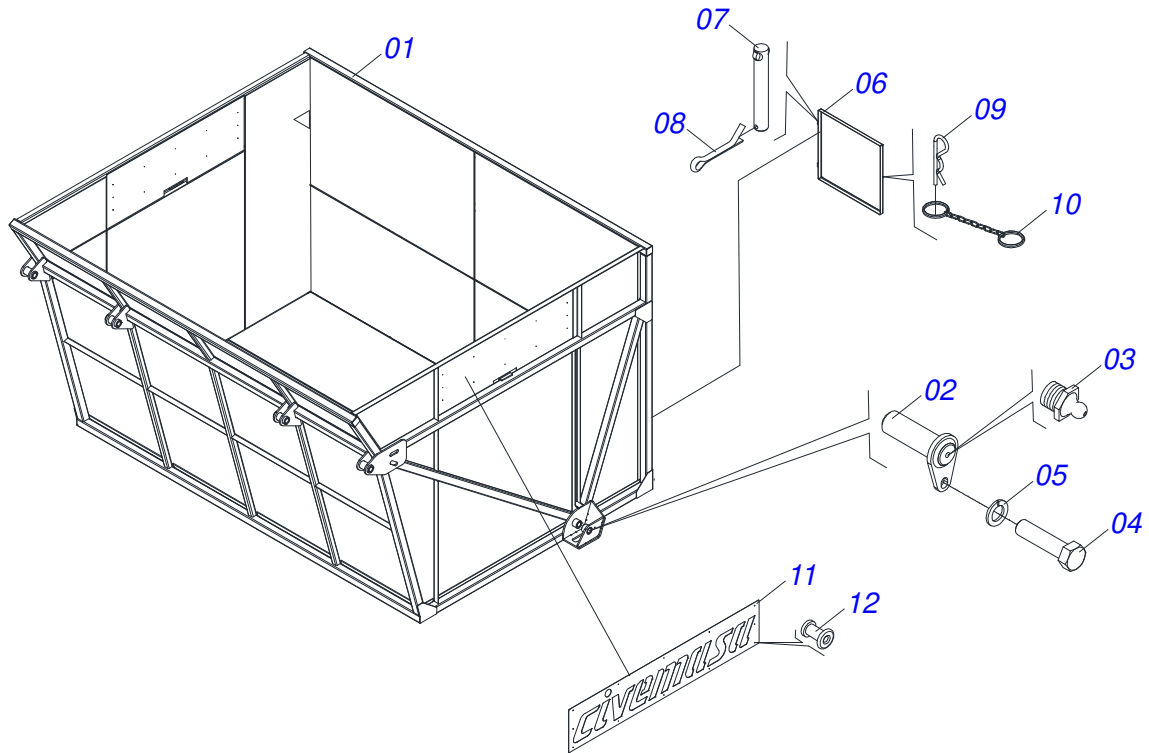
Item	Code	Description	See page	QT
01	0521062003	RIGHT ROCKER ARM		01
02	0531016429	BUSHING		02
03	0511067869	PIVOT SHAFT		01
04	0551012036	FLAT WASHER		01
05	0502040080	FLANGE NUT R.2.1/2 UN		01
06	0503012213	1/4" COTTERPIN		01
07	0503010002	1800 GREASE FITTING		01
08	0511048127	WHEEL HUB	41	01
09	0511045858	WHEEL HUB ASSY WITH BRAKE	40	01
10	0502020688	BRAKE DRUM		01
11	0503014052	BRAKE		01
12	0503014056	SPRING BRAKE TUBE		01
13	0503010232	5/8" X 1.3/4" BOLT		08
14	0503015483	TIRE 600/50-22.5 TL T404 168A8		02
15	0503016045	VALVE		02
16	0503012412	5/8 UNC SELF LOCKING NUT		08
17	0503015989	FULL WHEEL		02



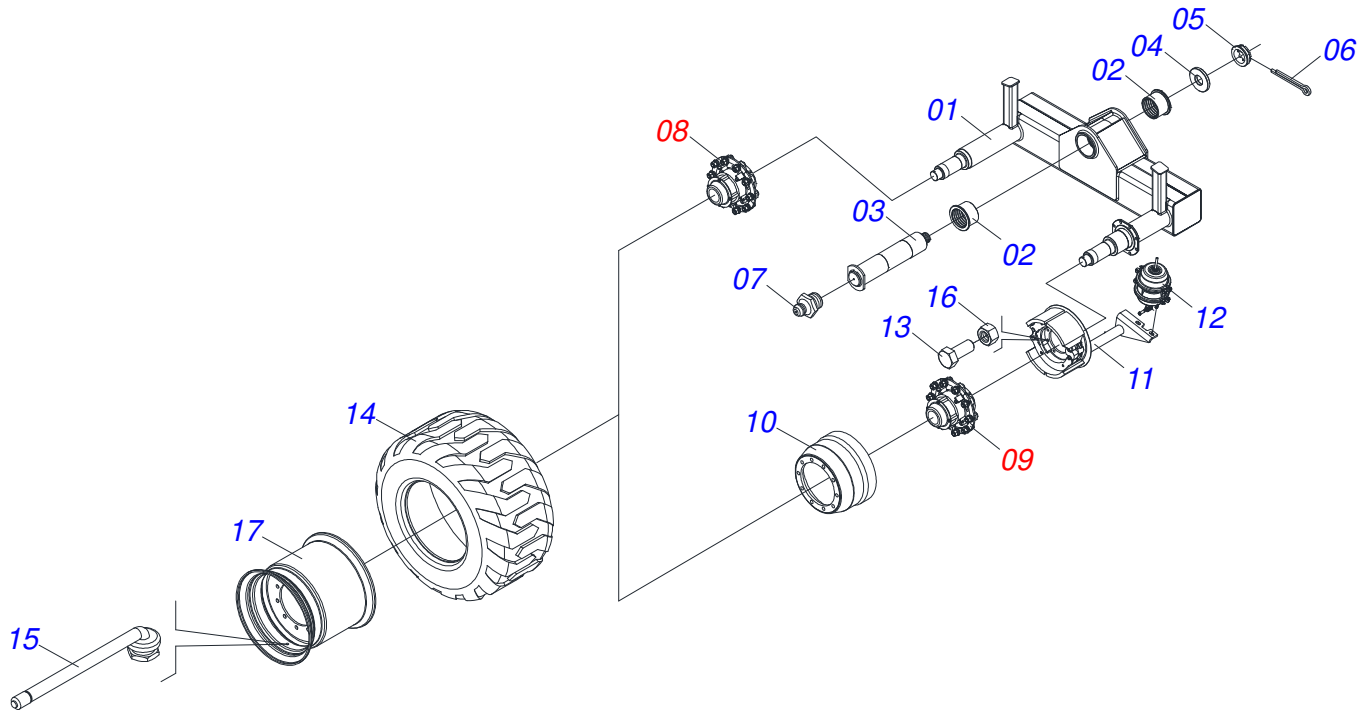
Item	Code	Description	See page	QT
01	0521050366	LEFT AND RIGHT BALANCE SHEET	39	01
02	0531016429	BUSHING		02
03	0521062517	PIVOT SHAFT		01
04	0551012036	FLAT WASHER		01
05	0502040080	FLANGE NUT R.2.1/2 UN		01
06	0503012213	1/4" COTTERPIN		01
07	0503010002	1800 GREASE FITTING		01
08	0511048127	WHEEL HUB	41	01
09	0511045858	WHEEL HUB ASSY WITH BRAKE	40	01
10	0502020688	BRAKE DRUM		01
11	0503014052	BRAKE		01
12	0503014056	SPRING BRAKE TUBE		01
13	0503012412	5/8 UNC SELF LOCKING NUT		08
14	0503010232	5/8" X 1.3/4" BOLT		08



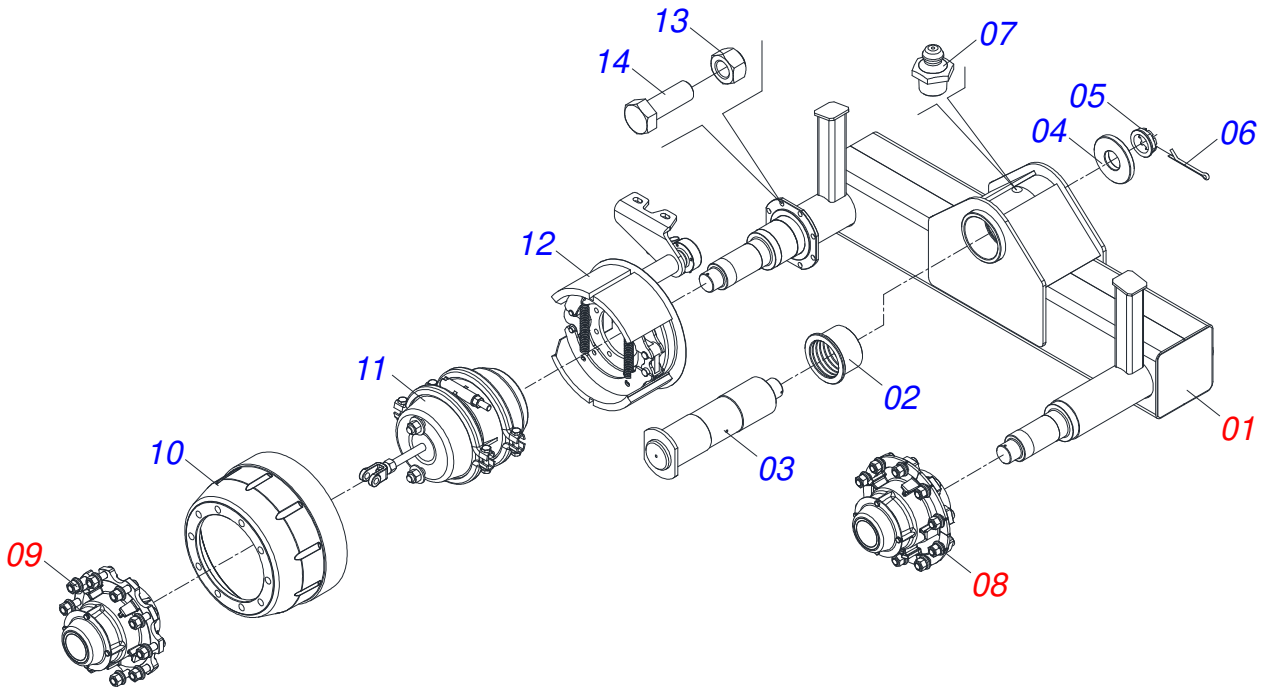
Item	Code	Description	See page	QT
01	0521061645	SKEP		01
02	0511067982	PIVOT SHAFT BOX CYLINDER		02
03	0503010002	1800 GREASE FITTING		02
04	0503010834	1/2 X 1 BOLT		02
05	0503010019	1/2" SPRING WASHER		02
06	0511067601	COVER DOOR		01
07	0521010553	0.5" X 3" COUPLING SHAFT		02
08	0503010257	1/8" X 1" COTTERPIN		02
09	0503030168	HAIR PIN		01
10	0503011423	RING		01
11	0561016687	LOGO BRAND CIVEMASA BASKET TAC 10500		02
12	0503010001	3.2 X 5.5 RIVET		24



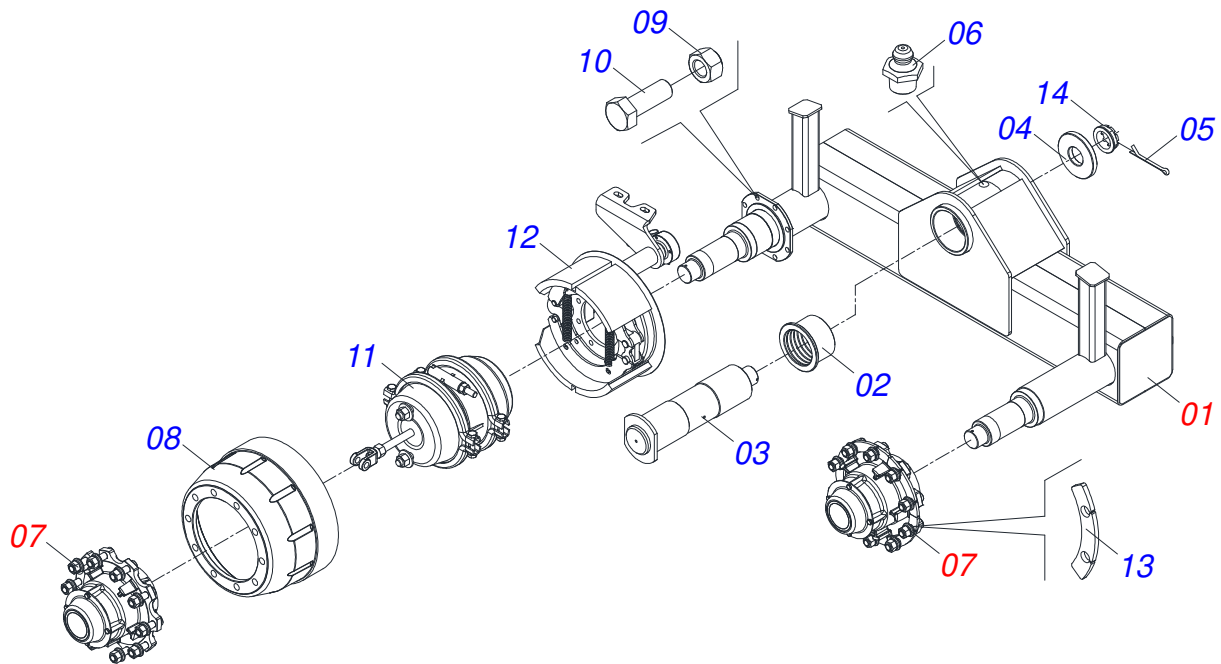
Item	Code	Description	See page	QT
001	0521060738	BASKET		01
002	0511067982	PIVOT SHAFT BOX CYLINDER		02
003	0503010002	1800 GREASE FITTING		02
004	0503010834	1/2 X 1 BOLT		02
005	0503010019	1/2" SPRING WASHER		02
006	0511067601	COVER DOOR		01
007	0521010553	0.5" X 3" COUPLING SHAFT		02
008	0503010257	1/8" X 1" COTTERPIN		02
009	0503030168	HAIR PIN		01
010	0503011423	RING		01
011	0561016687	LOGO BRAND CIVEMASA BASKET TAC 10500		02
012	0503010001	3.2 X 5.5 RIVET		24



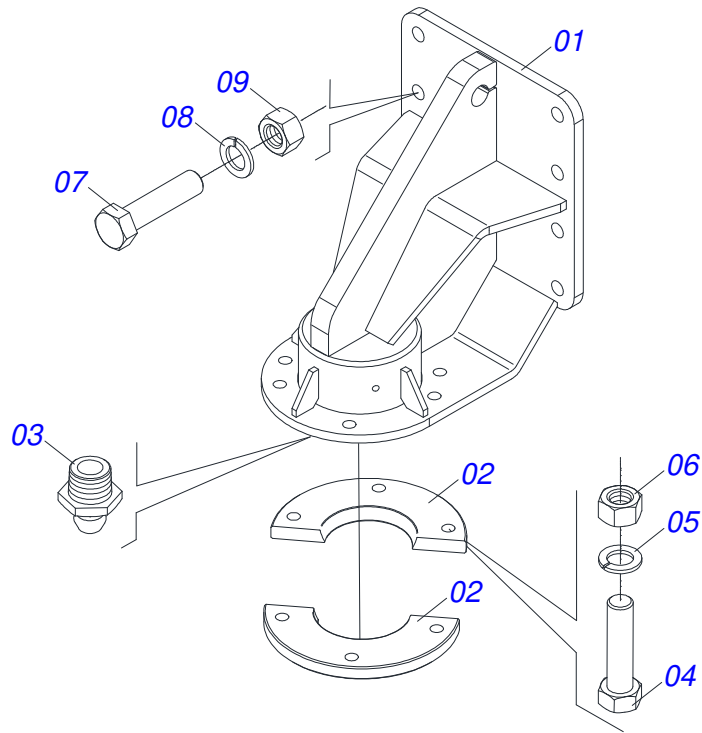
Item	Code	Description	See page	QT
01	0521062004	LEFT ROCKER ARM		01
02	0531016429	BUSHING		02
03	0511067869	PIVOT SHAFT		01
04	0551012036	FLAT WASHER		01
05	0502040080	FLANGE NUT R.2.1/2 UN		01
06	0503012213	1/4" COTTERPIN		01
07	0503010002	1800 GREASE FITTING		01
08	0511048127	WHEEL HUB	41	01
09	0511045858	WHEEL HUB ASSY WITH BRAKE	40	01
10	0502020688	BRAKE DRUM		01
11	0503014053	BREAK		01
12	0503014056	SPRING BRAKE TUBE		01
13	0503010232	5/8" X 1.3/4" BOLT		08
14	0503015483	TIRE 600/50-22.5 TL T404 168A8		02
15	0503016045	VALVE		02
16	0503012412	5/8 UNC SELF LOCKING NUT		08
17	0503015989	FULL WHEEL		02



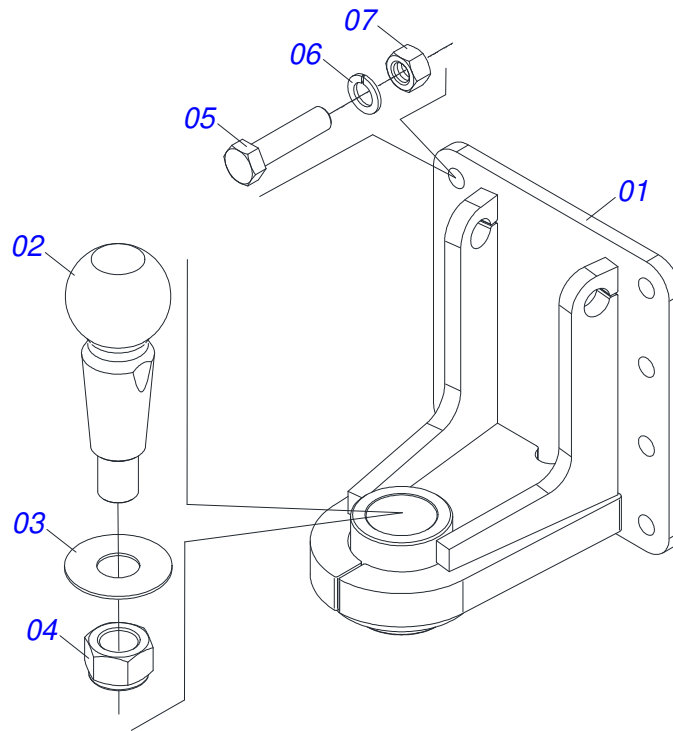
Item	Code	Description	See page	QT
01	0521050366	LEFT AND RIGHT BALANCE SHEET	39	01
02	0531016429	BUSHING		02
03	0521062517	PIVOT SHAFT		01
04	0551012036	FLAT WASHER		01
05	0502040080	FLANGE NUT R.2.1/2 UN		01
06	0503012213	1/4" COTTERPIN		01
07	0503010002	1800 GREASE FITTING		01
08	0511048127	WHEEL HUB	41	01
09	0511045858	WHEEL HUB ASSY WITH BRAKE	40	01
10	0502020688	BRAKE DRUM		01
11	0503014053	BREAK		01
12	0503014056	SPRING BRAKE TUBE		01
13	0503012412	5/8 UNC SELF LOCKING NUT		08
14	0503010232	5/8" X 1.3/4" BOLT		08



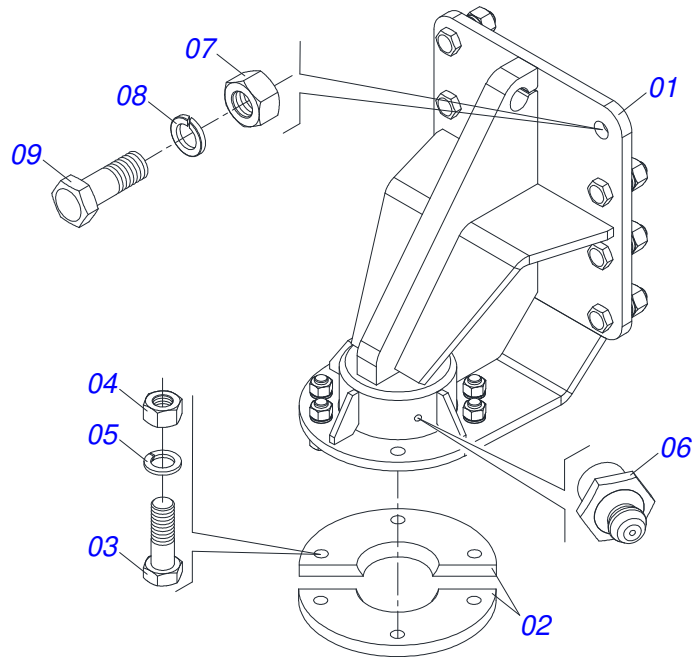
Item	Code	Description	See page	QT
01	0521050366	LEFT AND RIGHT BALANCE SHEET	39	01
02	0531016429	BUSHING		02
03	0521062517	PIVOT SHAFT		01
04	0551012036	FLAT WASHER		01
05	0503012213	1/4" COTTERPIN		01
06	0503010002	1800 GREASE FITTING		01
07	0511045858	WHEEL HUB ASSY WITH BRAKE	40	02
08	0502020688	BRAKE DRUM		01
09	0503012412	5/8 UNC SELF LOCKING NUT		08
10	0501010100	SCREW 5/8 UNC X 2 CS G.5 ZN		08
11	0503014053	BREAK		01
12	0503014056	SPRING BRAKE TUBE		01
13	0561015521	FLANGE		10
14	0581013528	FLANGED NUT		01



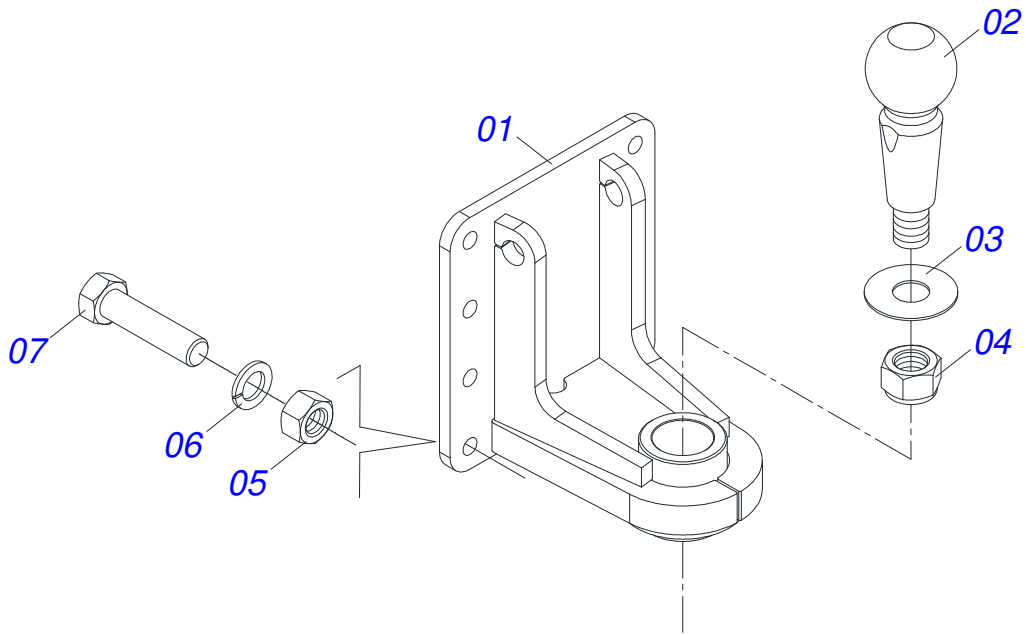
Item	Code	Description	See page	QT
01	0521061647	HITCH FRONT		01
02	0561016436	FLANGE BI-LEAVING PIN BALL		02
03	0503010002	1800 GREASE FITTING		01
04	0501010100	SCREW 5/8 UNC X 2 CS G.5 ZN		06
05	0503010023	3/4" SPRING WASHER		06
06	0503010013	5/8" NUT		06
07	0501010125	3/4" X 2-1/2" BOLT		08
08	0503010023	3/4" SPRING WASHER		08
09	0503010014	3/4" NUT		08



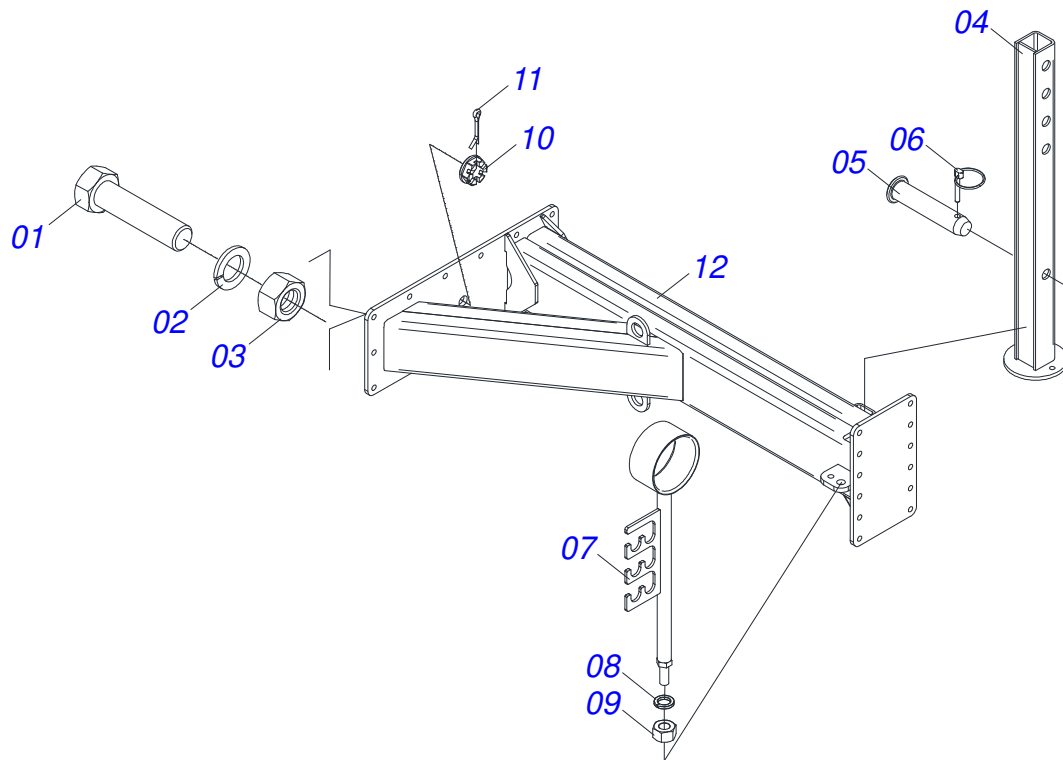
Item	Code	Description	See page	QT
01	0521061361	HITCH BALL REAR		01
02	0561016437	HITCH PIN		01
03	0521011721	1.6" X 3.94" X 0.12" WASHER		01
04	0503010290	SELF ADJUSTING 1.1/2" UNF NUT		01
05	0501010125	3/4" X 2-1/2" BOLT		08
06	0503010023	3/4" SPRING WASHER		08
07	0503010014	3/4" NUT		08



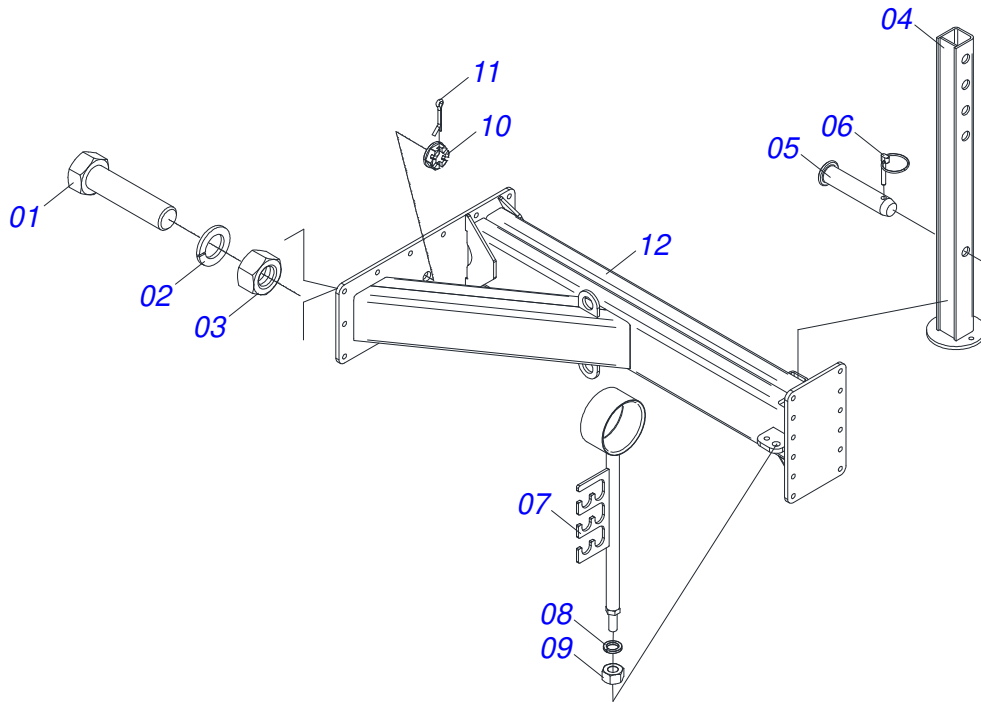
Item	Code	Description	See page	QT
01	0521061354	HITCH BALL FRONT		01
02	0551016939	FLANGE BI-LEAVING		02
03	0501010100	SCREW 5/8 UNC X 2 CS G.5 ZN		06
04	0503010013	5/8" NUT		06
05	0503010023	3/4" SPRING WASHER		08
06	0503010002	1800 GREASE FITTING		01
07	0503010014	3/4" NUT		08
08	0503010027	5/8" SPRING WASHER		06
09	0501010125	3/4" X 2-1/2" BOLT		08



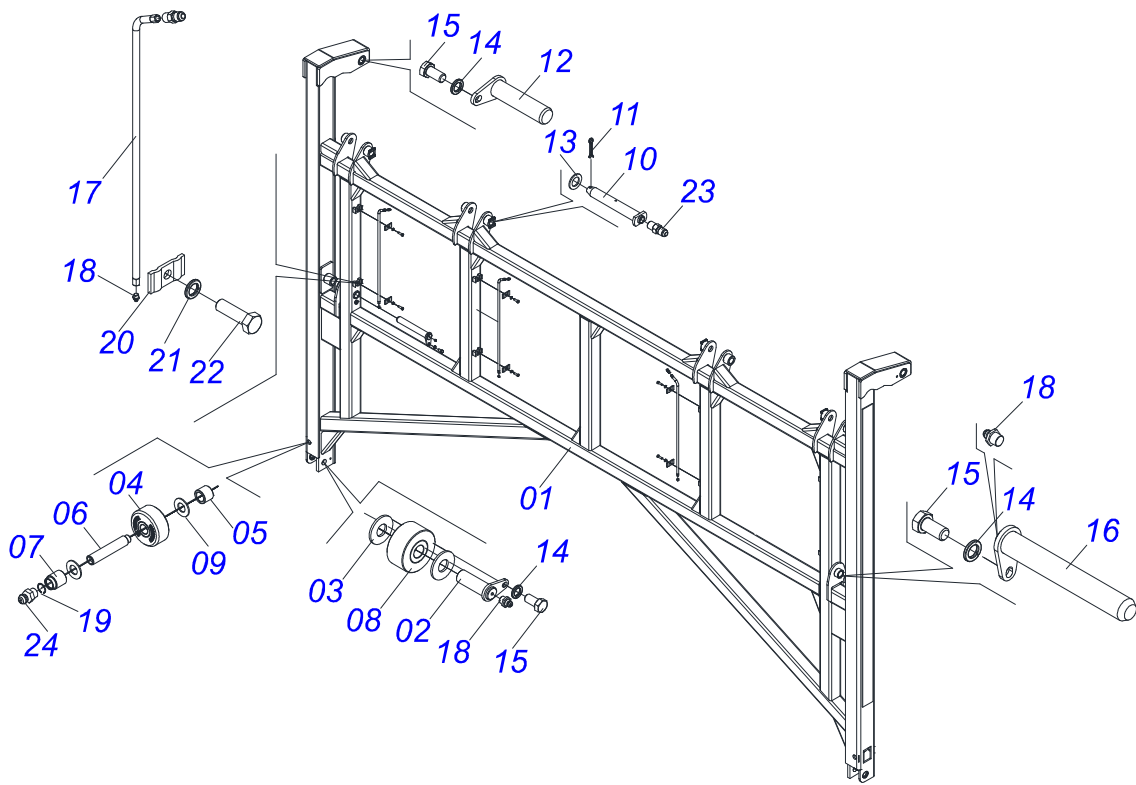
Item	Code	Description	See page	QT
01	0521061361	HITCH BALL REAR		01
02	0541015756	HITCH PIN MALE		01
03	0521011721	1.6" X 3.94" X 0.12" WASHER		01
04	0503010290	SELF ADJUSTING 1.1/2" UNF NUT		01
05	0503010023	3/4" SPRING WASHER		08
06	0503010014	3/4" NUT		08
07	0501010125	3/4" X 2-1/2" BOLT		08



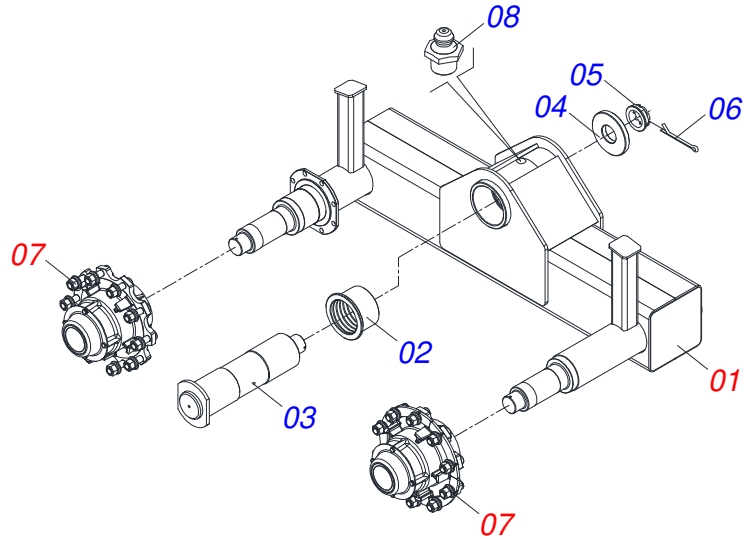
Item	Code	Description	See page	QT
01	0501010125	3/4" X 2-1/2" BOLT		14
02	0503010023	3/4" SPRING WASHER		14
03	0503010014	3/4" NUT		14
04	0521061378	STRUT		01
05	0521010579	COUPLING SHAFT		01
06	0503030085	LOCK PIN		01
07	0521061379	HOSE HOLDER		01
08	0503010023	3/4" SPRING WASHER		01
09	0503010014	3/4" NUT		01
10	0501011301	1.1/2 UNC 6FPP 2.5/16 NUT		01
11	0503010010	1/4" X 2.1/2" COTTERPIN		01
12	0521061442	HEADER OFFSET		01



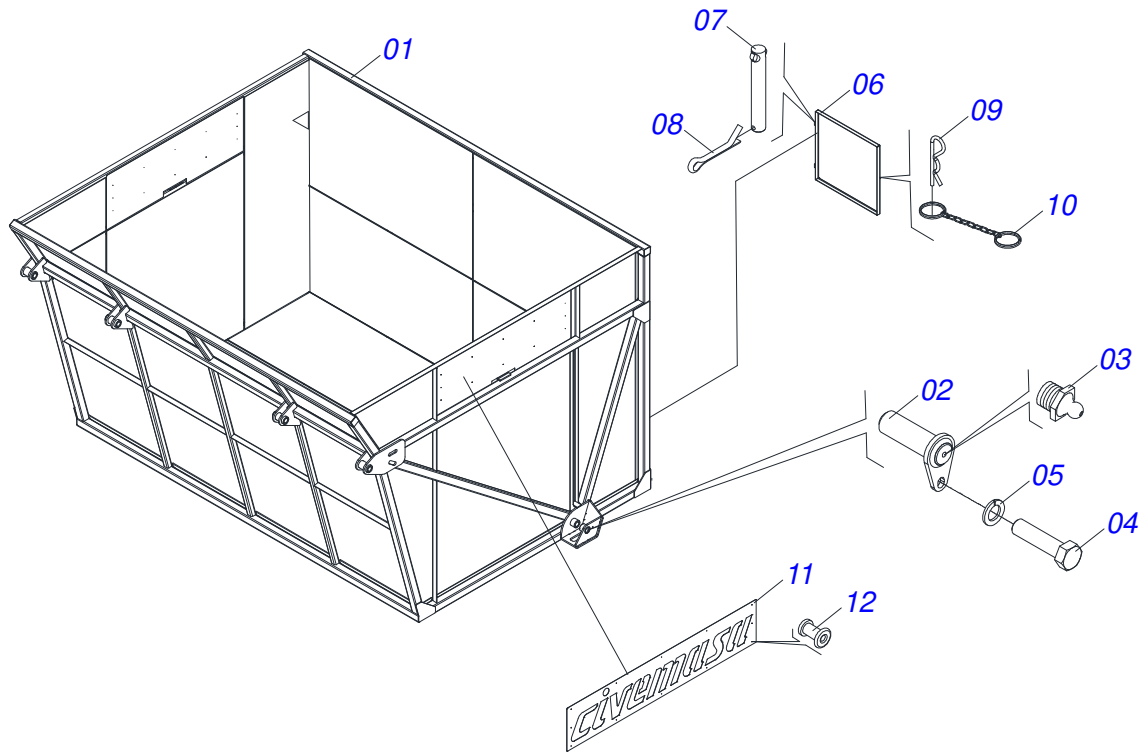
Item	Code	Description	See page	QT
01	0501010125	3/4" X 2-1/2" BOLT		14
02	0503010023	3/4" SPRING WASHER		14
03	0503010014	3/4" NUT		14
04	0521061378	STRUT		01
05	0521010579	COUPLING SHAFT		01
06	0503030085	LOCK PIN		01
07	0521061379	HOSE HOLDER		01
08	0503010023	3/4" SPRING WASHER		01
09	0503010014	3/4" NUT		01
10	0501011301	1.1/2 UNC 6FPP 2.5/16 NUT		01
11	0503010010	1/4" X 2.1/2" COTTERPIN		01
12	0521061349	HEADER		01



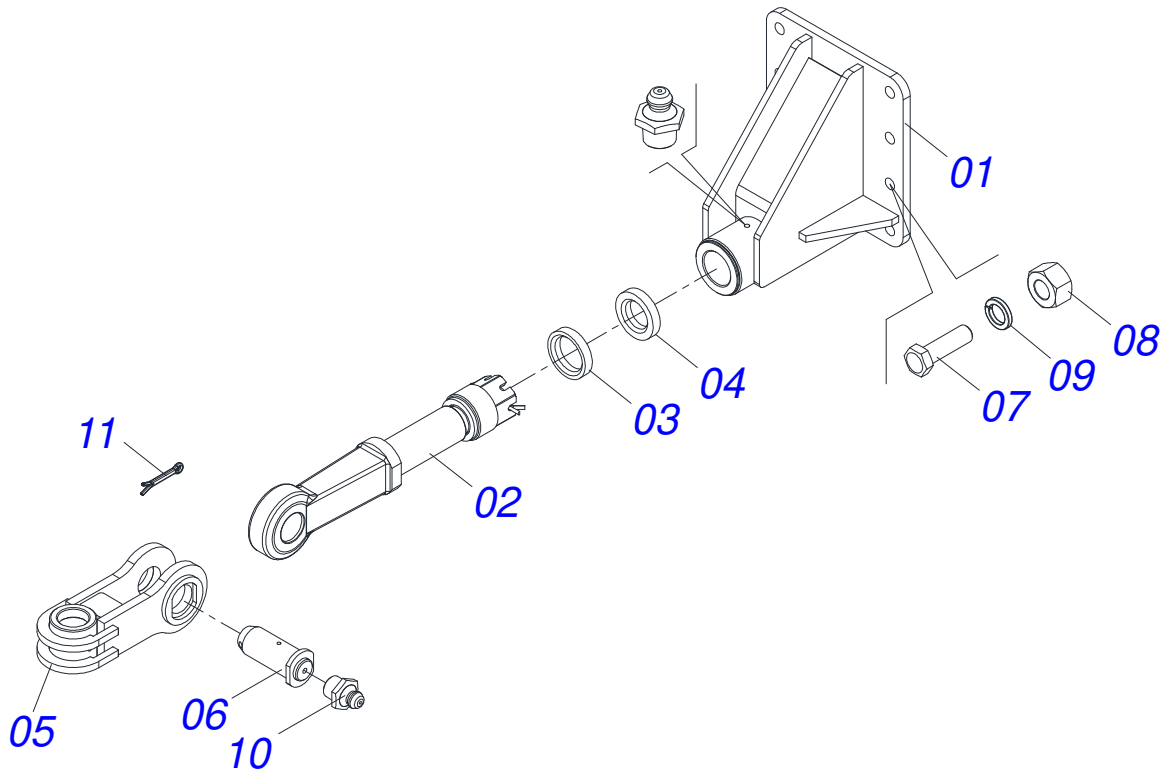
Item	Code	Description	See page	QT
01	0511069074	LIFT		01
02	0511068766	PIN POULIE 38,1 X 110		02
03	0551015940	FLAT WASHER		04
04	0501110540	PULLEY SIDE ELEVATION		02
05	0551014873	SLEEVE		02
06	0551014860	PIN LOWER SIDE LIFT		02
07	0551014874	SLEEVE		02
08	0501110526	LOWER PULLEY		02
09	0551014872	FLAT WASHER		04
10	0511068336	PIVOT SHAFT SKEP		04
11	0503010534	3/8 X 2-1/2 COTTERPIN		04
12	0511068767	PIN FIXER		02
13	0501012916	FLAT WASHER 38,50 X 66 X 4,75 ZN		04
14	0503010019	1/2" SPRING WASHER		06
15	0503010834	1/2 X 1 BOLT		06
16	0511067983	PIVOT SHAFT		02
17	0511068768	GREASE TUBE LIFT		04
18	0503010002	1800 GREASE FITTING		08
19	0503014307	SEAL RING		02
20	0531011180	UPPER BODY CLIP		08
21	0503010025	3/8" SPRING WASHER		08
22	0503010751	C3/8" X 1.1/4" HEX BOLT G.5		08
23	0503012776	1/8" NF NIPPLE		08
24	0503010691	1/4" GREASE FITTING		02



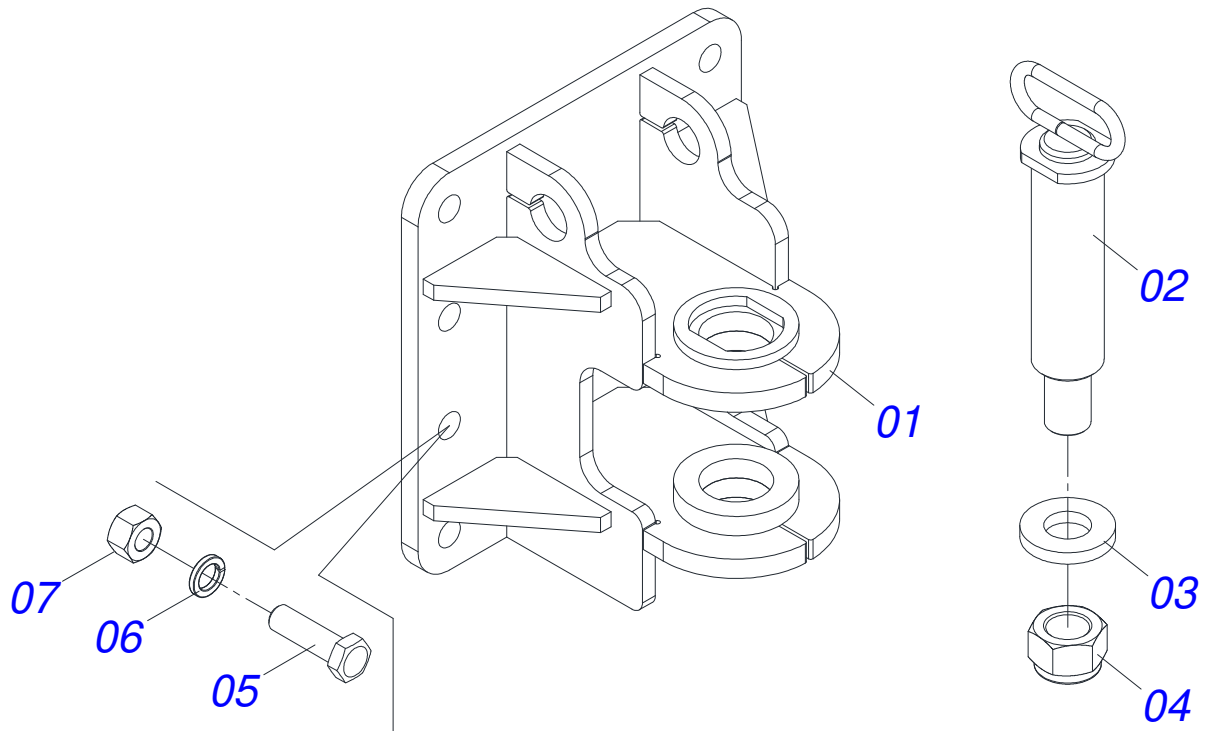
Item	Code	Description	See page	QT
01	0521050366	LEFT AND RIGHT BALANCE SHEET	39	01
02	0531016429	BUSHING		02
03	0521062517	PIVOT SHAFT		01
04	0551012036	FLAT WASHER		01
05	0581013528	FLANGED NUT		01
06	0503012213	1/4" COTTERPIN		01
07	0511045858	WHEEL HUB ASSY WITH BRAKE	40	02
08	0503010002	1800 GREASE FITTING		01



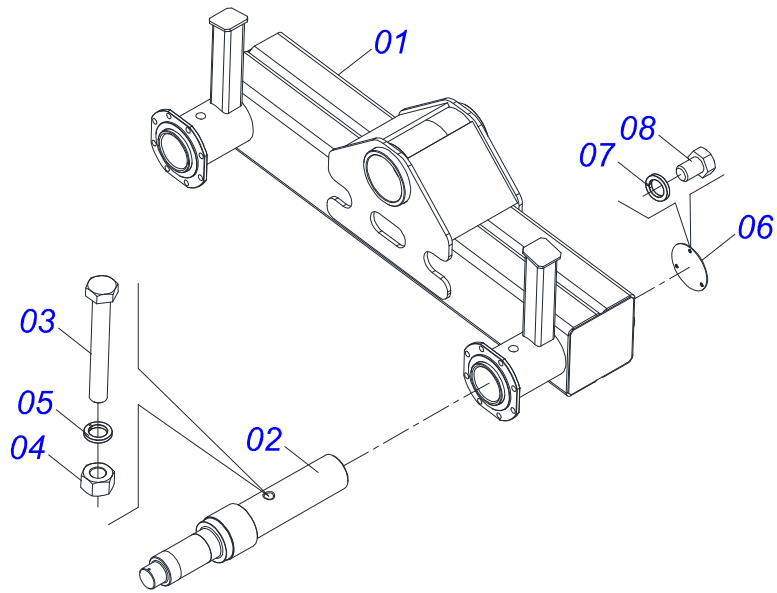
Item	Code	Description	See page	QT
001	0521060535	BASKET		01
002	0511067982	PIVOT SHAFT BOX CYLINDER		02
003	0503010002	1800 GREASE FITTING		02
004	0503010019	1/2" SPRING WASHER		02
005	0503010834	1/2 X 1 BOLT		02
006	0511069194	COVER		01
007	0521010553	0.5" X 3" COUPLING SHAFT		02
008	0503010257	1/8" X 1" COTTERPIN		02
009	0503030168	HAIR PIN		01
010	0503011423	RING		01
011	0561016687	LOGO BRAND CIVEMASA BASKET TAC 10500		02
012	0503010001	3.2 X 5.5 RIVET		24



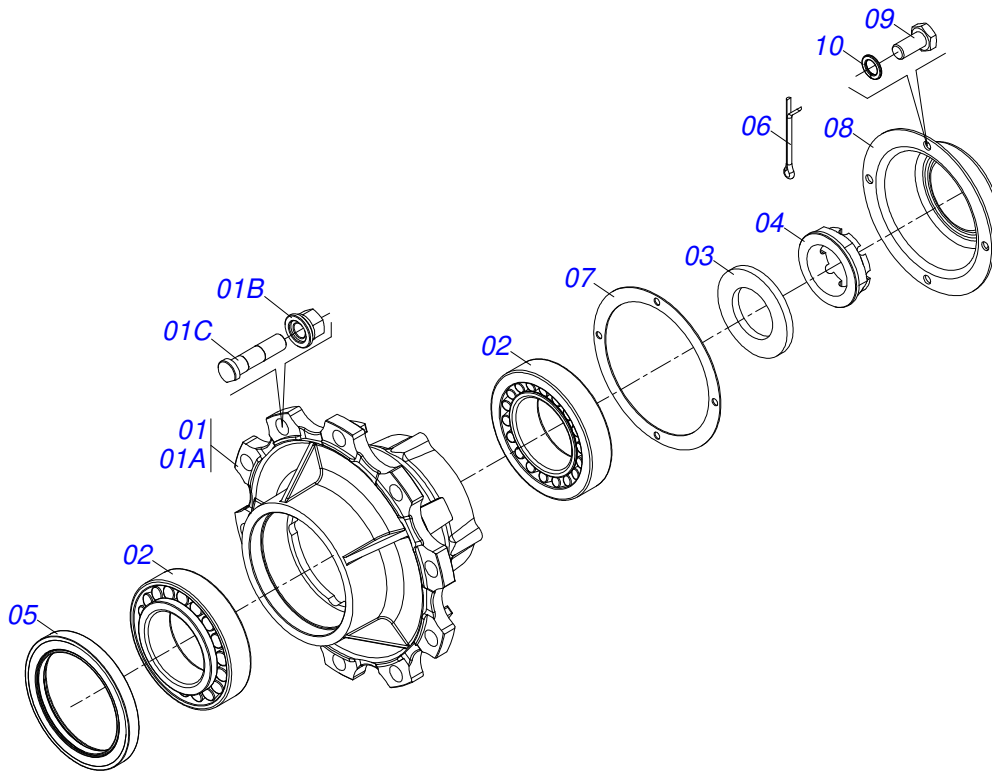
Item	Code	Description	See page	QT
01	0521061202	HITCH FRONT RACKET	01	01
02	0503061649	PONTEIRA HITCH SILPA	01	01
03	0551014852	FLAT WASHER	01	01
04	0551014853	FLAT WASHER	01	01
05	0511069237	HITCH INTERMEDIARY	01	01
06	0511069236	PIN ARTICULATION	01	01
07	0501010125	3/4" X 2-1/2" BOLT	08	08
08	0503010014	3/4" NUT	08	08
09	0503010023	3/4" SPRING WASHER	08	08
10	0503010002	1800 GREASE FITTING	02	02
11	0503010534	3/8 X 2-1/2 COTTERPIN	01	01



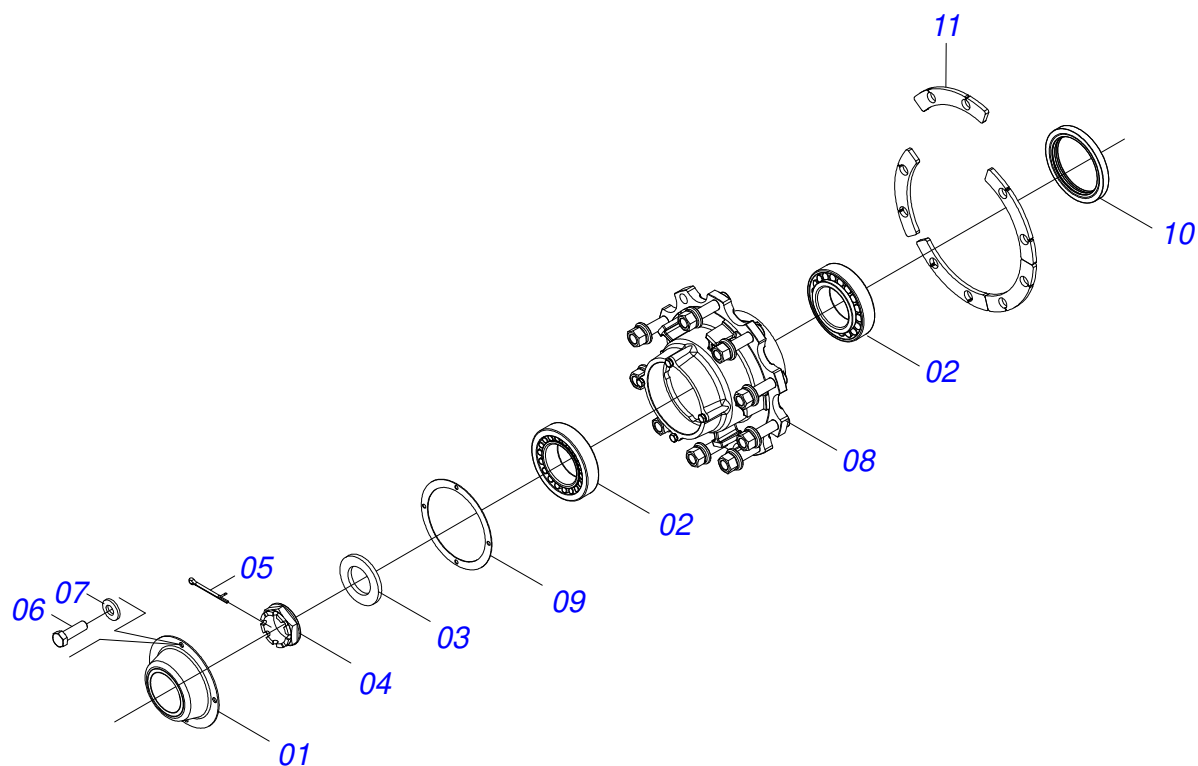
Item	Code	Description	See page	QT
01	0521061456	HITCH REAR RACKET		01
02	0511064850	HITCH PIN		01
03	0521013076	FLAT WASHER		01
04	0503010817	1.1/4" SELF LOCKING NUT		01
05	0501010125	3/4" X 2-1/2" BOLT		08
06	0503010023	3/4" SPRING WASHER		08
07	0503010014	3/4" NUT		08



Item	Code	Description	See page	QT
01	0521067334	LEFT/RIGHT BALANCE BODY		01
02	0581013527	CARRYING WHEELS AXLE		02
03	0501010219	1" X 7-1/2" BOLT		02
04	0501010059	1.5/8 NUT		02
05	0503010012	1" SPRING WASHER		02
06	0551010696	CARRYING WHEELS AXLE COVER		02
07	0503010025	3/8" SPRING WASHER		06
08	0503010206	3/8" X 1/2" BOLT		06



Item	Code	Description	See page	QT
01	0501110771	CARRYING WHEEL HUB		01
01A	0502012462	WHEEL HUB		01
01B	0503014048	22 X 1.5 HEX NUT		10
01C	0503014049	M22 X 1,5 X 89/97" BOLT		10
02	0503010118	32218 BEARING		02
03	0531019986	64 X 110 X 9.5 FLAT WASHER		01
04	0502040080	FLANGE NUT R.2.1/2 UN		01
05	0503013541	RETAINER		01
06	0503012213	1/4" COTTERPIN		01
07	0503013548	JOINT CORK		01
08	0503013549	HUB COVER		01
09	0503013546	BOLT SX MA5,8 M10X1,5X20ZA DI		04
10	0503013542	M10 SPRING WASHER		04



Item	Code	Description	See page	QT
01	0503013549	HUB COVER		01
02	0503010118	32218 BEARING		02
03	0531019986	64 X 110 X 9.5 FLAT WASHER		01
04	0502040080	FLANGE NUT R.2.1/2 UN		01
05	0503012213	1/4" COTTERPIN		01
06	0503013546	BOLT SX MA5,8 M10X1,5X20ZA DI		04
07	0503013542	M10 SPRING WASHER		04
08	0501110761	HUB AND BOLT		01
08A	0502012462	WHEEL HUB		01
08B	0503014050	22 X 1.5 BOLT		10
08C	0503014048	22 X 1.5 HEX NUT		10
09	0503013548	JOINT CORK		01
10	0503013541	RETAINER		01
11	0561015521	FLANGE		05



civemasa

Technical Publications | Elaboration and Revision
MARINA PEREZ NIZA

www.civemasa.com.br

